



OSMANLI OTOMOTİV SAN. VE TİC. LTD. ŞTİ.
Dolapdere San. Sit. 13. Ada No:22 İkitelli / İSTANBUL
Phone: +90 212 671 07 71 Fax: +90 212 671 06 56
e-mail: info@Lkwexpert.com

WWW.LKWEXPERT.COM

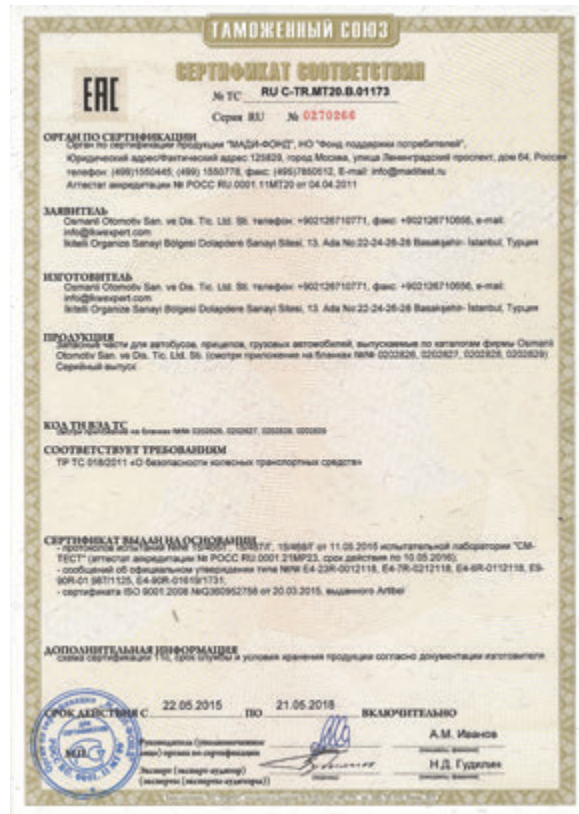
TruckExpert

2016

TruckExpert
QUALITY TRUCK & TRAILER PARTS



2016
CALIPER CATALOGUE



THIS WE PROMISE.

Founded 2010 by our parent company "**Osmanlı Otomotiv**" we quickly established the brand "**TruckExpert**" as a leading supplier of highquality spare parts for truck and trailers. Our luxurious service, thorough commitment to quality and fast, reliable delivery has since become greatly valued by customers throughout the world.

Our parent company's decades of experience combined with us keeping our ears closely on the pulse of the market has enabled us to optimize our product range - and operating three points of sales, four warehouses and one manufactory in **Turkey** as well as one sales and distribution office in **Germany**, allows us to offer exceptionally fast delivery and the level of service expected by professionals.

By tightly controlling all aspects of manufacturing and distribution as well as closely following technological advances we are able to make exceptionally speedy and accurate deliveries to our customers, utilizing advanced technologies such as **MRP** in manufacturing and **ERP** in warehouse management.

Customer demands and needs are efficiently evaluated and professionally met using advanced **CRM systems and methods**, establishing and maintaining close relationships with contractors and customers.

Furthermore, we aim to make our service even faster and more efficient by opening our warehouses to customers employing **B2B strategies** in 2015. Striving to always stay ahead, we will continue to take bold and confident and constantly improve our services.

DAS IST UNSER VERSPRECHEN.

Gegründet im Jahr 2010 durch unsere Muttergesellschaft "**Osmanlı Otomotiv**", wir die Marke "**TruckExpert**" führenden Namen im Ersatzteilemarkt für LKWs und Nutzfahrzeuge ausgebaut.

Unseren hohen Qualitätsanspruch, komfortablen Service und schnelle, zuverlässige Lieferung schätzen Kunden auf der ganzen Welt.

Aufgrund der langjährigen Erfahrung unserer seit 1992 bestehenden Muttergesellschaft und unserer Nähe zu internationalen Märkten, sind wir in der Lage, stets auf der Höhe der Technik zu bleiben und zeitgerecht genau die Teile zu produzieren, die der Markt erfordert.

Ein Netzwerk aus drei Verkaufsstellen, vier Logistikzentren und einer Manufaktur in der **Türkei**, sowie einem Vertriebs- und Logistikbüro in **Deutschland**, erlaubt es uns, effizient und termingerecht zu produzieren und zu vertreiben. Und das weltweit mit gewohnt hohem Anspruch an Service, Zuverlässigkeit und Schnelligkeit.

Die dichte Integration unserer Produktions- und Logistiksysteme sowie unsere direkte Kontrolle aller Abläufe via moderner Technologien wie **MRP** im Produktionsbereich und **ERP** in der Lagerwirtschaft, ermöglichen es uns, Kundenansprüche mit der Effizienz, Qualität und Zuverlässigkeit zu erfüllen, die TruckExpert zu einer führenden Marke und einem von zahlreichen Kunden geschätzten Partner gemacht haben. Gleichzeitig nutzen wir fortschrittliche **CRM-Systeme und -Methoden**, um enge Beziehungen zu Kunden, Partnern und Zulieferern zu pflegen und selbst höchste Anforderungen zu übertreffen.

Im Jahre 2015 wollen wir unseren Grad an Kundenservice und Effizienz durch die intelligente Nutzung von **B2B-Strategien** nochmals steigern und wir werden in der Zukunft stets neue, innovative Wege finden, unseren Kunden noch komfortableren Service, noch höhere Qualität und noch bessere Zuverlässigkeit zu bieten.



OTHER PRODUCTS



SUSPENSION PARTS AND REPAIR KITS



TRAILER SUSPENSION PARTS



STEERING PARTS



AIR SPRING



BRAKE ADJUSTERS



COOLING SYSTEMS



OTHER PRODUCTS





PRODUCTION

TruckExpert X

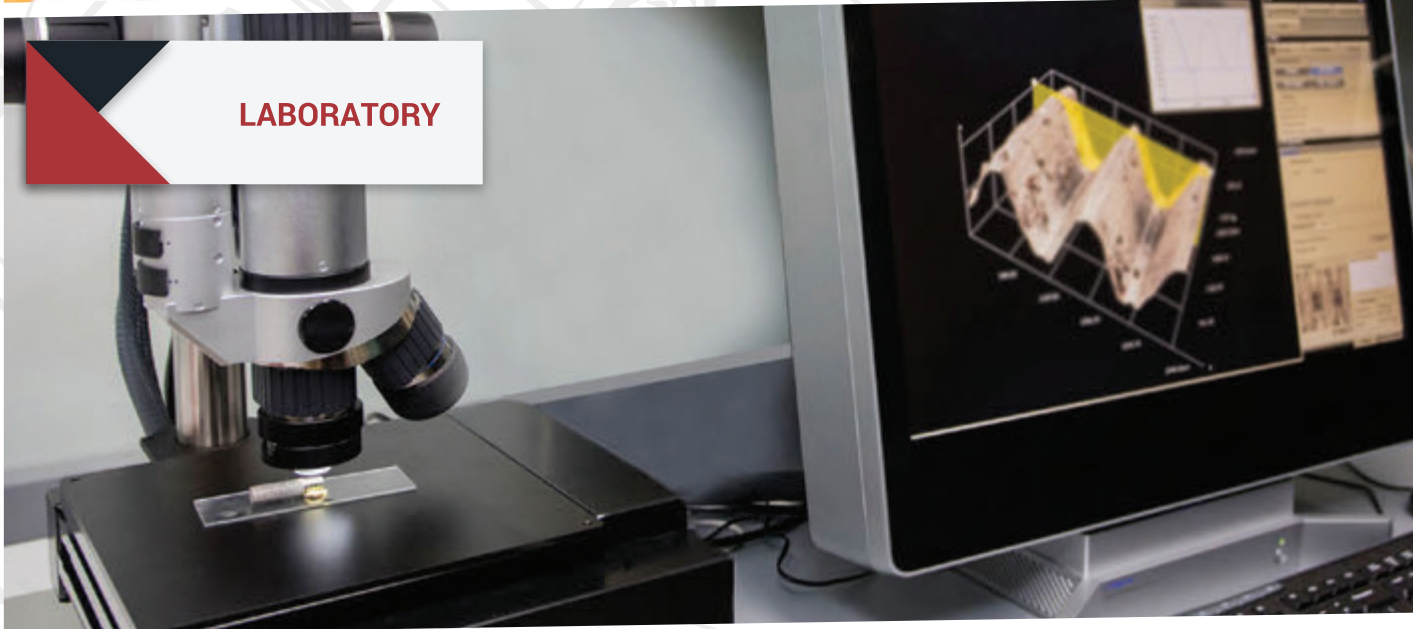




RESEARCH AND DEVELOPMENT



LABORATORY



WAREHOUSE AND SHIPMENT

TruckExpert X



TruckExpert X

WAREHOUSE AND SHIPMENT




KNORR	17 - 155
MERITOR	157 - 329
WABCO	331 - 397
HALDEX	399 - 447
BPW	449 - 460
HYDRAULIC	461 - 471
Z-CAM	473 - 482
IVECO	483 - 510




KNORR


www.Lkwexpert.com

Truckexpert Nr	Description	OEM Nr	Application
346 00 135	Caliper Calibration Bolt - (3 Thread)		SB5...
			


Truckexpert Nr	Description	OEM Nr	Application
346 00 049	Adjusting Mechanism Shaft		SB5...
			


Truckexpert Nr	Description	OEM Nr	Application
346 00 963	Caliper Calibration Shaft Chain (12 link)		SB5...
			

Truckexpert Nr	Description	OEM Nr	Application
346 01 595	Pinion Shaft		SB5...
			

Truckexpert Nr	Description	OEM Nr	Application			
346 00 582	Pinion Shaft Set		SB5...			
						
		<table border="1"> <tr> <td>346 01 595</td> <td>Pinion Shaft</td> <td>5</td> </tr> </table>	346 01 595	Pinion Shaft	5	
346 01 595	Pinion Shaft	5				

Truckexpert Nr	Description	OEM Nr	Application
346 00 577	Caliper Lever		SB5...
			

Truckexpert Nr	Description	OEM Nr	Application			
346 00 064	Needle Bearing Set		SB5...			
						
		<table border="1"> <tr> <td>346 01 584</td> <td>Needle Bearing</td> <td style="text-align: center;">2</td> </tr> </table>	346 01 584	Needle Bearing	2	
346 01 584	Needle Bearing	2				

Truckexpert Nr	Description	OEM Nr	Application			
346 00 062	Needle Bearing Set		SB5...			
						
		<table border="1"> <tr> <td>346 01 578</td> <td>Needle Bearing Set</td> <td style="text-align: center;">2</td> </tr> </table>	346 01 578	Needle Bearing Set	2	
346 01 578	Needle Bearing Set	2				

Truckexpert Nr	Description	OEM Nr	Application
346 00 416	Caliper Plastic Cover - (Without Sensor)		SB5...
			

Truckexpert Nr	Description	OEM Nr	Application
----------------	-------------	--------	-------------

346 00 417 Caliper Plastic Cover - (2 Cable Sensor)

SB5...



Truckexpert Nr	Description	OEM Nr	Application
----------------	-------------	--------	-------------

346 00 418 Caliper Plastic Cover - (3 Cable Sensor)

SB5...



Truckexpert Nr	Description	OEM Nr	Application
----------------	-------------	--------	-------------

346 02 069 Caliper Plastic Cover Gasket

SB5...



Truckexpert Nr	Description	OEM Nr	Application
----------------	-------------	--------	-------------


346 00 576 Shaft Housing

SB5...



346 01 140	Shaft Housing Casting	1
346 01 594	Spring	2

Truckexpert Nr	Description	OEM Nr	Application
346 00 589	Caliper Support Seal Set		SB5...



346 01 573	Caliper Support Seal	5
-------------------	----------------------	---


Truckexpert Nr	Description	OEM Nr	Application
346 00 081	Caliper Tappet & Boot Set		SB5...



346 00 923	Thrust Part With Bellow - (74 mm)	1
346 00 155	Bush - Ø 16 x 18 / 10 mm	1
346 01 541	Grease - 5 g	1

346 00 081/1 Caliper Tapped & Boot Set Without Chrome Plated Tappets

Truckexpert Nr	Description	OEM Nr	Application
346 00 080	Caliper Tappet & Boot Set	11370760065	SB5...



346 00 923	Thrust Part With Bellow - (74 mm)	1
346 00 146	Shaft Housing Boot	1
346 00 155	Bush - Ø 16 x 18 / 10 mm	1
346 01 541	Grease - 5 g	1

346 00 080/1 Caliper Tapped & Boot Set Without Chrome Plated Tappets

Truckexpert Nr	Description	OEM Nr	Application
346 00 079	Caliper Tappet Set		SB5...



346 00 923	Thrust Part With Bellow - (74 mm)	2
346 00 155	Bush - Ø 16 x 18 / 10 mm	2
346 01 541	Grease - 5 g	1

346 00 079/1 Caliper Tapped Set Without Chrome Plated Tappets

SB5/SN5

Truckexpert Nr	Description	OEM Nr	Application
----------------	-------------	--------	-------------

346 00 078 Caliper Tappet & Boot Set - (74 mm)

SB5...



346 00 923	Thrust Part With Bellow - (74 mm)	2
346 00 146	Shaft Housing Boot	2
346 00 155	Bush - Ø 16 x 18 / 10 mm	2
346 01 541	Grease - 5 g	1

346 00 078/1 Caliper Tapped & Boot Set - (74 mm) Without Chrome Plated Tappets

Truckexpert Nr	Description	OEM Nr	Application
----------------	-------------	--------	-------------

346 00 121 Caliper Pin & Boot Set

SB5...



346 00 923	Thrust Part With Bellow - (74 mm)	2
346 00 155	Bush - Ø 16 x 18 / 10 mm	2
346 00 198	Pin Boot - (Red)	1
346 01 539	Ring - (White)	1
346 00 150	Bellow Cap - (Black)	1
346 01 540	Clamp	1
346 00 942	Rubber Bush - Ø 34 x 40 / 50 mm	1
346 01 541	Grease - 5 g	1

346 00 121/1 Caliper Pin & Boot Set Without Chrome Plated Tappets

Truckexpert Nr	Description	OEM Nr	Application
----------------	-------------	--------	-------------

346 01 116 Caliper Pin Boot & Cap Set

11350470061

SB5...



346 00 198	Pin Boot - (Red)	1
346 01 539	Ring - (White)	1
346 00 150	Bellow Cap - (Black)	1
346 01 540	Clamp	1

Truckexpert Nr	Description	OEM Nr	Application
346 00 555	Caliper Pin & Boot Set		SB5...



346 00 923	Thrust Part With Bellow - (74 mm)	1
346 00 146	Shaft Housing Boot	1
346 00 155	Bush - Ø 16 x 18 / 10 mm	1
346 00 198	Pin Boot - (Red)	1
346 01 539	Ring - (White)	1
346 00 150	Bellow Cap - (Black)	1
346 00 942	Rubber Bush - Ø 34 x 40 / 50 mm	1
346 01 541	Grease - 5 g	1

346 00 555/1 Caliper Pin & Boot Set Without Chrome Plated Tappets

Truckexpert Nr	Description	OEM Nr	Application
346 01 390	Caliper Pin & Boot Set		SB5...



346 00 923	Thrust Part With Bellow - (74 mm)	1
346 00 942	Rubber Bush - Ø 34 x 40 / 50 mm	1
346 00 155	Bush - Ø 16 x 18 / 10 mm	1
346 00 198	Pin Boot - (Red)	1
346 01 539	Ring - (White)	1
346 00 150	Bellow Cap - (Black)	1
346 01 540	Clamp	1
346 01 541	Grease - 5 g	1

346 01 390/1 Caliper Pin & Boot Set Without Chrome Plated Tappets

Truckexpert Nr	Description	OEM Nr	Application
346 00 112	Caliper Short Pin Repair Kit		SB5...



346 00 130	Caliper Pin - Ø 34 / 80 mm	1
346 00 942	Rubber Bush - Ø 34 x 40 / 50 mm	1
346 01 541	Grease - 5 g	1

346 00 112/1 Caliper Short Pin Repair Kit Without Chrome Plated Pins

Truckexpert Nr	Description	OEM Nr	Application
346 00 114	Caliper Short Pin Repair Kit	K000697	SB5...



346 00 129	Caliper Pin - Ø 32 / 80 mm	1
346 01 545	Rubber Bush	1
346 01 546	Plastic Ring	1
346 01 547	Stop Ring - Ø 39 mm	1

346 00 114/1 Caliper Short Pin Repair Kit Without Chrome Plated Pins

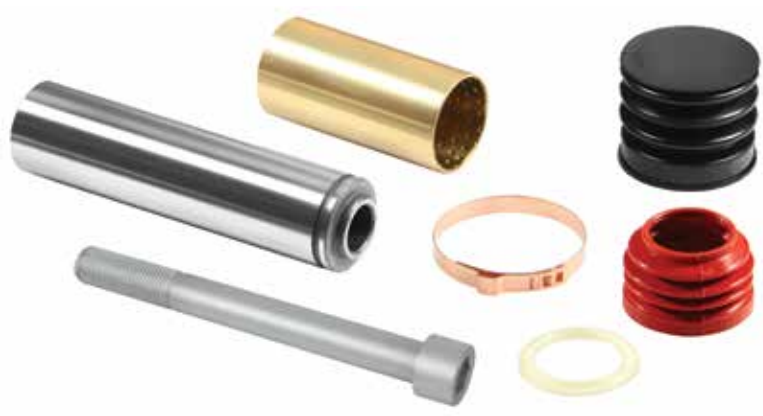
Truckexpert Nr	Description	OEM Nr	Application
346 00 111	Caliper Short Pin Repair Kit	I1368470064	SB5...



346 00 130	Caliper Pin - Ø 34 / 80 mm	1
346 00 139	Pin Bolt - M16 x 1.5 / 85 mm	1
346 00 942	Rubber Bush - Ø 34 x 40 / 50 mm	1
346 01 541	Grease - 5 g	1

346 00 111/1 Caliper Short Pin Repair Kit Without Chrome Plated Pins

Truckexpert Nr	Description	OEM Nr	Application
346 00 098	Caliper Long Pin Repair Kit	K000935	SB5...



346 00 134	Caliper Pin - Ø 36 / 145 mm	1
346 00 142	Pin Bolt - M16 x 1.5 / 150 mm	1
346 00 154	Bush - Ø 36 x 40 / 82 mm	1
346 00 198	Pin Boot - (Red)	1
346 01 539	Ring - (White)	1
346 00 150	Bellow Cap - (Black)	1
346 01 540	Clamp	1
346 01 541	Grease - 5 g	1

346 00 098/1 Caliper Long Pin Repair Kit Without Chrome Plated Pins

Truckexpert Nr	Description	OEM Nr	Application
346 00 438	Caliper Pin Repair Kit	K001274	SB5...



346 00 838	Caliper Pin - Ø 36 / 102 mm	1
346 00 129	Caliper Pin - Ø 32 / 80 mm	1
346 00 139	Pin Bolt - M16 x 1.5 / 85 mm	1
346 00 138	Pin Bolt - M16 x 1.5 / 80 mm	1
346 00 873	Bush - Ø 36 x 40 / 75 mm	1
346 01 545	Rubber Bush	1
346 01 546	Plastic Ring	1
346 01 547	Stop Ring - Ø 39 mm	1
346 00 166	Pin Bolt Ring	1
346 00 198	Pin Boot - (Red)	1
346 01 539	Ring - (White)	1
346 00 900	Pin Cap - Ø 40 / 11 mm	1
346 01 541	Grease - 5 g	1

346 00 438/1 Caliper Pin Repair Kit Without Chrome Plated Pins

Truckexpert Nr	Description	OEM Nr	Application
346 00 566	Caliper Pin Repair Kit	II369100062	SB5...



346 00 134	Caliper Pin - Ø 36 / 145 mm	1
346 00 130	Caliper Pin - Ø 34 / 80 mm	1
346 00 142	Pin Bolt - M16 x 1.5 / 150 mm	1
346 00 139	Pin Bolt - M16 x 1.5 / 85 mm	1
346 00 154	Bush - Ø 36 x 40 / 82 mm	1
346 00 942	Rubber Bush - Ø 34 x 40 / 50 mm	1
346 00 198	Pin Boot - (Red)	1
346 01 539	Ring - (White)	1
346 00 150	Bellow Cap - (Black)	1
346 01 540	Clamp	1
346 01 541	Grease - 5 g	1

346 00 566/1 Caliper Pin Repair Kit Without Chrome Plated Pins

Truckexpert Nr	Description	OEM Nr	Application
346 01 393	Caliper Repair Kit		SB5...



346 00 923	Thrust Part With Bellow - (74 mm)	1
346 00 146	Shaft Housing Boot	1
346 00 155	Bush - Ø 16 x 18 / 10 mm	1
346 00 135	Calibration Bolt - (3 Thread)	1
346 00 049	Adjusting Mechanism Shaft	1
346 01 140	Shaft Housing Casting	1
346 01 594	Spring	2
346 01 578	Roller Bearing	2
346 00 134	Caliper Pin - Ø 36 / 145 mm	1
346 00 130	Caliper Pin - Ø 34 / 80 mm	1
346 00 142	Pin Bolt - M16 x 1.5 / 150 mm	1
346 00 139	Pin Bolt - M16 x 1.5 / 85 mm	1
346 00 154	Bush - Ø 36 x 40 / 82 mm	1
346 00 942	Rubber Bush - Ø 34 x 40 / 50 mm	1
346 00 198	Pin Boot - (Red)	1
346 01 539	Ring - (White)	1
346 00 150	Bellow Cap - (Black)	1
346 01 540	Clamp	1
346 00 161	Steel Cap	1
346 01 543	O-ring	1
346 00 963	Caliper Calibration Shaft Chain - (12 Link)	1
346 01 595	Pinion Shaft	1
346 01 541	Grease - 5 g	1


346 01 393/1 Caliper Repair Kit Without Chrome Plated Tappets & Pins

Truckexpert Nr	Description	OEM Nr	Application
346 01 389	Caliper Complete Repair Kit		SB5...



346 00 134	Caliper Pin - Ø 36 / 145 mm	1
346 00 130	Caliper Pin - Ø 34 / 80 mm	1
346 00 142	Pin Bolt - M16 x 1.5 / 150 mm	1
346 00 139	Pin Bolt - M16 x 1.5 / 85 mm	1
346 00 154	Bush - Ø 36 x 40 / 82 mm	1
346 00 942	Rubber Bush - Ø 34 x 40 / 50 mm	1
346 00 198	Pin Boot - (Red)	1
346 01 539	Ring - (White)	1
346 00 150	Bellow Cap - (Black)	1
346 01 540	Clamp	1
346 00 923	Thrust Part With Bellow - (74 mm)	1
346 00 146	Shaft Housing Boot	1
346 00 155	Bush - Ø 16 x 18 / 10 mm	1
346 00 161	Steel Cap	1
346 01 543	O-ring	1
346 00 135	Calibration Bolt - (3 Thread)	1
346 01 140	Shaft Housing Casting	1
346 01 594	Spring	2
346 00 577	Caliper Lever	1
346 01 578	Roller Bearing	2
346 00 049	Adjusting Mechanism Shaft	1
346 01 595	Pinion Shaft	1
346 00 963	Caliper Calibration Shaft Chain - (12 Link)	1
346 01 541	Grease - 5 g	1

346 01 389/1 Caliper Complete Repair Kit Without Chrome Plated Tappets & Pins

Truckexpert Nr	Description	OEM Nr	Application
346 00 135	Caliper Calibration Bolt - (3 Thread)		SN5...
			

Truckexpert Nr	Description	OEM Nr	Application
346 00 049	Adjusting Mechanism Shaft		SN5...
			

Truckexpert Nr	Description	OEM Nr	Application
346 00 067	Caliper Calibration Shaft Chain (14 link)		SN5...
			

Truckexpert Nr	Description	OEM Nr	Application
346 00 973	Caliper Lever		SN5...
			

Truckexpert Nr	Description	OEM Nr	Application						
346 01 141	Caliper Shaft Housing		SN5...						
									
		<table border="1"> <tr> <td>346 00 767</td> <td>Caliper Bridge Assembly</td> <td>1</td> </tr> <tr> <td>346 01 594</td> <td>Spring</td> <td>2</td> </tr> </table>	346 00 767	Caliper Bridge Assembly	1	346 01 594	Spring	2	
346 00 767	Caliper Bridge Assembly	1							
346 01 594	Spring	2							

Truckexpert Nr	Description	OEM Nr	Application
346 00 767	Caliper Bridge Assembly		SN5...
			

Truckexpert Nr	Description	OEM Nr	Application
346 00 424	Caliper Plastic Cover - (Without Sensor)		SN5...
			

Truckexpert Nr	Description	OEM Nr	Application
346 00 425	Caliper Plastic Cover - (2 Cable Sensor)		SN5...
			

Truckexpert Nr	Description	OEM Nr	Application
346 00 426	Caliper Plastic Cover - (3 Cable Sensor)		SN5...



Truckexpert Nr	Description	OEM Nr	Application
346 01 387	Caliper Plastic Cover Gasket		SN5...



Truckexpert Nr	Description	OEM Nr	Application
346 01 602	Caliper Pinion Shaft		SN5...




346 01 565	Caliper Mechanism Gear	1
346 02 208	Caliper Pinion Shaft	1

Truckexpert Nr	Description	OEM Nr	Application
346 00 583	Caliper Pinion Shaft Set		SN5...



346 01 565	Caliper Mechanism Gear	5
346 02 208	Caliper Pinion Shaft	5


Truckexpert Nr	Description	OEM Nr	Application
346 00 969	Brake Pad Retainer Repair Kit		SN5...



346 01 665	Pad Retainer	1
346 01 562	Split Cotter Pin	1
346 01 563	Washer	1
346 01 564	Pin	1

Truckexpert Nr	Description	OEM Nr	Application
346 01 607	Caliper Cover Seal Set		SN5...

346 01 606	Sheet Metal Cap Seal	5
------------	----------------------	---




Truckexpert Nr	Description	OEM Nr	Application
346 01 142	Caliper Cover		SN5...



346 01 604	Sheet Metal Cap	1
346 01 605	Bolt - M8 x 1.25 / 16 mm	6
346 01 606	Sheet Metal Cap Seal	1

Truckexpert Nr	Description	OEM Nr	Application
346 00 065	Needle Bearing Set		SN5...

346 01 601	Needle Bearing	2
------------	----------------	---



Truckexpert Nr	Description	OEM Nr	Application						
346 00 122	Adjusting Mechanism Cap Set - (38 mm)	K000029	SN5...						
									
<table border="1"> <tr> <td>346 01 558</td> <td>Adjusting Mechanism Cap - (38 mm)</td> <td>10</td> </tr> <tr> <td>346 01 560</td> <td>Adjusting Mechanism Adapter</td> <td>10</td> </tr> </table>			346 01 558	Adjusting Mechanism Cap - (38 mm)	10	346 01 560	Adjusting Mechanism Adapter	10	
346 01 558	Adjusting Mechanism Cap - (38 mm)	10							
346 01 560	Adjusting Mechanism Adapter	10							

Truckexpert Nr	Description	OEM Nr	Application						
346 00 083	Brake Pad Retainer Repair Kit		SN5...						
									
<table border="1"> <tr> <td>346 00 925</td> <td>Thrust Part With Bellow - Ø 69.3 mm</td> <td>1</td> </tr> <tr> <td>346 00 155</td> <td>Bush - Ø 16 x 18 / 10 mm</td> <td>1</td> </tr> </table>				346 00 925	Thrust Part With Bellow - Ø 69.3 mm	1	346 00 155	Bush - Ø 16 x 18 / 10 mm	1
346 00 925	Thrust Part With Bellow - Ø 69.3 mm	1							
346 00 155	Bush - Ø 16 x 18 / 10 mm	1							
346 00 083/1 Brake Pad Retainer Repair Kit Without Chrome Plated Tappets									

Truckexpert Nr	Description	OEM Nr	Application									
346 00 082	Brake Pad Retainer Repair Kit	K001929	SN5...									
												
<table border="1"> <tr> <td>346 00 925</td> <td>Thrust Part With Bellow - Ø 69.3 mm</td> <td>1</td> </tr> <tr> <td>346 00 933</td> <td>Shaft Housing Boot</td> <td>1</td> </tr> <tr> <td>346 00 155</td> <td>Bush - Ø 16 x 18 / 10 mm</td> <td>1</td> </tr> </table>				346 00 925	Thrust Part With Bellow - Ø 69.3 mm	1	346 00 933	Shaft Housing Boot	1	346 00 155	Bush - Ø 16 x 18 / 10 mm	1
346 00 925	Thrust Part With Bellow - Ø 69.3 mm	1										
346 00 933	Shaft Housing Boot	1										
346 00 155	Bush - Ø 16 x 18 / 10 mm	1										
346 00 082/1 Brake Pad Retainer Repair Kit Without Chrome Plated Tappets												

Truckexpert Nr	Description	OEM Nr	Application
346 00 553	Caliper Pin & Boot Set		SN5...



346 00 925	Thrust Part With Bellow	1
346 00 933	Shaft Housing Boot	1
346 00 155	Bush - Ø 16 x 18 / 10 mm	1
346 00 198	Pin Boot - (Red)	1
346 01 539	Ring - (White)	1
346 00 150	Bellow Cap - (Black)	1
346 00 942	Rubber Bush - Ø 34 x 40 / 50 mm	1
346 01 541	Grease - 5 g	1

346 00 553/1 Caliper Pin & Boot Set Without Chrome Plated Tappets

Truckexpert Nr	Description	OEM Nr	Application
346 00 105	Brake Pad Retainer Repair Kit	K001928	SN5...



346 01 596	Caliper Pin - Ø 30 / 99 mm	1
346 01 597	Caliper Pin - Ø 30 / 72 mm	1
346 00 140	Pin Bolt - M16 x 1.5 / 105 mm	1
346 00 137	Pin Bolt - M16 x 1.5 / 75 mm	1
346 00 907	Pin Boot - (Red)	2
346 01 598	Ring - (Plastic)	2
346 01 599	Bush Ø 30 x 34 / 65 mm	1
346 00 225	Bush Ø 30 x 34 / 20 mm	1
346 01 600	Pin Cap - Ø 34 / 14 mm	2
346 01 541	Grease - 5 g	1

346 00 105/1 Brake Pad Retainer Repair Kit Without Chrome Plated Pins

Truckexpert Nr	Description	OEM Nr	Application
346 01 394	Caliper Repair Kit		SN5...



346 00 924	Thrust Part With Bellow - (69 mm)	1
346 00 155	Bush - Ø 16 x 18 / 10 mm	1
346 01 541	Grease - 5 g	1
346 00 135	Calibration Bolt - (3 Thread)	1
346 00 049	Adjusting Mechanism Shaft	1
346 00 067	Caliper Calibration Shaft Chain - (14 Link)	1
346 01 602	Pinion Shaft	1
346 00 767	Caliper Bridge Assembly	1
346 01 594	Spring	2
346 01 596	Caliper Pin - Ø 30 / 99 mm	1
346 01 597	Caliper Pin - Ø 30 / 72 mm	1
346 00 140	Pin Bolt - M16 x 1.5 / 105 mm	1
346 00 137	Pin Bolt - M16 x 1.5 / 75 mm	1
346 00 907	Pin Boot - (Red)	2
346 01 598	Ring - (Plastic)	2
346 01 599	Bush Ø 30 x 34 / 65 mm	1
346 00 225	Bush Ø 30 x 34 / 20 mm	1
346 01 600	Pin Cap - Ø 34 / 14 mm	2
346 01 601	Roller Bearing	2
346 01 604	Sheet Metal Cap	1
346 01 605	Bolt - M8 x 1.25 / 16 mm	6
346 01 606	Sheet Metal Cap Seal	1



346 01 394/1 Caliper Repair Kit Without Chrome Plated Pins and Tappets

Truckexpert Nr	Description	OEM Nr	Application
346 01 388	Caliper Complete Repair Kit		SN5...



346 01 596	Caliper Pin - Ø 30 / 99 mm	1
346 01 597	Caliper Pin - Ø 30 / 72 mm	1
346 00 140	Pin Bolt - M16 x 1.5 / 105 mm	1
346 00 137	Pin Bolt - M16 x 1.5 / 75 mm	1
346 00 907	Pin Boot - (Red)	2
346 01 598	Ring - (Plastic)	2
346 01 599	Bush Ø 30 x 34 / 65 mm	1
346 00 225	Bush Ø 30 x 34 / 20 mm	1
346 01 600	Pin Cap - Ø 34 / 14 mm	2
346 01 541	Grease - 5 g	1
346 00 925	Thrust Part With Bellow	1
346 00 933	Shaft Housing Boot	1
346 00 155	Bush - Ø 16 x 18 / 10 mm	1
346 01 604	Sheet Metal Cap	1
346 01 605	Bolt - M8 x 1.25 / 16 mm	6
346 01 606	Sheet Metal Cap Seal	1
346 00 135	Calibration Bolt - (3 Thread)	1
346 00 767	Caliper Bridge Assembly	1
346 01 594	Spring	2
346 00 973	Caliper Lever	1
346 01 601	Roller Bearing	2
346 00 049	Adjusting Mechanism Shaft	1
346 01 602	Pinion Shaft	1
346 00 067	Caliper Calibration Shaft Chain - (14 Link)	1



346 01 388/1 Caliper Complete Repair Kit Without Chrome Plated Pins and Tappets

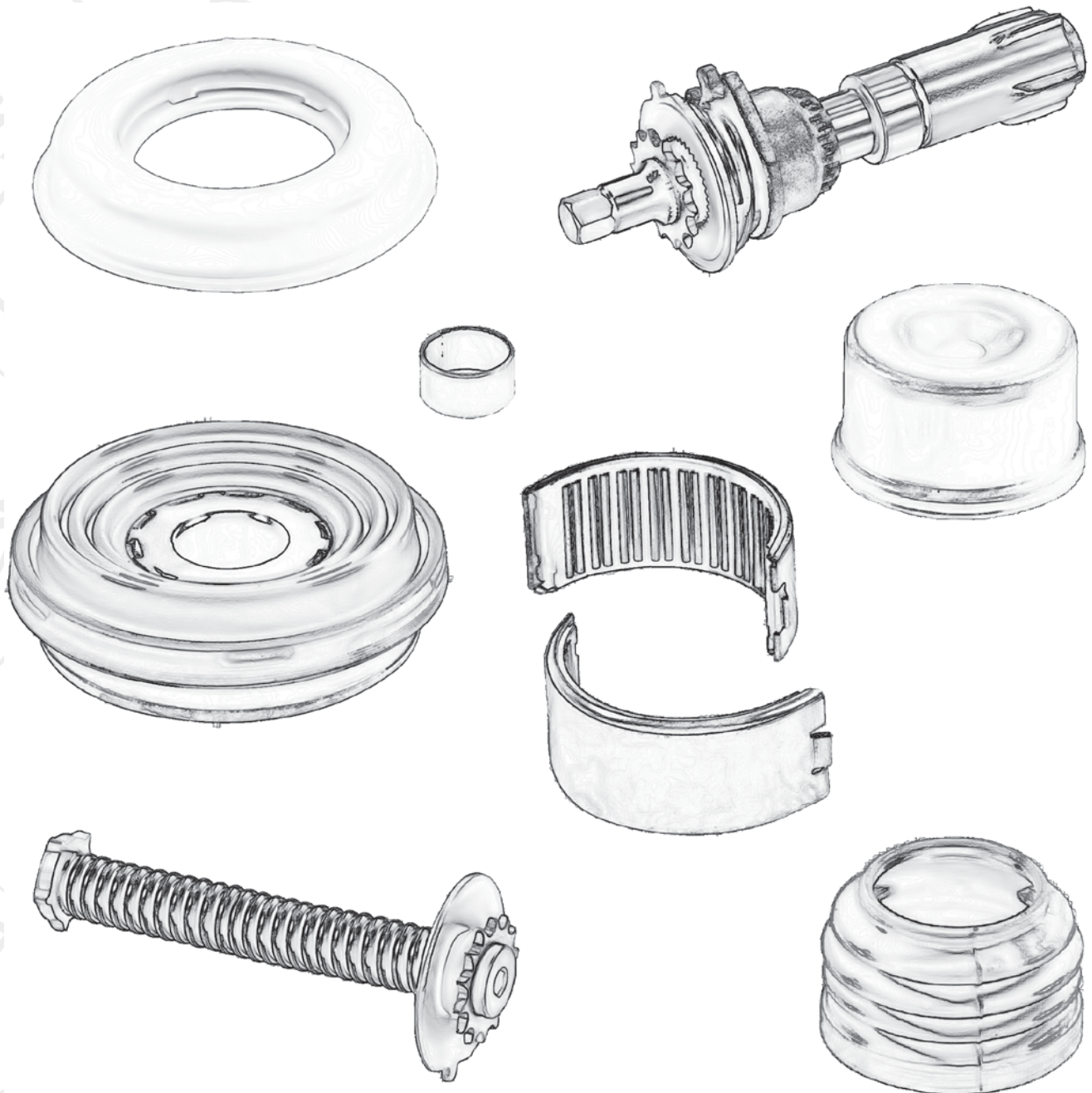
Truckexpert Nr	Description	OEM Nr	Application
346 02 219	Caliper Repair Set	MAN TGL 12.180 MERCEDES ATEGO 712 MERCEDES ATEGO 1023 MERCEDES ATEGO 1528	SN5...



346 00 767	Caliper Bridge Assembly	1
346 01 594	Spring	2
346 00 049	Adjusting Mechanism Shaft	1
346 01 565	Caliper Mechanism Gear	1
346 02 208	Pinion Shaft	1
346 01 565	Caliper Mechanism Gear	1
346 00 067	Caliper Calibration Shaft Chain (14 Links)	1
346 00 135	Caliper Calibration Bolt (3 Thread)	1
346 01 601	Caliper Needle Bearing Set	2
346 01 604	Sheet Metal Cap	1
346 01 605	Bolt M8 x 1.25 / 16 mm	6
346 01 606	Cover Seal	1
346 01 596	Caliper Pin Ø 30 / 99 mm	1
346 01 597	Caliper Pin Ø 30 / 72 mm	1
346 00 140	Pin Bolt M16 x1.5 /105 mm	1
346 00 137	Pin Bolt M16 x 1.5 /75 mm	1
346 00 907	Pin Boot (Red)	2
346 01 598	Ring (Plastic)	2
346 01 599	Bush Ø 30 x 34 / 65 mm	1
346 00 225	Bush Ø 30 x 34 / 20 mm	1
346 01 600	Pin Cap Ø 34 / 14 mm	2
346 00 925	Thrust Part With Bellow	1
346 00 933	Shaft Housing Boot	1
346 00 155	Bush Ø 16 x 18 /10 mm	1
346 01 541	Grease - 5 g	1

346 02 219/1 Caliper Pin & Boot Set Without Chrome Plated Pins and Tappets

SB6... / SB7...



Truckexpert Nr	Description	OEM Nr	Application
----------------	-------------	--------	-------------

346 00 153	Caliper Pin Rubber Bush - (Long) - Ø 39 mm	02.1410.21.00	SB6... SB7...
-------------------	---	----------------------	--------------------------



346 01 545	Rubber Bush	1
346 01 546	Plastic Ring	1
346 01 547	Stop Ring - Ø 39 mm	1

Truckexpert Nr	Description	OEM Nr	Application
----------------	-------------	--------	-------------

346 01 118	Caliper Short Pin Repair Kit	K000698	SB6... SB7...
-------------------	-------------------------------------	----------------	--------------------------



346 00 129	Caliper Pin - Ø 32 / 80 mm	1
346 00 138	Pin Bolt - M16 x 1.5 / 80 mm	1
346 01 545	Rubber Bush	1
346 01 546	Plastic Ring	1
346 01 547	Stop Ring - Ø 39 mm	1
346 00 166	Pin Bolt Ring	1

346 01 118/1 Caliper Short Pin Repair Kit Without Chrome Plated Pins

Truckexpert Nr	Description	OEM Nr	Application
----------------	-------------	--------	-------------

346 00 114	Caliper Short Pin Repair Kit	K000697	SB6... SB7...
-------------------	-------------------------------------	----------------	--------------------------



346 00 129	Caliper Pin - Ø 32 / 80 mm	1
346 01 545	Rubber Bush	1
346 01 546	Plastic Ring	1
346 01 547	Stop Ring - Ø 39 mm	1

346 00 114/1 Caliper Short Pin Repair Kit Without Chrome Plated Pins


Truckexpert Nr	Description	OEM Nr	Application
346 00 567	Caliper Pin Repair Kit		SB6... SB7...



346 00 132	Caliper Pin - Ø 36 / 114 mm	1
346 00 129	Caliper Pin - Ø 32 / 80 mm	1
346 00 139	Pin Bolt - M16 x 1.5 / 85 mm	1
346 00 138	Pin Bolt - M16 x 1.5 / 80 mm	1
346 01 545	Rubber Bush	1
346 01 546	Plastic Ring	1
346 01 547	Stop Ring - Ø 39 mm	1
346 00 166	Pin Bolt Ring	1

346 00 567/1 Caliper Pin Repair Kit Without Chrome Plated Pins

Truckexpert Nr	Description	OEM Nr	Application
346 00 085	Caliper Pin Repair Kit	K000375	SB6... SB7...



346 00 132	Caliper Pin - Ø 36 / 114 mm	1
346 00 129	Caliper Pin - Ø 32 / 80 mm	1
346 00 139	Pin Bolt - M16 x 1.5 / 85 mm	1
346 00 138	Pin Bolt - M16 x 1.5 / 80 mm	1
346 00 154	Bush - Ø 36 x 40 / 82 mm	1
346 01 545	Rubber Bush	1
346 01 546	Plastic Ring	1
346 01 547	Stop Ring - Ø 39 mm	1
346 00 166	Pin Bolt Ring	1
346 00 198	Pin Boot - (Red)	1
346 01 539	Ring - (White)	1
346 00 161	Steel Cap	1
346 01 543	O-ring	1
346 01 541	Grease - 5 g	1

346 00 085/1 Caliper Pin Repair Kit Without Chrome Plated Pins

Truckexpert Nr	Description	OEM Nr	Application
346 01 386	Caliper Pin Repair Kit	K067417K50	SB6... SB7...



346 00 132	Caliper Pin - Ø 36 / 114 mm	1
346 00 129	Caliper Pin - Ø 32 / 80 mm	1
346 00 139	Pin Bolt - M16 x 1.5 / 85 mm	1
346 00 138	Pin Bolt - M16 x 1.5 / 80 mm	1
346 00 154	Bush - Ø 36 x 40 / 82 mm	1
346 01 545	Rubber Bush	1
346 01 546	Plastic Ring	1
346 01 547	Stop Ring - Ø 39 mm	1
346 01 544	Pin Rubber Bush - (Short) - Ø 35 mm	1
346 00 166	Pin Bolt Ring	1
346 00 198	Pin Boot - (Red)	1
346 01 539	Ring - (White)	1
346 00 160	Pin Cap - Ø 40 / 14.5 mm	1
346 00 161	Steel Cap	1
346 01 543	O-ring	1
346 01 541	Grease - 5 g	1

346 01 386/1 Caliper Pin Repair Kit Without Chrome Plated Pins

Truckexpert Nr	Description	OEM Nr	Application
346 00 094	Caliper Pin Repair Kit	I1328090062	SB6... SB7...



346 00 134	Caliper Pin - Ø 36 / 145 mm	1
346 00 130	Caliper Pin - Ø 34 / 80 mm	1
346 00 142	Pin Bolt - M16 x 1.5 / 150 mm	1
346 00 138	Pin Bolt - M16 x 1.5 / 80 mm	1
346 00 154	Bush - Ø 36 x 40 / 82 mm	1
346 00 942	Rubber Bush - Ø 34 x 40 / 50 mm	1
346 00 198	Pin Boot - (Red)	1
346 01 539	Ring - (White)	1
346 00 150	Bellow Cap - (Black)	1
346 01 540	Clamp	1
346 01 541	Grease - 5 g	1

346 00 094/1 Caliper Pin Repair Kit Without Chrome Plated Pins

Truckexpert Nr	Description	OEM Nr	Application
346 00 098	Caliper Long Pin Repair Kit	K000935	SB6... SB7...



346 00 134	Caliper Pin - Ø 36 / 145 mm	1
346 00 142	Pin Bolt - M16 x 1.5 / 150 mm	1
346 00 154	Bush - Ø 36 x 40 / 82 mm	1
346 00 198	Pin Boot - (Red)	1
346 01 539	Ring - (White)	1
346 00 150	Bellow Cap - (Black)	1
346 01 540	Clamp	1
346 01 541	Grease - 5 g	1

346 00 098/1 Caliper Long Pin Repair Kit Without Chrome Plated Pins

Truckexpert Nr	Description	OEM Nr	Application
346 00 566	Caliper Pin Repair Kit	I1339680062	SB7...



346 00 134	Caliper Pin - Ø 36 / 145 mm	1
346 00 130	Caliper Pin - Ø 34 / 80 mm	1
346 00 142	Pin Bolt - M16 x 1.5 / 150 mm	1
346 00 139	Pin Bolt - M16 x 1.5 / 85 mm	1
346 00 154	Bush - Ø 36 x 40 / 82 mm	1
346 00 942	Rubber Bush - Ø 34 x 40 / 50 mm	1
346 00 198	Pin Boot - (Red)	1
346 01 539	Ring - (White)	1
346 00 150	Bellow Cap - (Black)	1
346 01 540	Clamp	1
346 01 541	Grease - 5 g	1

346 00 566/1 Caliper Pin Repair Kit Without Chrome Plated Pins

Truckexpert Nr	Description	OEM Nr	Application
346 01 115	Caliper Pin Repair Kit		SB7...



346 00 134	Caliper Pin - Ø 36 / 145 mm	1
346 00 130	Caliper Pin - Ø 34 / 80 mm	1
346 00 142	Pin Bolt - M16 x 1.5 / 150 mm	1
346 00 139	Pin Bolt - M16 x 1.5 / 85 mm	1
346 00 942	Rubber Bush - Ø 34 x 40 / 50 mm	1
346 01 541	Grease - 5 g	1

346 01 115/1 Caliper Pin Repair Kit Without Chrome Plated Pins

Truckexpert Nr	Description	OEM Nr	Application
346 01 116	Caliper Pin Boot & Cap Set	11350470061	SB6... SB7...



346 00 198	Pin Boot - (Red)	1
346 01 539	Ring - (White)	1
346 00 150	Bellow Cap - (Black)	1
346 01 540	Clamp	1

Truckexpert Nr	Description	OEM Nr	Application
346 00 559	Caliper Pin Repair Kit	K000132	SB6... SB7...



346 00 839	Caliper Pin - Ø 36 / 135 mm	1
346 00 130	Caliper Pin - Ø 34 / 80 mm	1
346 00 806	Pin Bolt - M16 x 1.5 / 140 mm	1
346 00 139	Pin Bolt - M16 x 1.5 / 85 mm	1
346 00 154	Bush - Ø 36 x 40 / 82 mm	1
346 00 942	Rubber Bush - Ø 34 x 40 / 50 mm	1
346 00 198	Pin Boot - (Red)	1
346 01 539	Ring - (White)	1
346 00 150	Bellow Cap - (Black)	1
346 01 540	Clamp	1
346 01 541	Grease - 5 g	1

346 00 559/1 Caliper Pin Repair Kit Without Chrome Plated Pins

Truckexpert Nr	Description	OEM Nr	Application
----------------	-------------	--------	-------------

346 00 112

Caliper Short Pin Repair Kit

**SB6...
SB7...**



346 00 130	Caliper Pin - Ø 34 / 80 mm	1
346 00 942	Rubber Bush - Ø 34 x 40 / 50 mm	1
346 01 541	Grease - 5 g	1

346 00 112/1 Caliper Short Pin Repair Kit Without Chrome Plated Pins

Truckexpert Nr	Description	OEM Nr	Application
----------------	-------------	--------	-------------

346 00 111

Caliper Short Pin Repair Kit

11368470064

**SB6...
SB7...**



346 00 130	Caliper Pin - Ø 34 / 80 mm	1
346 00 139	Pin Bolt - M16 x 1.5 / 85 mm	1
346 00 942	Rubber Bush - Ø 34 x 40 / 50 mm	1
346 01 541	Grease - 5 g	1

346 00 111/1 Caliper Short Pin Repair Kit Without Chrome Plated Pins

Truckexpert Nr	Description	OEM Nr	Application
----------------	-------------	--------	-------------

346 01 117

Caliper Pin Repair Kit

**SB6...
SB7...**



346 00 839	Caliper Pin - Ø 36 / 135 mm	1
346 00 130	Caliper Pin - Ø 34 / 80 mm	1
346 00 154	Bush - Ø 36 x 40 / 82 mm	1
346 00 942	Rubber Bush - Ø 34 x 40 / 50 mm	1
346 00 198	Pin Boot - (Red)	1
346 01 539	Ring - (White)	1
346 00 150	Bellow Cap - (Black)	1
346 01 540	Clamp	1
346 01 541	Grease - 5 g	1

346 01 117/1 Caliper Pin Repair Kit Without Chrome Plated Pins

Truckexpert Nr	Description	OEM Nr	Application
346 00 411	Caliper Pin Rubber Bush - (Long) - Ø 35 mm	02.1410.22.00	SB6... SB7...



346 01 545	Rubber Bush	1
346 01 546	Plastic Ring	1
346 01 544	Stop Ring - Ø 35 mm	1

Truckexpert Nr	Description	OEM Nr	Application
346 00 113	Caliper Short Pin Repair Kit	09.801.06.90.0	SB6... SB7...



346 00 129	Caliper Pin - Ø 32 / 80 mm	1
346 00 138	Pin Bolt - M16 x 1.5 / 80 mm	1
346 01 545	Rubber Bush	1
346 01 546	Plastic Ring	1
346 01 544	Stop Ring - Ø 35 mm	1
346 00 166	Pin Bolt Ring	1

346 01 113/1 Caliper Short Pin Repair Kit Without Chrome Plated Pins

Truckexpert Nr	Description	OEM Nr	Application
346 00 557	Caliper Short Pin Repair Kit		SB6... SB7...



346 00 129	Caliper Pin - Ø 32 / 80 mm	1
346 01 545	Rubber Bush	1
346 01 546	Plastic Ring	1
346 01 544	Stop Ring - Ø 35 mm	1

346 00 557/1 Caliper Short Pin Repair Kit Without Chrome Plated Pins

Truckexpert Nr	Description	OEM Nr	Application
346 00 412	Caliper Pin Repair Kit	K001532	SB6... SB7...



346 00 132	Caliper Pin - Ø 36 / 114 mm	1
346 00 129	Caliper Pin - Ø 32 / 80 mm	1
346 00 139	Pin Bolt - M16 x 1.5 / 85 mm	1
346 00 138	Pin Bolt - M16 x 1.5 / 80 mm	1
346 00 154	Bush - Ø 36 x 40 / 82 mm	1
346 01 545	Rubber Bush	1
346 01 546	Plastic Ring	1
346 01 544	Stop Ring - Ø 35 mm	1
346 00 166	Pin Bolt Ring	1
346 00 198	Pin Boot - (Red)	1
346 01 539	Ring - (White)	1
346 00 161	Steel Cap	1
346 01 543	O-ring	1
346 01 541	Grease - 5 g	1

346 00 412/1 Caliper Pin Repair Kit Without Chrome Plated Pins

Truckexpert Nr	Description	OEM Nr	Application
346 01 030	Caliper Pin Repair Kit	K048371K50	SB6... SB7...

346 00 132	Caliper Pin - Ø 36 / 114 mm	1
346 00 129	Caliper Pin - Ø 32 / 80 mm	1
346 00 139	Pin Bolt - M16 x 1.5 / 85 mm	1
346 00 138	Pin Bolt - M16 x 1.5 / 80 mm	1
346 00 154	Bush - Ø 36 x 40 / 82 mm	1
346 01 549	Rubber Bush	1
346 01 546	Plastic Ring	1
346 01 547	Stop Ring - Ø 39 mm	1
346 00 198	Pin Boot - (Red)	1
346 01 539	Ring - (White)	1
346 00 161	Steel Cap	1
346 01 543	O-ring	1
346 01 541	Grease - 5 g	1



346 01 030/1 Caliper Pin Repair Kit Without Chrome Plated Pins

Truckexpert Nr	Description	OEM Nr	Application
346 01 385	Caliper Pin And Pad Retainer Repair Kit	K003800	SB7...



346 01 561	Pad Retainer	1
346 01 562	Split Cotter Pin	1
346 01 563	Washer	1
346 01 564	Pin	1
346 00 132	Caliper Pin - Ø 36 / 114 mm	1
346 00 129	Caliper Pin - Ø 32 / 80 mm	1
346 00 139	Pin Bolt - M16 x 1.5 / 85 mm	1
346 00 138	Pin Bolt - M16 x 1.5 / 80 mm	1
346 00 166	Pin Bolt Ring	1
346 01 539	Ring - (White)	1
346 00 160	Pin Cap - Ø 40 / 14.5 mm	1
346 01 560	Adjusting Mechanism Adapter	1
346 01 558	Adjusting Mechanism Cap - (38 mm)	1

346 01 385/1 Caliper Pin And Pad Retainer Repair Kit Without Chrome Plated Pins

Truckexpert Nr	Description	OEM Nr	Application
346 01 548	Caliper Pin Rubber Bush - (Short) - Ø 35 mm		SB6... SB7...



346 01 549	Rubber Bush	1
346 01 546	Plastic Ring	1
346 01 544	Stop Ring - Ø 35 mm	1

Truckexpert Nr	Description	OEM Nr	Application
346 00 092	Caliper Pin Repair Kit	I139769F0062	SB6... SB7...



346 00 132	Caliper Pin - Ø 36 / 114 mm	1
346 00 130	Caliper Pin - Ø 34 / 80 mm	1
346 00 139	Pin Bolt - M16 x 1.5 / 85 mm	2
346 00 154	Bush - Ø 36 x 40 / 82 mm	1
346 00 942	Rubber Bush - Ø 34 x 40 / 50 mm	1
346 00 198	Pin Boot - (Red)	1
346 01 539	Ring - (White)	1
346 00 161	Steel Cap	1
346 01 543	O-ring	1
346 01 541	Grease - 5 g	1

346 00 092/1 Caliper Pin Repair Kit Without Chrome Plated Pins


Truckexpert Nr	Description	OEM Nr	Application
346 01 031	Caliper Pin Repair Kit	K048396K50	SB6... SB7...



346 00 132	Caliper Pin - Ø 36 / 114 mm	1
346 00 129	Caliper Pin - Ø 32 / 80 mm	1
346 00 139	Pin Bolt - M16 x 1.5 / 85 mm	1
346 00 138	Pin Bolt - M16 x 1.5 / 80 mm	1
346 00 154	Bush - Ø 36 x 40 / 82 mm	1
346 01 549	Rubber Bush	1
346 01 546	Plastic Ring	1
346 01 544	Stop Ring - Ø 35 mm	1
346 00 198	Pin Boot - (Red)	1
346 01 539	Ring - (White)	1
346 00 161	Steel Cap	1
346 01 543	O-ring	1
346 01 541	Grease - 5 g	1

346 01 031/1 Caliper Pin Repair Kit Without Chrome Plated Pins

Truckexpert Nr	Description	OEM Nr	Application
346 01 552	Caliper Cap Set	11344730063	SB7...



346 00 913	Bellow Cap - (Black)	1
346 01 540	Clamp	1


Truckexpert Nr	Description	OEM Nr	Application
346 00 433	Caliper Pin Repair Kit	11179320062	SB7...



346 00 839	Caliper Pin - Ø 36 / 135 mm	1
346 00 837	Caliper Pin - Ø 34 / 120 mm	1
346 00 806	Pin Bolt - M16 x 1.5 / 140 mm	1
346 00 807	Pin Bolt - M16 x 1.5 / 125 mm	1
346 00 154	Bush - Ø 36 x 40 / 82 mm	1
346 00 944	Rubber Bush - Ø 34 x 40 / 95 mm	1
346 00 908	Pin Boot	1
346 00 913	Bellow Cap - (Black)	1
346 01 540	Clamp	1
346 01 541	Grease - 5 g	1

346 00 433/1 Caliper Pin Repair Kit Without Chrome Plated Pins

Truckexpert Nr	Description	OEM Nr	Application
346 00 439	Caliper Pin Repair Kit	11358510062	SB6... SB7...



346 00 134	Caliper Pin - Ø 36 / 145 mm	1
346 00 837	Caliper Pin - Ø 34 / 120 mm	1
346 00 142	Pin Bolt - M16 x 1.5 / 150 mm	1
346 00 807	Pin Bolt - M16 x 1.5 / 125 mm	1
346 00 154	Bush - Ø 36 x 40 / 82 mm	1
346 00 944	Rubber Bush - Ø 34 x 40 / 95 mm	1
346 00 198	Pin Boot - (Red)	1
346 01 539	Ring - (White)	1
346 00 150	Bellow Cap - (Black)	1
346 01 540	Clamp	1
346 01 541	Grease - 5 g	1

346 00 439/1 Caliper Pin Repair Kit Without Chrome Plated Pins

Truckexpert Nr	Description	OEM Nr	Application
346 01 554	Caliper Cap Set	II197140063	SB7...
			
346 01 553	Rubber Cap - (Black)		1
346 01 540	Clamp		1

Truckexpert Nr	Description	OEM Nr	Application
346 01 119	Caliper Pin Repair Kit	II197140062	SB7...
			
346 00 839	Caliper Pin - Ø 36 / 135 mm		1
346 00 130	Caliper Pin - Ø 34 / 80 mm		1
346 00 806	Pin Bolt - M16 x 1.5 / 140 mm		1
346 00 139	Pin Bolt - M16 x 1.5 / 85 mm		1
346 00 154	Bush - Ø 36 x 40 / 82 mm		1
346 00 942	Rubber Bush - Ø 34 x 40 / 50 mm		1
346 00 908	Pin Boot		1
346 01 553	Rubber Cap - (Black)		1
346 01 540	Clamp		1
346 01 541	Grease - 5 g		1

346 01 119/1 Caliper Pin Repair Kit Without Chrome Plated Pins

Truckexpert Nr	Description	OEM Nr	Application
346 01 120	Caliper Pin Repair Kit	II197330062	SB7...
			
346 00 839	Caliper Pin - Ø 36 / 135 mm		1
346 00 130	Caliper Pin - Ø 34 / 80 mm		1
346 00 806	Pin Bolt - M16 x 1.5 / 140 mm		1
346 00 139	Pin Bolt - M16 x 1.5 / 85 mm		1
346 00 154	Bush - Ø 36 x 40 / 82 mm		1
346 00 942	Rubber Bush - Ø 34 x 40 / 50 mm		1
346 00 908	Pin Boot		1
346 00 913	Bellow Cap - (Black)		1
346 01 540	Clamp		1
346 01 541	Grease - 5 g		1

346 01 120/1 Caliper Pin Repair Kit Without Chrome Plated Pins

SB6/SB7

Truckexpert Nr	Description	OEM Nr	Application
346 01 550	Caliper Pin Boot Set	09.801.06.34.0	SB6... SB7...



346 00 198	Pin Boot - (Red)	1
346 01 539	Ring - (White)	1

Truckexpert Nr	Description	OEM Nr	Application
346 00 126	Caliper Pin Boot & Cap Set	11328090061	SB6... SB7...



346 00 161	Steel Cap	1
346 01 543	O-ring	1
346 00 198	Pin Boot - (Red)	1
346 01 539	Ring - (White)	1

Truckexpert Nr	Description	OEM Nr	Application
346 00 095	Caliper Long Pin Repair Kit	11310370066 K000696	SB6... SB7...



346 00 132	Caliper Pin - Ø 36 / 114 mm	1
346 00 139	Pin Bolt - M16 x 1.5 / 85 mm	1
346 00 154	Bush - Ø 36 x 40 / 82 mm	1
346 00 198	Pin Boot - (Red)	1
346 01 539	Ring - (White)	1
346 00 161	Steel Cap	1
346 01 543	O-ring	1
346 01 541	Grease - 5 g	1

346 00 095/1 Caliper Long Pin Repair Kit Without Chrome Plated Pins

Truckexpert Nr	Description	OEM Nr	Application
346 00 152	Caliper Pin Rubber Bush - (Short)		SB6... SB7...



346 01 549	Rubber Bush	1
346 01 546	Plastic Ring	1
346 01 547	Stop Ring - Ø 39 mm	1

Truckexpert Nr	Description	OEM Nr	Application
346 01 121	Caliper Short Pin Repair Kit		SB6... SB7...



346 00 129	Caliper Pin - Ø 32 / 80 mm	1
346 00 138	Pin Bolt - M16 x 1.5 / 80 mm	1
346 01 549	Rubber Bush	1
346 01 546	Plastic Ring	1
346 01 547	Stop Ring - Ø 39 mm	1

346 01 121/1 Caliper Short Pin Repair Kit Without Chrome Plated Pins

Truckexpert Nr	Description	OEM Nr	Application
346 00 116	Caliper Short Pin Repair Kit		SB6... SB7...



346 00 129	Caliper Pin - Ø 32 / 80 mm	1
346 01 549	Rubber Bush	1
346 01 546	Plastic Ring	1
346 01 547	Stop Ring - Ø 39 mm	1

346 00 116/1 Caliper Short Pin Repair Kit Without Chrome Plated Pins

SB6/SB7

Truckexpert Nr	Description	OEM Nr	Application
346 00 091	Caliper Pin Repair Kit	K000687	SB6... SB7...



346 00 134	Caliper Pin - Ø 36 / 145 mm	1
346 00 129	Caliper Pin - Ø 32 / 80 mm	1
346 00 142	Pin Bolt - M16 x 1.5 / 150 mm	1
346 00 138	Pin Bolt - M16 x 1.5 / 80 mm	1
346 00 154	Bush - Ø 36 x 40 / 82 mm	1
346 00 198	Pin Boot - (Red)	1
346 01 539	Ring - (White)	1
346 01 549	Rubber Bush	1
346 01 546	Plastic Ring	1
346 01 547	Stop Ring - Ø 39 mm	1
346 00 150	Bellow Cap - (Black)	1
346 01 540	Clamp	1
346 01 541	Grease - 5 g	1

346 00 091/1 Caliper Pin Repair Kit Without Chrome Plated Pins

Truckexpert Nr	Description	OEM Nr	Application
346 00 968	Caliper Pin Repair Kit	K000365	SB6... SB7...



346 00 132	Caliper Pin - Ø 36 / 114 mm	1
346 00 129	Caliper Pin - Ø 32 / 80 mm	1
346 00 130	Caliper Pin - Ø 34 / 80 mm	1
346 00 139	Pin Bolt - M16 x 1.5 / 85 mm	2
346 00 138	Pin Bolt - M16 x 1.5 / 80 mm	1
346 00 154	Bush - Ø 36 x 40 / 82 mm	1
346 00 942	Rubber Bush - Ø 34 x 40 / 50 mm	1
346 01 549	Rubber Bush	1
346 01 546	Plastic Ring	1
346 01 547	Stop Ring - Ø 39 mm	1
346 00 198	Pin Boot - (Red)	1
346 01 539	Ring - (White)	1
346 00 900	Pin Cap - Ø 40 / 11 mm	1
346 00 161	Steel Cap	1
346 01 543	O-ring	1
346 01 541	Grease - 5 g	1


346 00 968/1 Caliper Pin Repair Kit Without Chrome Plated Pins

Truckexpert Nr	Description	OEM Nr	Application
346 01 029	Caliper Pin Repair Kit	K048396K50	SB6... SB7...



346 00 132	Caliper Pin - Ø 36 / 114 mm	1
346 00 129	Caliper Pin - Ø 32 / 80 mm	1
346 00 139	Pin Bolt - M16 x 1.5 / 85 mm	1
346 00 138	Pin Bolt - M16 x 1.5 / 80 mm	1
346 00 154	Bush - Ø 36 x 40 / 82 mm	1
346 01 544	Pin Rubber Bush - (Short) - Ø 35 mm	1
346 01 549	Rubber Bush	1
346 01 546	Stop Ring - Ø 39 mm	1
346 00 198	Pin Boot - (Red)	1
346 01 539	Ring - (White)	1
346 00 161	Steel Cap	1
346 01 543	O-ring	1
346 00 160	Pin Cap - Ø 40 / 14.5 mm	1
346 01 541	Grease - 5 g	1

346 01 029/1 Caliper Pin Repair Kit Without Chrome Plated Pins

Truckexpert Nr	Description	OEM Nr	Application
346 00 945	Caliper Pin Rubber Bush		SB7...
			
		346 01 556	Rubber Bush 1
		346 01 547	Stop Ring - Ø 39 mm 1

Truckexpert Nr	Description	OEM Nr	Application
346 00 440	Caliper Pin Repair Kit	K031844K50	SB7...
			
		346 00 132	Caliper Pin - Ø 36 / 114 mm 1
		346 00 840	Caliper Pin - Ø 32 / 84 mm 1
		346 00 139	Pin Bolt - M16 x 1.5 / 85 mm 1
		346 00 138	Pin Bolt - M16 x 1.5 / 80 mm 1
		346 00 154	Bush - Ø 36 x 40 / 82 mm 1
		346 01 556	Rubber Bush 1
		346 01 547	Stop Ring - Ø 39 mm 1
		346 00 198	Pin Boot - (Red) 1
		346 01 539	Ring - (White) 1
		346 00 911	Pin Boot - (Black) 1
		346 01 555	Ring - (Red) 1
		346 00 161	Steel Cap 1
		346 01 543	O-ring 1
		346 00 901	Pin Cap - Ø 40 / 36.5 mm 1
		346 00 160	Pin Cap - Ø 40 / 14.5 mm 1
		346 01 541	Grease - 5 g 1

346 00 440/1 Caliper Pin Repair Kit Without Chrome Plated Pins

Truckexpert Nr	Description	OEM Nr	Application
346 01 122	Caliper Pin Repair Kit	K010813	SB7...
			
		346 00 132	Caliper Pin - Ø 36 / 114 mm 1
		346 00 131	Caliper Pin - Ø 36 / 64 mm 1
		346 00 139	Pin Bolt - M16 x 1.5 / 85 mm 1
		346 00 809	Pin Bolt - M16 x 1.5 / 70 mm 1
		346 00 154	Bush - Ø 36 x 40 / 82 mm 1
		346 00 159	Bush - Ø 36 x 40 / 20 mm 1
		346 00 198	Pin Boot - (Red) 2
		346 01 539	Ring - (White) 2
		346 00 899	Pin Cap - Ø 40 / 24.5 mm 1
		346 00 161	Steel Cap 1
		346 01 543	O-ring 1
		346 01 541	Grease - 5 g 1

346 01 122/1 Caliper Pin Repair Kit Without Chrome Plated Pins

SB6/SB7

Truckexpert Nr	Description	OEM Nr	Application
346 00 749	Caliper Pin & Boot Set		SB6... SB7...



346 00 924	Thrust Part With Bellow - (69 mm)	2
346 00 933	Shaft Housing Boot	2
346 00 155	Bush - Ø 16 x 18 / 10 mm	2
346 00 198	Pin Boot - (Red)	1
346 01 539	Ring - (White)	1
346 00 150	Bellow Cap - (Black)	1
346 01 540	Clamp	1
346 00 154	Bush - Ø 36 x 40 / 82 mm	1
346 00 942	Rubber Bush - Ø 34 x 40 / 50 mm	1
346 00 161	Steel Cap	1
346 01 543	O-ring	1
346 01 558	Adjusting Mechanism Cap - (38 mm)	1
346 00 166	Pin Bolt Ring	1
346 01 541	Grease - 5 g	1

346 00 749/1 Caliper Pin & Boot Set Without Chrome Plated Tappets

Truckexpert Nr	Description	OEM Nr	Application
346 00 121	Caliper Pin & Boot Set		SB6... SB7...



346 00 923	Thrust Part With Bellow - (74 mm)	2
346 00 155	Bush - Ø 16 x 18 / 10 mm	2
346 00 198	Pin Boot - (Red)	1
346 01 539	Ring - (White)	1
346 00 150	Bellow Cap - (Black)	1
346 01 540	Clamp	1
346 00 942	Rubber Bush - Ø 34 x 40 / 50 mm	1
346 01 541	Grease - 5 g	1

346 00 121/1 Caliper Pin & Boot Set Without Chrome Plated Tappets

Truckexpert Nr	Description	OEM Nr	Application
346 00 125	Caliper Cap Set	1139769F0063	SB6... SB7...



346 00 161	Steel Cap	1
346 01 543	O-ring	1

Truckexpert Nr	Description	OEM Nr	Application
346 01 551	Caliper Bellow Cap Set	11350470063	SB6... SB7...



346 00 150	Bellow Cap - (Black)	1
346 01 540	Clamp	1

Truckexpert Nr	Description	OEM Nr	Application
346 00 123	Caliper Cap Set	K001301	SB6... SB7...



346 00 161	Steel Cap	6
346 01 543	O-ring	6
346 00 150	Bellow Cap - (Black)	6
346 01 540	Clamp	6

Truckexpert Nr	Description	OEM Nr	Application
346 00 071	Brake Pad Retainer Repair Kit	K000129	SB7...



346 01 561	Pad Retainer	1
346 01 562	Split Cotter Pin	1
346 01 563	Washer	1
346 01 564	Pin	1

Truckexpert Nr	Description	OEM Nr	Application
346 00 437	Caliper Pad Retainer Repair Kit	K000884	SB7...



346 01 561	Pad Retainer	1
346 01 562	Split Cotter Pin	1
346 01 563	Washer	1
346 01 564	Pin	1

Truckexpert Nr	Description	OEM Nr	Application
346 01 123	Brake Pad Retainer Repair Kit		SB7...



346 01 561	Pad Retainer	2
346 01 562	Split Cotter Pin	2
346 01 563	Washer	2
346 01 564	Pin	2
346 01 558	Adjusting Mechanism Cap - (38 mm)	2
346 01 559	Adjusting Mechanism Cap	2
346 01 560	Adjusting Mechanism Adapter	1

Truckexpert Nr	Description	OEM Nr	Application
346 00 442	Brake Pad Retainer Repair Kit	K002311	SB7...



346 01 391	Caliper Cable Protection Kit	2
346 01 561	Pad Retainer	2
346 01 562	Split Cotter Pin	2
346 01 563	Washer	2
346 01 564	Pin	2
346 01 558	Adjusting Mechanism Cap - (38 mm)	2
346 01 559	Adjusting Mechanism Cap	2
346 01 560	Adjusting Mechanism Adapter	1

Truckexpert Nr	Description	OEM Nr	Application
346 00 969	Brake Pad Retainer Repair Kit	K000133	SB6...



346 01 665	Pad Retainer	1
346 01 562	Split Cotter Pin	1
346 01 563	Washer	1
346 01 564	Pin	1

Truckexpert Nr	Description	OEM Nr	Application
346 01 383	Brake Pad Retainer Repair Kit		SB6...



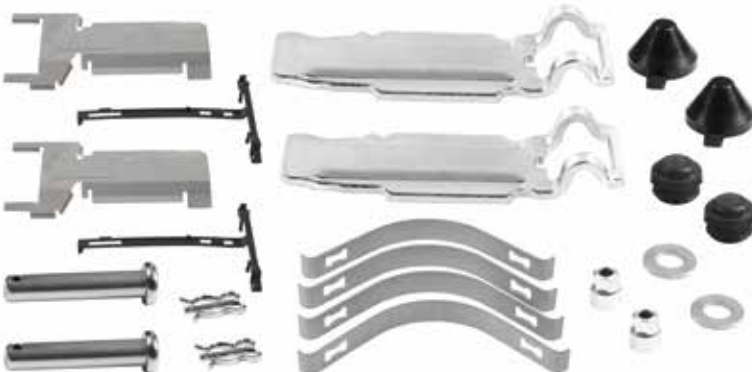
346 01 665	Pad Retainer	1
346 01 562	Split Cotter Pin	1
346 01 563	Washer	1
346 01 564	Pin	1
346 01 391	Caliper Cable Protection Kit	1

Truckexpert Nr	Description	OEM Nr	Application
346 01 382	Brake Pad Retainer Repair Kit		SB6...



346 01 665	Pad Retainer	2
346 01 562	Split Cotter Pin	2
346 01 563	Washer	2
346 01 564	Pin	2
346 01 558	Adjusting Mechanism Cap - (38 mm)	2
346 01 559	Adjusting Mechanism Cap	2
346 01 560	Adjusting Mechanism Adapter	2
346 01 381	Brake Pad Retainer	4

Truckexpert Nr	Description	OEM Nr	Application
346 01 380	Brake Pad Retainer Repair Kit		SB6...



346 01 391	Caliper Cable Protection Kit	2
346 01 665	Pad Retainer	2
346 01 562	Split Cotter Pin	2
346 01 563	Washer	2
346 01 564	Pin	2
346 01 558	Adjusting Mechanism Cap - (38 mm)	2
346 01 559	Adjusting Mechanism Cap	2
346 01 560	Adjusting Mechanism Adapter	2
346 01 381	Brake Pad Retainer	4

Truckexpert Nr	Description	OEM Nr	Application
346 00 394	Brake Pad Retainer & Adapter Repair Kit		SB6... SB7...



346 01 560	Adjusting Mechanism Adapter	1
346 01 558	Adjusting Mechanism Cap - (38 mm)	2
346 01 562	Split Cotter Pin	2
346 01 563	Washer	2
346 01 564	Pin	2

Truckexpert Nr	Description	OEM Nr	Application
346 00 435	Adjusting Mechanism Cap Set - (38 mm)	K000945	SB6... SB7...



346 01 558	Adjusting Mechanism Cap - (38 mm)	10
346 01 559	Adjusting Mechanism Cap	10
346 01 560	Adjusting Mechanism Adapter	10

Truckexpert Nr	Description	OEM Nr	Application
346 01 391	Caliper Cable Protection Kit		SB6... SB7...



Truckexpert Nr	Description	OEM Nr	Application
346 00 581	Adjusting Mechanism Adapter Set	Z001548S	SB6... SB7...



346 01 560 Adjusting Mechanism Adapter 5

Truckexpert Nr	Description	OEM Nr	Application
346 01 612	Adjusting Mechanism Adapter Set	Z001548	SB6... SB7...



346 01 560 Adjusting Mechanism Adapter 10

Truckexpert Nr	Description	OEM Nr	Application
346 00 589	Caliper Support Seal Set		SB6... SB7...



346 01 573 Caliper Support Seal 5

Truckexpert Nr	Description	OEM Nr	Application
346 00 069	Caliper Sensor Cover - (Without Sensor)		SB6... SB7...

Truckexpert Nr	Description	OEM Nr	Application
346 00 413	Caliper Sensor Cover - (2 Cable Sensor)		SB6... SB7...

Truckexpert Nr	Description	OEM Nr	Application
346 00 414	Caliper Sensor Cover - (3 Cable Sensor)		SB6... SB7...

Truckexpert Nr	Description	OEM Nr	Application
346 00 415	Caliper Sensor Cover - (MAN Type 3 Cable Sensor)		SB6... SB7...

SB6/SB7

Truckexpert Nr	Description	OEM Nr	Application
346 00 420	Caliper Sensor Cover - (Without Sensor)		SB6... SB7...



Truckexpert Nr	Description	OEM Nr	Application
346 00 421	Caliper Sensor Cover - (2 Cable Sensor)		SB6... SB7...





Truckexpert Nr	Description	OEM Nr	Application
346 00 422	Caliper Sensor Cover - (3 Cable Sensor)		SB6... SB7...



Truckexpert Nr	Description	OEM Nr	Application
346 01 565	Caliper Mechanism Gear		SB6... SB7...
			

Truckexpert Nr	Description	OEM Nr	Application			
346 00 051	Caliper Mechanism Gear Set		SB6... SB7...			
						
		<table border="0"> <tr> <td style="padding: 2px;">346 01 565</td> <td style="padding: 2px;">Caliper Mechanism Gear</td> <td style="padding: 2px; text-align: right;">5</td> </tr> </table>	346 01 565	Caliper Mechanism Gear	5	
346 01 565	Caliper Mechanism Gear	5				

Truckexpert Nr	Description	OEM Nr	Application
346 00 066	Caliper Calibration Shaft Chain		SB6... SB7...
			

Truckexpert Nr	Description	OEM Nr	Application
346 00 052	Cliper Pinion Shaft		SB6... SB7...
			

SB6/SB7

Truckexpert Nr	Description	OEM Nr	Application
346 01 570	Caliper Sensor Cover Gear Shaft		SB6... SB7...



Truckexpert Nr	Description	OEM Nr	Application
346 00 587	Caliper Sensor Cover Gear Shaft Set		SB6... SB7...



346 01 570	Caliper Sensor Cover Gear Shaft	5
-------------------	---------------------------------	---

Truckexpert Nr	Description	OEM Nr	Application
346 01 575	Caliper Plastic Cover Seal		SB6... SB7...




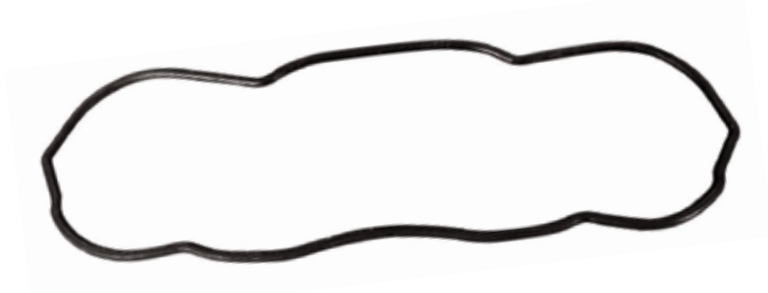
Truckexpert Nr	Description	OEM Nr	Application
346 01 379	Caliper Plastic Cover Seal Set		SB6... SB7...



346 01 575	Caliper Plastic Cover Seal	5
-------------------	----------------------------	---

Truckexpert Nr	Description	OEM Nr	Application
346 00 135	Caliper Calibration Bolt - (3 Thread)		SB7...
			

Truckexpert Nr	Description	OEM Nr	Application
346 00 048	Adjusting Mechanism Shaft		SB6... SB7...
			

Truckexpert Nr	Description	OEM Nr	Application
346 01 574	Caliper Sensor Cover Gasket		SB6... SB7...
			

Truckexpert Nr	Description	OEM Nr	Application		
346 00 588	Caliper Sensor Cover Gear Shaft Set		SB6... SB7...		
					
		<table border="1"> <tr> <td>346 01 572</td> <td>Caliper Sensor Cover Gear Shaft</td> <td>5</td> </tr> </table>	346 01 572	Caliper Sensor Cover Gear Shaft	5
346 01 572	Caliper Sensor Cover Gear Shaft	5			

Truckexpert Nr	Description	OEM Nr	Application
346 00 050	Pinion Shaft		SB6... SB7...



Truckexpert Nr	Description	OEM Nr	Application
346 00 573	Pinion Shaft		SB6... SB7...



Truckexpert Nr	Description	OEM Nr	Application
346 00 574	Pinion Shaft		SB6... SB7...



Truckexpert Nr	Description	OEM Nr	Application
346 00 575	Pinion Shaft		SB6... SB7...



Truckexpert Nr	Description	OEM Nr	Application
346 00 078	Caliper Tappet & Boot Set - (74 mm)	K000944 K010604	SB6... SB7...



346 00 923	Thrust Part With Bellow - (74 mm)	2
346 00 146	Shaft Housing Boot	2
346 00 155	Bush - Ø 16 x 18 / 10 mm	2
346 01 541	Grease - 5 g	1

346 00 078/1 Caliper Tappet & Boot Set - (74 mm) Without Chrome Plated Tappets

Truckexpert Nr	Description	OEM Nr	Application
346 00 079	Caliper Tappet Set	II179320065 II304130065	SB6... SB7...



346 00 923	Thrust Part With Bellow - (74 mm)	2
346 00 155	Bush - Ø 16 x 18 / 10 mm	2
346 01 541	Grease - 5 g	1

346 00 079/1 Caliper Tappet Set Without Chrome Plated Tappets

Truckexpert Nr	Description	OEM Nr	Application
346 00 080	Caliper Tappet & Boot Set	II370760065	SB6... SB7...



346 00 923	Thrust Part With Bellow - (74 mm)	1
346 00 146	Shaft Housing Boot	1
346 00 155	Bush - Ø 16 x 18 / 10 mm	1
346 01 541	Grease - 5 g	1

346 00 080/1 Caliper Tappet & Boot Set Without Chrome Plated Tappets

Truckexpert Nr	Description	OEM Nr	Application
346 00 081	Caliper Tappet & Boot Set	II179320065 II304130065	SB6... SB7...



346 00 923	Thrust Part With Bellow - (74 mm)	1
346 00 155	Bush - Ø 16 x 18 / 10 mm	1

346 00 081/1 Caliper Tappet & Boot Set Without Chrome Plated Tappets

SB6/SB7

Truckexpert Nr	Description	OEM Nr	Application
346 00 151	Caliper Lever Bearing		SB6... SB7...



Truckexpert Nr	Description	OEM Nr	Application
346 00 584	Caliper Lever Bearing Set		SB6... SB7...



346 00 151	Caliper Lever Bearing	5
------------	-----------------------	---

Truckexpert Nr	Description	OEM Nr	Application
346 01 613	Caliper Lever Bearing Set		SB6... SB7...




346 00 151	Lever Bearing	1
346 01 567	Shaft Housing Pin	1
346 01 568	Shaft Housing Pin Clamp	2

Truckexpert Nr	Description	OEM Nr	Application
346 02 223	Adjusting Mechanism Shaft		SB6... SB7...



Truckexpert Nr	Description	OEM Nr	Application
346 02 225	Caliper Sensor Plastic Locker Set		SB6... SB7...



346 02 224	Caliper Sensor Plastic Locker	5
-------------------	-------------------------------	---

Truckexpert Nr	Description	OEM Nr	Application
346 02 227	Caliper Cover Bolt Kit		SB6... SB7...



346 02 226	Bolt M14 X 2 / 55 mm	8
-------------------	----------------------	---

Truckexpert Nr	Description	OEM Nr	Application
346 02 229	Caliper Cover Bolt Kit		SB6... SB7...



346 02 228	Bolt M10 X 1.5 / 60 mm	8
-------------------	------------------------	---

SB6/SB7

Truckexpert Nr	Description	OEM Nr	Application
346 00 045	Shaft Housing Set		SB6... SB7...



346 01 566	Caliper Shaft Housing	1
346 01 567	Shaft Housing Pin	1
346 01 568	Shaft Housing Pin Clamp	2
346 01 569	Shaft Housing Spring	1
346 00 151	Lever Bearing	1
346 00 135	Calibration Bolt - (3 Thread)	2

Truckexpert Nr	Description	OEM Nr	Application
346 00 053	Shaft Housing Assembly		SB6... SB7...




346 01 566	Caliper Shaft Housing	1
346 01 567	Shaft Housing Pin	1
346 01 568	Shaft Housing Pin Clamp	2
346 01 569	Shaft Housing Spring	1

Truckexpert Nr	Description	OEM Nr	Application
346 00 062	Needle Bearing Set		SB6... SB7...



346 01 578	Needle Bearing	2
------------	----------------	---

Truckexpert Nr	Description	OEM Nr	Application
346 00 064	Needle Bearing Set		SB6... SB7...



346 01 584	Needle Bearing	2
------------	----------------	---

Truckexpert Nr	Description	OEM Nr	Application
346 00 578	Caliper Lever - Straight (Angle 0°)		SB6...



Truckexpert Nr	Description	OEM Nr	Application
346 01 124	Caliper Repair Set		SB6...



346 00 923	Thrust Part With Bellow - (74 mm)	2
346 00 146	Shaft Housing Boot	2
346 00 155	Bush - Ø 16 x 18 / 10 mm	2
346 01 566	Caliper Shaft Housing	1
346 01 567	Shaft Housing Pin	1
346 01 568	Shaft Housing Pin Clamp	2
346 01 569	Shaft Housing Spring	1
346 00 578	Lever - Straight (Angle 0°)	1
346 01 578	Roller Bearing	2
346 00 066	Calibration Shaft Chain	1
346 00 048	Adjusting Mechanism Shaft	1
346 00 050	Pinion Shaft	1
346 00 135	Calibration Bolt - (3 Thread)	2
346 01 541	Grease - 5 g	1

346 01 124/1 Caliper Repair Set Without Chrome Plated Tappets

Truckexpert Nr	Description	OEM Nr	Application
346 01 126	Caliper Lever - (Angle 12°)		SB7...



Truckexpert Nr	Description	OEM Nr	Application
346 01 125	Caliper Repair Set		SB7...



346 00 923	Thrust Part With Bellow - (74 mm)	2
346 00 146	Shaft Housing Boot	2
346 00 155	Bush - Ø 16 x 18 / 10 mm	2
346 01 566	Caliper Shaft Housing	1
346 01 567	Shaft Housing Pin	1
346 01 568	Shaft Housing Pin Clamp	2
346 01 569	Shaft Housing Spring	1
346 01 126	Caliper Lever - (Angle 12°)	1
346 01 578	Roller Bearing	2
346 00 066	Calibration Shaft Chain	1
346 00 048	Adjusting Mechanism Shaft	1
346 00 050	Pinion Shaft	1
346 00 135	Calibration Bolt - (3 Thread)	2
346 01 541	Grease - 5 g	1

346 01 125/1 Caliper Repair Set Without Chrome Plated Tappets

Truckexpert Nr	Description	OEM Nr	Application
346 00 057	Caliper Lever - Straight (Angle 0°)		SB7...



Truckexpert Nr	Description	OEM Nr	Application
346 01 128	Caliper Repair Set		SB7...



346 00 923	Thrust Part With Bellow - (74 mm)	2
346 00 146	Shaft Housing Boot	2
346 00 155	Bush - Ø 16 x 18 / 10 mm	2
346 01 566	Caliper Shaft Housing	1
346 01 567	Shaft Housing Pin	1
346 01 568	Shaft Housing Pin Clamp	2
346 01 569	Shaft Housing Spring	1
346 00 057	Lever - Straight (Angle 0°)	1
346 01 578	Roller Bearing	2
346 00 066	Calibration Shaft Chain	1
346 00 048	Adjusting Mechanism Shaft	1
346 00 050	Pinion Shaft	1
346 00 135	Calibration Bolt - (3 Thread)	2
346 01 541	Grease - 5 g	1

346 01 128/1 Caliper Repair Set Without Chrome Plated Tappets

SB6/SB7

Truckexpert Nr	Description	OEM Nr	Application
346 00 059	Caliper Lever - (Angle 12°)		SB7...



Truckexpert Nr	Description	OEM Nr	Application
346 01 129	Caliper Repair Set		SB7...



346 00 923	Thrust Part With Bellow - (74 mm)	2
346 00 146	Shaft Housing Boot	2
346 00 155	Bush - Ø 16 x 18 / 10 mm	2
346 01 566	Caliper Shaft Housing	1
346 01 567	Shaft Housing Pin	1
346 01 568	Shaft Housing Pin Clamp	2
346 01 569	Shaft Housing Spring	1
346 00 059	Lever - (Angle 12°)	1
346 01 578	Roller Bearing	2
346 00 066	Calibration Shaft Chain	1
346 00 048	Adjusting Mechanism Shaft	1
346 00 050	Pinion Shaft	1
346 00 135	Calibration Bolt - (3 Thread)	2
346 01 541	Grease - 5 g	1

346 01 129/1 Caliper Repair Set Without Chrome Plated Tappets

Truckexpert Nr	Description	OEM Nr	Application
346 01 384	Caliper Repair Kit Old Model		SB7...



346 00 923	Thrust Part With Bellow - (74 mm)	2
346 00 146	Shaft Housing Boot	2
346 00 155	Bush - Ø 16 x 18 / 10 mm	2
346 01 541	Grease - 5 g	1
346 01 566	Caliper Shaft Housing	1
346 01 567	Shaft Housing Pin	1
346 01 568	Shaft Housing Pin Clamp	2
346 01 569	Shaft Housing Spring	1
346 00 135	Calibration Bolt - (3 Thread)	2
346 00 050	Pinion Shaft	1
346 00 048	Adjusting Mechanism Shaft	1
346 01 584	Roller Bearing	2
346 00 066	Calibration Shaft Chain	1
346 00 132	Caliper Pin - Ø 36 / 114 mm	1
346 00 129	Caliper Pin - Ø 32 / 80 mm	1
346 00 139	Pin Bolt - M16 x 1.5 / 85 mm	1
346 00 138	Pin Bolt - M16 x 1.5 / 80 mm	1
346 00 198	Pin Boot - (Red)	1
346 01 539	Ring - (White)	1
346 00 154	Bush - Ø 36 x 40 / 82 mm	1
346 00 160	Pin Cap - Ø 40 / 14.5 mm	1
346 01 549	Rubber Bush	1
346 01 546	Plastic Ring	1
346 01 547	Stop Ring - Ø 39 mm	1

346 01 384/1 Caliper Repair Kit Old Model Without Chrome Plated Pins and Tappets

Truckexpert Nr	Description	OEM Nr	Application
346 01 392	Caliper Repair Kit New Model		SB7...

SB6/SB7



346 00 923	Thrust Part With Bellow - (74 mm)	2
346 00 146	Shaft Housing Boot	2
346 00 155	Bush - Ø 16 x 18 / 10 mm	2
346 00 050	Pinion Shaft	1
346 00 048	Adjusting Mechanism Shaft	1
346 01 566	Caliper Shaft Housing	1
346 01 567	Shaft Housing Pin	1
346 01 568	Shaft Housing Pin Clamp	2
346 01 569	Shaft Housing Spring	1
346 00 135	Calibration Bolt - (3 Thread)	2
346 00 066	Caliper Calibration Shaft Chain	1
346 01 578	Roller Bearing	2
346 00 132	Caliper Pin - Ø 36 / 114 mm	1
346 00 129	Caliper Pin - Ø 32 / 80 mm	1
346 00 139	Pin Bolt - M16 x 1.5 / 85 mm	1
346 00 138	Pin Bolt - M16 x 1.5 / 80 mm	1
346 00 198	Pin Boot - (Red)	1
346 01 539	Ring - (White)	1
346 00 154	Bush - Ø 36 x 40 / 82 mm	1
346 00 160	Pin Cap - Ø 40 / 14.5 mm	1
346 01 549	Rubber Bush	1
346 01 546	Plastic Ring	1
346 01 547	Stop Ring - Ø 39 mm	1
346 01 541	Grease - 5 g	1

346 01 392/1 Caliper Repair Kit New Model Without Chrome Plated Pins and Tappets

Truckexpert Nr	Description	OEM Nr	Application						
346 01 551	Caliper Bellow Cap Set	11350470063	SB7... Radial						
									
<table border="1"> <tr> <td>346 00 150</td> <td>Bellow Cap - (Black)</td> <td>1</td> </tr> <tr> <td>346 01 540</td> <td>Clamp</td> <td>1</td> </tr> </table>				346 00 150	Bellow Cap - (Black)	1	346 01 540	Clamp	1
346 00 150	Bellow Cap - (Black)	1							
346 01 540	Clamp	1							

Truckexpert Nr	Description	OEM Nr	Application			
346 00 589	Caliper Support Seal Set		SB7... Radial			
						
<table border="1"> <tr> <td>346 01 573</td> <td>Caliper Support Seal</td> <td>5</td> </tr> </table>				346 01 573	Caliper Support Seal	5
346 01 573	Caliper Support Seal	5				

Truckexpert Nr	Description	OEM Nr	Application			
346 00 586	Caliper Sensor Cover Gear Shaft Set		SB7... Radial			
						
<table border="1"> <tr> <td>346 01 571</td> <td>Caliper Sensor Cover Gear Shaft</td> <td>5</td> </tr> </table>				346 01 571	Caliper Sensor Cover Gear Shaft	5
346 01 571	Caliper Sensor Cover Gear Shaft	5				

Truckexpert Nr	Description	OEM Nr	Application
346 01 374	Plastic Cover Gasket		SB7... Radial
			

Truckexpert Nr	Description	OEM Nr	Application
346 00 566	Caliper Pin Repair Kit	1I339680062	SB7... Radial



346 00 134	Caliper Pin - Ø 36 / 145 mm	1
346 00 130	Caliper Pin - Ø 34 / 80 mm	1
346 00 142	Pin Bolt - M16 x 1.5 / 150 mm	1
346 00 139	Pin Bolt - M16 x 1.5 / 85 mm	1
346 00 154	Bush - Ø 36 x 40 / 82 mm	1
346 00 942	Rubber Bush - Ø 34 x 40 / 50 mm	1
346 00 198	Pin Boot - (Red)	1
346 01 539	Ring - (White)	1
346 00 150	Bellow Cap - (Black)	1
346 01 540	Clamp	1
346 01 541	Grease - 5 g	1

346 00 566/1 Caliper Pin Repair Kit Without Chrome Plated Pins

Truckexpert Nr	Description	OEM Nr	Application
346 00 111	Caliper Short Pin Repair Kit	1I368470064	SB7... Radial



346 00 130	Caliper Pin - Ø 34 / 80 mm	1
346 00 139	Pin Bolt - M16 x 1.5 / 85 mm	1
346 00 942	Rubber Bush - Ø 34 x 40 / 50 mm	1
346 01 541	Grease - 5 g	1

346 00 111/1 Caliper Short Pin Repair Kit Without Chrome Plated Pins

Truckexpert Nr	Description	OEM Nr	Application
346 00 435	Adjusting Mechanism Cap Set - (38 mm)	K000945	SB7... Radial



346 01 558	Adjusting Mechanism Cap - (38 mm)	10
346 01 559	Adjusting Mechanism Cap	10
346 01 560	Adjusting Mechanism Adapter	10

Truckexpert Nr	Description	OEM Nr	Application
346 00 428	Caliper Sensor Cover - (Without Sensor)		SB7... Radial



Truckexpert Nr	Description	OEM Nr	Application
346 00 429	Caliper Sensor Cover - (2 Cable Sensor)		SB7... Radial



Truckexpert Nr	Description	OEM Nr	Application
346 00 430	Caliper Sensor Cover - (Man Type 3 Cable Sensor)		SB7... Radial



Truckexpert Nr	Description	OEM Nr	Application
346 00 751	Caliper Sensor Cover - (Without Sensor)		SB7... Radial




Truckexpert Nr	Description	OEM Nr	Application
346 00 752	Caliper Sensor Cover - (2 Cable Sensor)		SB7... Radial



Truckexpert Nr	Description	OEM Nr	Application
346 00 753	Caliper Sensor Cover - (MAN Type 3 Cable Sensor)		SB7... Radial



Truckexpert Nr	Description	OEM Nr	Application
346 00 579	Caliper Lever		SB7... Radial



Truckexpert Nr	Description	OEM Nr	Application
346 01 130	Caliper Repair Set		SB7... Radial



346 00 923	Thrust Part With Bellow - (74 mm)	2
346 00 146	Shaft Housing Boot	2
346 00 155	Bush - Ø 16 x 18 / 10 mm	2
346 01 566	Caliper Shaft Housing	1
346 01 567	Shaft Housing Pin	1
346 01 568	Shaft Housing Pin Clamp	2
346 01 569	Shaft Housing Spring	1
346 00 579	Caliper Lever	1
346 01 578	Roller Bearing	2
346 00 066	Calibration Shaft Chain	1
346 00 048	Adjusting Mechanism Shaft	1
346 00 050	Pinion Shaft	1
346 00 135	Calibration Bolt - (3 Thread)	2
346 01 541	Grease - 5 g	1

346 01 130/1 Caliper Repair Set Without Chrome Plated Tappets

Truckexpert Nr	Description	OEM Nr	Application
346 02 236	Caliper Lever (86 degree)		SB7... Radial







Truckexpert Nr	Description	OEM Nr	Application
346 02 237	Caliper Repair Set		SB7... Radial




346 00 923	Thrust Part With Bellow - (74 mm)	2
346 00 146	Shaft Housing Boot	2
346 00 155	Bush - Ø 16 x 18 / 10 mm	2
346 01 566	Caliper Shaft Housing	1
346 01 567	Shaft Housing Pin	1
346 01 568	Shaft Housing Pin Clamp	2
346 01 569	Shaft Housing Spring	1
346 00 579	Caliper Lever	1
346 01 578	Roller Bearing	2
346 00 066	Calibration Shaft Chain	1
346 00 048	Adjusting Mechanism Shaft	1
346 00 050	Pinion Shaft	1
346 00 135	Calibration Bolt - (3 Thread)	2
346 01 541	Grease - 5 g	1

346 02 237/1 Caliper Repair Set Without Chrome Plated Tappets


Truckexpert Nr	Description	OEM Nr	Application
340 00 520	Brake Disc Pads		SB7... Radial
			
			

Truckexpert Nr	Description	OEM Nr	Application
340 00 521	Brake Disc Pads		SB7... Radial
			
			

SB6/SB7

Truckexpert Nr	Description	OEM Nr	Application
346 01 559	Adjusting Mechanism Cap	II17934004	SB7... Radial
			

Truckexpert Nr	Description	OEM Nr	Application
346 01 571	Caliper Sensor Cover Gear Shaft		SB7... Radial
			

Truckexpert Nr	Description	OEM Nr	Application
346 01 560	Adjusting Mechanism Adapter	02.2400.11.00	SB7... Radial
			

Truckexpert Nr	Description	OEM Nr	Application				
346 02 239	Caliper Cover Bolt Kit		SB7... Radial				
							
<table border="1" style="width: 100%; border-collapse: collapse;"> <tr> <td style="width: 20%;">346 02 238</td> <td style="width: 50%;">Bolt M12 x 1.75 / 80 mm</td> <td style="width: 10%; text-align: center;">8</td> <td style="width: 20%;"></td> </tr> </table>				346 02 238	Bolt M12 x 1.75 / 80 mm	8	
346 02 238	Bolt M12 x 1.75 / 80 mm	8					

Truckexpert Nr	Description	OEM Nr	Application
----------------	-------------	--------	-------------

346 02 220

Caliper Short Pin Repair Kit

K000421

**SB6...
SB7...**



346 01 545	Caliper Pin Rubber Bush - (Long)	1
346 01 546	Plastic Ring	1
346 01 544	Stop Ring Ø 35 mm	1
346 00 129	Caliper Pin Ø 32 / 80 mm	1
346 00 138	Pin Bolt M16 X 1.5 / 80 mm	1
346 00 166	Pin Bolt Ring	1
346 01 381	Brake Pad Spring	2

346 02 220/1 Caliper Short Pin Repair Kit Without Chrome Plated Pins

Truckexpert Nr	Description	OEM Nr	Application
----------------	-------------	--------	-------------

346 02 221

Caliper Short Pin Repair Kit

K048399K50

**SB6...
SB7...**



346 00 129	Caliper Pin Ø 32 / 80 mm	1
346 00 138	Pin Bolt M16 X 1.5 / 80 mm	1
346 01 549	Caliper Pin Rubber Bush - (Short)	1
346 01 546	Plastic Ring	1
346 01 547	Stop Ring Ø 39 mm	1
346 01 381	Brake Pad Spring	2

346 02 221/1 Caliper Short Pin Repair Kit Without Chrome Plated Pins

Truckexpert Nr	Description	OEM Nr	Application
----------------	-------------	--------	-------------

346 02 222

Brake Pad Retainer Repair Kit

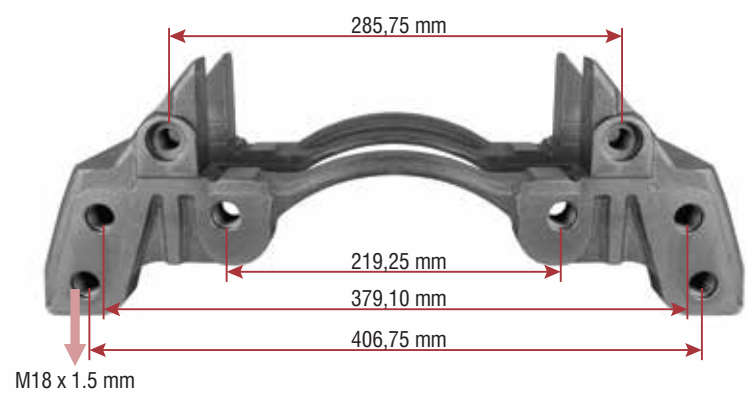
**K000946KNORR
SCANIA 1504808
SCANIA 1886091**

**SB6...
SB7...**

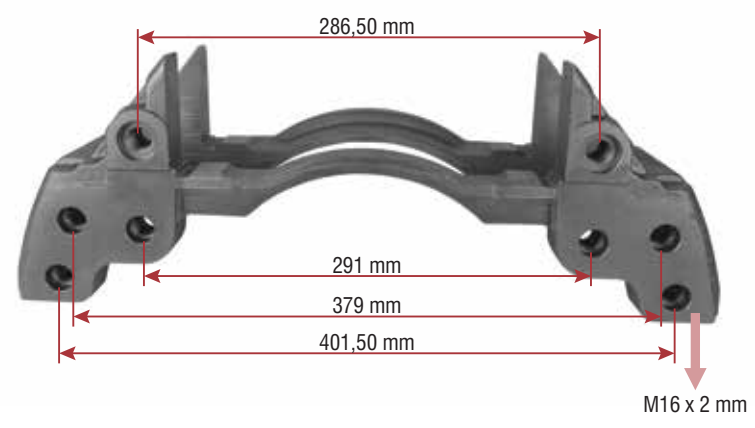


SB6/SB7

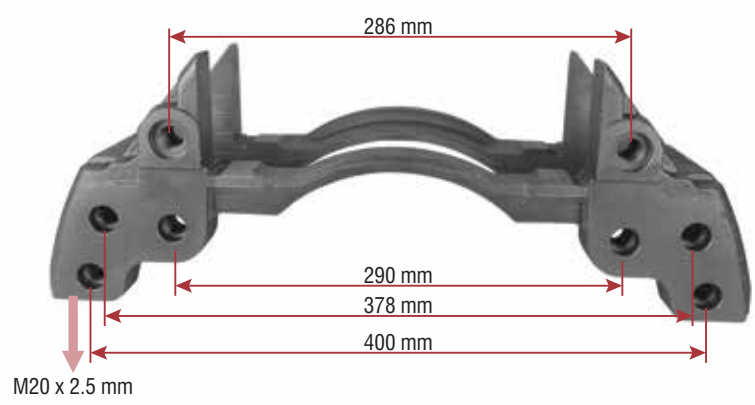
Truckexpert Nr	Description	OEM Nr	Application
346 01 359	Caliper Carrier	K001278	SB7... Radial



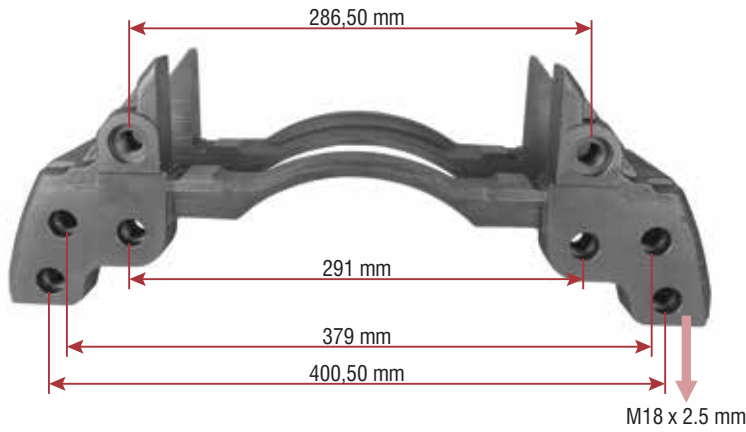
Truckexpert Nr	Description	OEM Nr	Application
346 01 360	Caliper Carrier		SB7... Radial



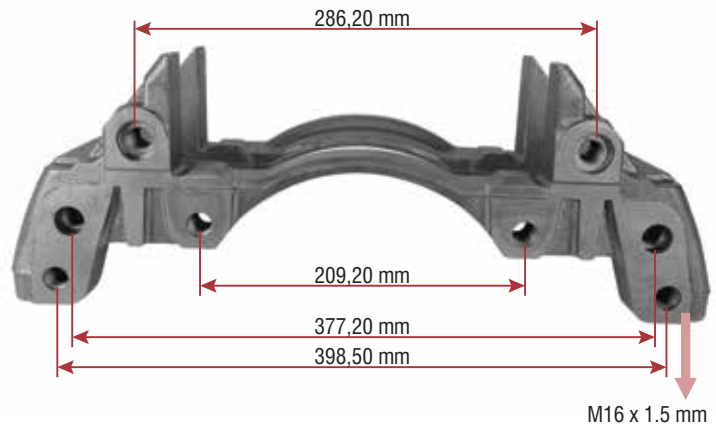
Truckexpert Nr	Description	OEM Nr	Application
346 01 361	Caliper Carrier		SB7... Radial



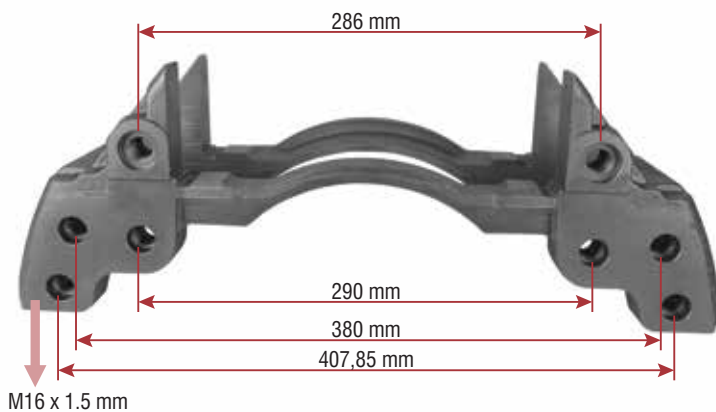
Truckexpert Nr	Description	OEM Nr	Application
346 01 362	Caliper Carrier	K001528 K011479	SB7... Radial



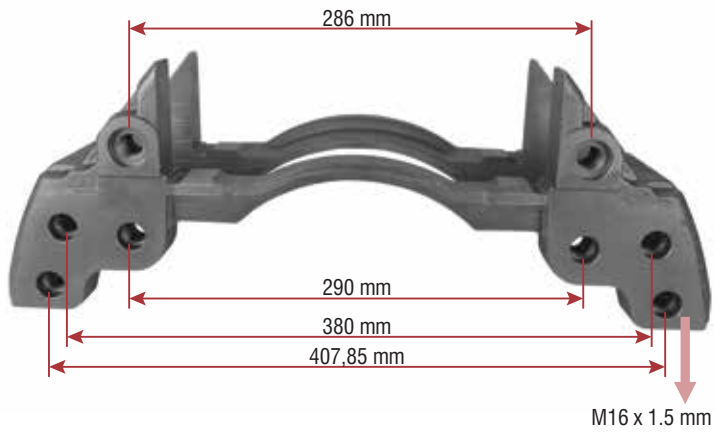
Truckexpert Nr	Description	OEM Nr	Application
346 02 037	Caliper Carrier (22,50" Front)	K000026 Z007541	SB7... SN7 Radial



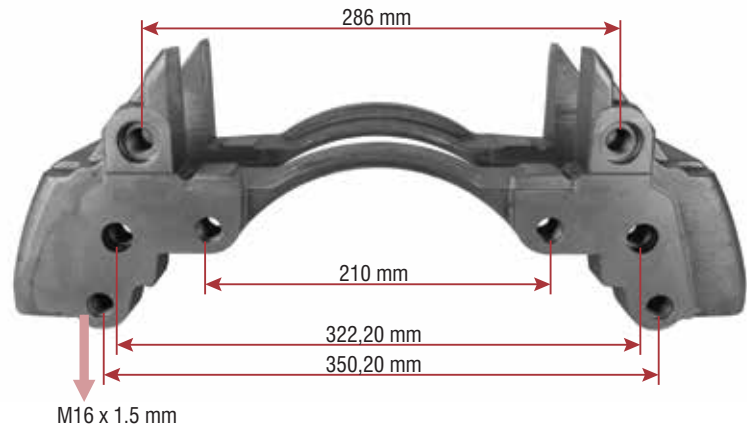
Truckexpert Nr	Description	OEM Nr	Application
346 01 363	Caliper Carrier (22,50" Left)	K001529	SB7... Radial



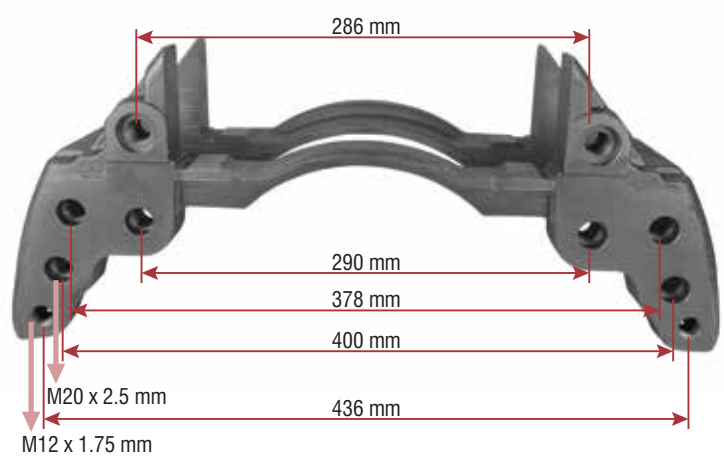
Truckexpert Nr	Description	OEM Nr	Application
346 01 364	Caliper Carrier (Right)	K001530 0004213806	SB7... Radial



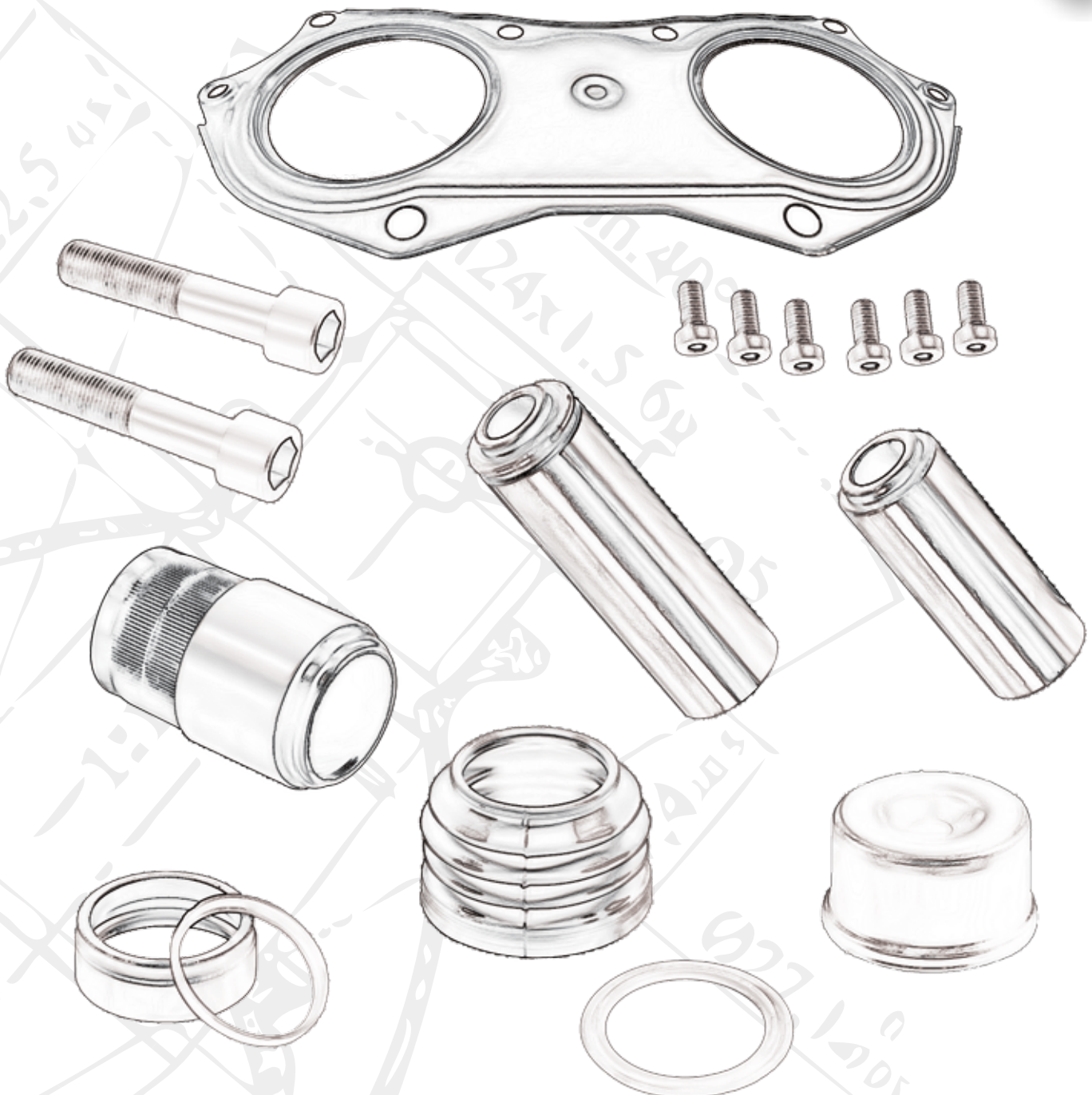
Truckexpert Nr	Description	OEM Nr	Application
346 01 366	Caliper Carrier	K000027 Z006582	SB7... Radial




Truckexpert Nr	Description	OEM Nr	Application
346 01 369	Caliper Carrier	K010765 Z006588	SB7... Radial



SN6... / SN7... / SK7...



Truckexpert Nr	Description	OEM Nr	Application
346 01 386	Caliper Pin Repair Kit	K067417K50	SN6... SN7... SK7...



346 00 132	Caliper Pin - Ø 36 / 114 mm	1
346 00 129	Caliper Pin - Ø 32 / 80 mm	1
346 00 139	Pin Bolt - M16 x 1.5 / 85 mm	1
346 00 138	Pin Bolt - M16 x 1.5 / 80 mm	1
346 00 154	Bush - Ø 36 x 40 / 82 mm	1
346 01 545	Rubber Bush	1
346 01 546	Plastic Ring	1
346 01 547	Stop Ring - Ø 39 mm	1
346 01 544	Pin Rubber Bush - (Short) - Ø 35 mm	1
346 00 166	Pin Bolt Ring	1
346 00 198	Pin Boot - (Red)	1
346 01 539	Ring - (White)	1
346 00 160	Pin Cap - Ø 40 / 14.5 mm	1
346 00 161	Steel Cap	1
346 01 543	O-ring	1
346 01 541	Grease - 5 g	1

346 01 386/1 Caliper Pin Repair Kit Without Chrome Plated Pins

Truckexpert Nr	Description	OEM Nr	Application
346 00 084	Caliper Pin Repair Kit	K000472	SN6... SN7... SK7...



346 00 132	Caliper Pin - Ø 36 / 114 mm	1
346 00 129	Caliper Pin - Ø 32 / 80 mm	1
346 00 139	Pin Bolt - M16 x 1.5 / 85 mm	1
346 00 138	Pin Bolt - M16 x 1.5 / 80 mm	1
346 00 154	Bush - Ø 36 x 40 / 82 mm	1
346 01 545	Rubber Bush	1
346 01 546	Plastic Ring	1
346 01 547	Stop Ring - Ø 39 mm	1
346 00 166	Pin Bolt Ring	1
346 00 198	Pin Boot - (Red)	1
346 01 539	Ring - (White)	1
346 00 160	Pin Cap - Ø 40 / 14.5 mm	1
346 01 541	Grease - 5 g	1

346 00 084/1 Caliper Pin Repair Kit Without Chrome Plated Pins

Truckexpert Nr	Description	OEM Nr	Application
346 01 579	Caliper Cap Set		SN6... SN7... SK7...
			
		346 00 900	Pin Cap - Ø 40 / 11 mm 5

Truckexpert Nr	Description	OEM Nr	Application
346 00 088	Caliper Repair Set	K001915 K001925	SN6... SN7... SK7...
			
346 00 132	Caliper Pin - Ø 36 / 114 mm	1	
346 00 129	Caliper Pin - Ø 32 / 80 mm	1	
346 00 139	Pin Bolt - M16 x 1.5 / 85 mm	1	
346 00 138	Pin Bolt - M16 x 1.5 / 80 mm	1	
346 00 154	Bush - Ø 36 x 40 / 82 mm	1	
346 01 549	Rubber Bush	1	
346 01 546	Plastic Ring	1	
346 01 547	Stop Ring - Ø 39 mm	1	
346 00 198	Pin Boot - (Red)	1	
346 01 539	Ring - (White)	1	
346 00 160	Pin Cap - Ø 40 / 14.5 mm	1	
346 01 541	Grease - 5 g	1	

346 00 088/1 Caliper Pin Repair Kit Without Chrome Plated Pins

Truckexpert Nr	Description	OEM Nr	Application			
346 00 124	Caliper Cap Set		SN6... SN7... SK7...			
						
		<table border="1"> <tr> <td>346 00 160</td> <td>Pin Cap - Ø 40 / 14.5 mm</td> <td>5</td> </tr> </table>	346 00 160	Pin Cap - Ø 40 / 14.5 mm	5	
346 00 160	Pin Cap - Ø 40 / 14.5 mm	5				

Truckexpert Nr	Description	OEM Nr	Application
346 01 385	Caliper Pin And Pad Retainer Repair Kit	K003800	SN7...
			
346 01 561	Pad Retainer	1	
346 01 562	Split Cotter Pin	1	
346 01 563	Washer	1	
346 01 564	Pin	1	
346 00 132	Caliper Pin - Ø 36 / 114 mm	1	
346 00 129	Caliper Pin - Ø 32 / 80 mm	1	
346 00 139	Pin Bolt - M16 x 1.5 / 85 mm	1	
346 00 138	Pin Bolt - M16 x 1.5 / 80 mm	1	
346 00 166	Pin Bolt Ring	1	
346 01 539	Ring - (White)	1	
346 00 160	Pin Cap - Ø 40 / 14.5 mm	1	
346 01 560	Adjusting Mechanism Adapter	1	
346 01 558	Adjusting Mechanism Cap - (38 mm)	1	

346 01 385/1 Caliper Pin And Pad Retainer Repair Kit Without Chrome Plated Pins

Truckexpert Nr	Description	OEM Nr	Application
346 00 434	Caliper Pin & Pad Retainer Repair Kit	K013007	SK7...



346 00 132	Caliper Pin - Ø 36 / 114 mm	1
346 00 131	Caliper Pin - Ø 36 / 64 mm	1
346 00 139	Pin Bolt - M16 x 1.5 / 85 mm	1
346 00 809	Pin Bolt - M16 x 1.5 / 70 mm	1
346 01 665	Pad Retainer	1
346 01 562	Split Cotter Pin	1
346 01 563	Washer	1
346 01 564	Pin	1
346 01 539	Ring - (White)	2
346 00 899	Pin Cap - Ø 40 / 24.5 mm	1
346 00 160	Pin Cap - Ø 40 / 14.5 mm	1
346 01 560	Adjusting Mechanism Adapter	1
346 01 558	Adjusting Mechanism Cap - (35 mm)	1
346 01 541	Grease - 5 g	2

346 00 434/1 Caliper Pin & Pad Retainer Repair Kit Without Chrome Plated Pins

Truckexpert Nr	Description	OEM Nr	Application
346 00 968	Caliper Pin Repair Kit	K000365	SN6... SN7...



346 00 132	Caliper Pin - Ø 36 / 114 mm	1
346 00 129	Caliper Pin - Ø 32 / 80 mm	1
346 00 130	Caliper Pin - Ø 34 / 80 mm	1
346 00 139	Pin Bolt - M16 x 1.5 / 85 mm	2
346 00 138	Pin Bolt - M16 x 1.5 / 80 mm	1
346 00 154	Bush - Ø 36 x 40 / 82 mm	1
346 00 942	Rubber Bush - Ø 34 x 40 / 50 mm	1
346 01 549	Rubber Bush	1
346 01 546	Plastic Ring	1
346 01 547	Stop Ring - Ø 39 mm	1
346 00 198	Pin Boot - (Red)	1
346 01 539	Ring - (White)	1
346 00 900	Pin Cap - Ø 40 / 11 mm	1
346 00 161	Steel Cap	1
346 01 543	O-ring	1
346 01 541	Grease - 5 g	1


346 00 968/1 Caliper Pin Repair Kit Without Chrome Plated Pins

KNORR

SB6...
SB7...
SK7...

Truckexpert Nr	Description	OEM Nr	Application
346 01 586	Caliper Cap Set		SK7...
			
		346 00 899 Pin Cap - Ø 40 / 24.5 mm	5

Truckexpert Nr	Description	OEM Nr	Application
346 01 134	Caliper Short Pin Repair Kit		SN6... SN7... SK7...
			
346 00 131	Caliper Pin - Ø 36 / 64 mm	1	
346 00 809	Pin Bolt - M16 x 1.5 / 70 mm	1	
346 00 159	Bush - Ø 36 x 40 / 20 mm	1	
346 00 198	Pin Boot - (Red)	1	
346 01 539	Ring - (White)	1	
346 00 899	Pin Cap - Ø 40 / 24.5 mm	1	
346 01 541	Grease - 5 g	1	
346 01 134/1 Caliper Short Pin Repair Kit Without Chrome Plated Pins			

Truckexpert Nr	Description	OEM Nr	Application
346 00 106	Caliper Pin Repair Kit	K004100 K004168 K010766	SN6... SN7... SK7...
			
346 00 132	Caliper Pin - Ø 36 / 114 mm	1	
346 00 131	Caliper Pin - Ø 36 / 64 mm	1	
346 00 139	Pin Bolt - M16 x 1.5 / 85 mm	1	
346 00 809	Pin Bolt - M16 x 1.5 / 70 mm	1	
346 00 154	Bush - Ø 36 x 40 / 82 mm	1	
346 00 159	Bush - Ø 36 x 40 / 20 mm	1	
346 00 198	Pin Boot - (Red)	2	
346 01 539	Ring - (White)	2	
346 00 899	Pin Cap - Ø 40 / 24.5 mm	1	
346 00 160	Pin Cap - Ø 40 / 14.5 mm	1	
346 01 541	Grease - 5 g	2	
346 00 106/1 Caliper Pin Repair Kit Without Chrome Plated Pins			

Truckexpert Nr	Description	OEM Nr	Application
----------------	-------------	--------	-------------

346 00 945

Caliper Pin Rubber Bush

SN7...



346 01 556	Rubber Bush	1
346 01 547	Stop Ring - Ø 39 mm	1

Truckexpert Nr	Description	OEM Nr	Application
----------------	-------------	--------	-------------

346 00 440

Caliper Pin Repair Kit

K031844K50

SN7...



346 00 132	Caliper Pin - Ø 36 / 114 mm	1
346 00 840	Caliper Pin - Ø 32 / 84 mm	1
346 00 139	Pin Bolt - M16 x 1.5 / 85 mm	1
346 00 138	Pin Bolt - M16 x 1.5 / 80 mm	1
346 00 154	Bush - Ø 36 x 40 / 82 mm	1
346 01 556	Rubber Bush	1
346 01 547	Stop Ring - Ø 39 mm	1
346 00 198	Pin Boot - (Red)	1
346 01 539	Ring - (White)	1
346 00 911	Pin Boot - (Black)	1
346 01 555	Ring - (Red)	1
346 00 161	Steel Cap	1
346 01 543	O-ring	1
346 00 901	Pin Cap - Ø 40 / 36.5 mm	1
346 00 160	Pin Cap - Ø 40 / 14.5 mm	1
346 01 541	Grease - 5 g	1

346 00 440/1 Caliper Pin Repair Kit Without Chrome Plated Pins

Truckexpert Nr	Description	OEM Nr	Application
346 01 370	Caliper Pin Repair Kit	K052759K50	NA7...



346 00 132	Caliper Pin - Ø 36 / 114 mm	1
346 01 371	Caliper Pin - Ø 32 / 88 mm	1
346 00 139	Pin Bolt - M16 x 1.5 / 85 mm	1
346 00 138	Pin Bolt - M16 x 1.5 / 80 mm	1
346 00 154	Bush - Ø 36 x 40 / 82 mm	1
346 01 545	Rubber Bush	1
346 01 546	Plastic Ring	1
346 01 547	Stop Ring - Ø 39 mm	1
346 00 198	Pin Boot - (Red)	1
346 01 539	Ring - (White)	1
346 00 160	Pin Cap - Ø 40 / 14.5 mm	1
346 01 541	Grease - 5 g	1

346 01 370/1 Caliper Pin Repair Kit Without Chrome Plated Pins

Truckexpert Nr	Description	OEM Nr	Application
346 00 749	Caliper Pin & Boot Set		SN6... SN7...

346 00 924	Thrust Part With Bellow - (69 mm)	2
346 00 933	Shaft Housing Boot	2
346 00 155	Bush - Ø 16 x 18 / 10 mm	2
346 00 198	Pin Boot - (Red)	1
346 01 539	Ring - (White)	1
346 00 150	Bellow Cap - (Black)	1
346 01 540	Clamp	1
346 00 154	Bush - Ø 36 x 40 / 82 mm	1
346 00 942	Rubber Bush - Ø 34 x 40 / 50 mm	1
346 00 161	Steel Cap	1
346 01 543	O-ring	1
346 01 558	Adjusting Mechanism Cap - (38 mm)	1
346 00 166	Pin Bolt Ring	1
346 01 541	Grease - 5 g	1



346 00 749/1 Caliper Pin & Boot Set Without Chrome Plated Tappets

Truckexpert Nr	Description	OEM Nr	Application
346 00 768	Caliper Pin & Boot Set		SN6... SN7...



346 00 924	Thrust Part With Bellow - (69 mm)	2
346 00 155	Bush - Ø 16 x 18 / 10 mm	2
346 00 198	Pin Boot - (Red)	1
346 01 539	Ring - (White)	1
346 00 150	Bellow Cap - (Black)	1
346 01 540	Clamp	1
346 00 942	Rubber Bush - Ø 34 x 40 / 50 mm	1
346 01 541	Grease - 5 g	1

346 00 768/1 Caliper Pin & Boot Set Without Chrome Plated Tappets

Truckexpert Nr	Description	OEM Nr	Application
346 00 075	Caliper Tappet Set		SN6... SN7... SK7...



346 00 924	Thrust Part With Bellow - (69 mm)	2
346 00 155	Bush - Ø 16 x 18 / 10 mm	2
346 01 541	Grease - 5 g	1

346 00 075/1 Caliper Tappet Set Without Chrome Plated Tappets

Truckexpert Nr	Description	OEM Nr	Application
346 00 076	Caliper Tappet & Boot Set		SN6... SN7... SK7...



346 00 924	Thrust Part With Bellow - (69 mm)	1
346 00 933	Shaft Housing Boot	1
346 00 155	Bush - Ø 16 x 18 / 10 mm	1
346 01 541	Grease - 5 g	1

346 00 076/1 Caliper Tappet & Boot Set Without Chrome Plated Tappets

Truckexpert Nr	Description	OEM Nr	Application
346 00 748	Caliper Boots & Piston Repair Kits		SN6... SN7... SK7...



346 00 155	Bush - Ø 16 x 18 / 10 mm	2
346 00 924	Thrust Part With Bellow - (69 mm)	2
346 00 150	Bellow Cap - (Black)	1
346 00 942	Rubber Bush - Ø 34 x 40 / 50 mm	1
346 01 539	Ring - (White)	1
346 00 198	Pin Boot - (Red)	1
346 01 541	Grease - 5 g	1

346 00 748/1 Caliper Boots & Piston Repair Kits Without Chrome Plated Tappets

Truckexpert Nr	Description	OEM Nr	Application
----------------	-------------	--------	-------------

346 00 766

Caliper Pin & Boot Set

SN6...
SN7...
SK7...



346 00 924	Thrust Part With Bellow - (69 mm)	1
346 00 933	Shaft Housing Boot	1
346 00 155	Bush - Ø 16 x 18 / 10 mm	1
346 00 198	Pin Boot - (Red)	1
346 01 539	Ring - (White)	1
346 00 150	Bellow Cap - (Black)	1
346 00 942	Rubber Bush - Ø 34 x 40 / 50 mm	1
346 01 541	Grease - 5 g	1

346 00 766/1 Caliper Pin & Boot Set Without Chrome Plated Tappets

Truckexpert Nr	Description	OEM Nr	Application
----------------	-------------	--------	-------------

346 01 028

Caliper Pin Repair Kit

SN6...
SN7...
SK7...



346 00 132	Caliper Pin - Ø 36 / 114 mm	1
346 00 131	Caliper Pin - Ø 36 / 64 mm	1
346 00 139	Pin Bolt - M16 x 1.5 / 85 mm	1
346 00 809	Pin Bolt - M16 x 1.5 / 70 mm	1
346 00 154	Bush - Ø 36 x 40 / 82 mm	1
346 00 159	Bush - Ø 36 x 40 / 20 mm	1
346 00 198	Pin Boot - (Red)	2
346 01 539	Ring - (White)	2
346 00 899	Pin Cap - Ø 40 / 24.5 mm	1
346 00 160	Pin Cap - Ø 40 / 14.5 mm	1
346 01 585	Adjusting Mechanism Cap - (35 mm)	1
346 01 541	Grease - 5 g	1

346 01 028/1 Caliper Pin Repair Kit Without Chrome Plated Pins

Truckexpert Nr	Description	OEM Nr	Application
346 01 396	Caliper Pin Repair Kit		SN6... SN7... SK7...



346 00 132	Caliper Pin - Ø 36 / 114 mm	1
346 00 129	Caliper Pin - Ø 32 / 80 mm	1
346 00 139	Pin Bolt - M16 x 1.5 / 85 mm	1
346 00 138	Pin Bolt - M16 x 1.5 / 80 mm	1
346 00 198	Pin Boot - (Red)	1
346 01 539	Ring - (White)	1
346 00 154	Bush - Ø 36 x 40 / 82 mm	1
346 00 900	Pin Cap - Ø 40 / 11 mm	1
346 01 549	Rubber Bush	1
346 01 546	Plastic Ring	1
346 01 547	Stop Ring - Ø 39 mm	1

346 01 396/1 Caliper Pin Repair Kit Without Chrome Plated Pins

Truckexpert Nr	Description	OEM Nr	Application
346 00 441	Caliper Pin Repair Kit	K001925	SN6... SN7... SK7...



346 00 838	Caliper Pin - Ø 36 / 102 mm	1
346 00 129	Caliper Pin - Ø 32 / 80 mm	1
346 00 139	Pin Bolt - M16 x 1.5 / 85 mm	1
346 00 138	Pin Bolt - M16 x 1.5 / 80 mm	1
346 00 873	Bush - Ø 36 x 40 / 75 mm	1
346 01 549	Rubber Bush	1
346 01 546	Plastic Ring	1
346 01 547	Stop Ring - Ø 39 mm	1
346 01 539	Pin Boot Ring (White)	1
346 00 198	Pin Boot - (Red)	1
346 00 160	Pin Cap - Ø 40 / 14,5 mm	1
346 01 541	Grease - 5 g	1

346 00 441/1 Caliper Pin Repair Kit Without Chrome Plated Pins

Truckexpert Nr	Description	OEM Nr	Application
----------------	-------------	--------	-------------

346 00 071 Brake Pad Retainer Repair Kit

K000129 SN7...



346 01 561	Pad Retainer	1
346 01 562	Split Cotter Pin	1
346 01 563	Washer	1
346 01 564	Pin	1

Truckexpert Nr	Description	OEM Nr	Application
----------------	-------------	--------	-------------

346 00 437 Caliper Pad Retainer Repair Kit

K000884 SN7...



346 01 561	Pad Retainer	1
346 01 562	Split Cotter Pin	1
346 01 563	Washer	1
346 01 564	Pin	1

Truckexpert Nr	Description	OEM Nr	Application
----------------	-------------	--------	-------------

346 01 123 Brake Pad Retainer Repair Kit

SN7...



346 01 561	Pad Retainer	2
346 01 562	Split Cotter Pin	2
346 01 563	Washer	2
346 01 564	Pin	2
346 01 558	Adjusting Mechanism Cap - (38 mm)	2
346 01 559	Adjusting Mechanism Cap	2
346 01 560	Adjusting Mechanism Adapter	1

Truckexpert Nr	Description	OEM Nr	Application
----------------	-------------	--------	-------------


346 00 442 Brake Pad Retainer Repair Kit

K002311 SN7...



346 01 391	Caliper Cable Protection Kit	2
346 01 561	Pad Retainer	2
346 01 562	Split Cotter Pin	2
346 01 563	Washer	2
346 01 564	Pin	2
346 01 558	Adjusting Mechanism Cap - (38 mm)	2
346 01 559	Adjusting Mechanism Cap	2
346 01 560	Adjusting Mechanism Adapter	1

Truckexpert Nr	Description	OEM Nr	Application
346 00 969	Brake Pad Retainer Repair Kit	K000133	SN6... SK7...



346 01 665	Pad Retainer	1
346 01 562	Split Cotter Pin	1
346 01 563	Washer	1
346 01 564	Pin	1

Truckexpert Nr	Description	OEM Nr	Application
346 01 383	Brake Pad Retainer Repair Kit		SN6... SK7...




346 01 665	Pad Retainer	1
346 01 562	Split Cotter Pin	1
346 01 563	Washer	1
346 01 564	Pin	1
346 01 391	Caliper Cable Protection Kit	1

Truckexpert Nr	Description	OEM Nr	Application
346 01 382	Brake Pad Retainer Repair Kit		SN6... SK7...




346 01 665	Pad Retainer	2
346 01 562	Split Cotter Pin	2
346 01 563	Washer	2
346 01 564	Pin	2
346 01 558	Adjusting Mechanism Cap - (38 mm)	2
346 01 559	Adjusting Mechanism Cap	2
346 01 560	Adjusting Mechanism Adapter	2
346 01 381	Brake Pad Retainer	4

Truckexpert Nr	Description	OEM Nr	Application
346 01 380	Brake Pad Retainer Repair Kit		SN6... SK7...



346 01 391	Caliper Cable Protection Kit	2
346 01 665	Pad Retainer	2
346 01 562	Split Cotter Pin	2
346 01 563	Washer	2
346 01 564	Pin	2
346 01 558	Adjusting Mechanism Cap - (38 mm)	2
346 01 559	Adjusting Mechanism Cap	2
346 01 560	Adjusting Mechanism Adapter	2
346 01 381	Brake Pad Retainer	4

Truckexpert Nr	Description	OEM Nr	Application
346 01 391	Caliper Cable Protection Kit		SN6... SN7... SK7...
			

Truckexpert Nr	Description	OEM Nr	Application
346 00 394	Brake Pad Retainer & Adapter Repair Kit		SN6... SN7... SK7...
			
346 01 560	Adjusting Mechanism Adapter	1	
346 01 558	Adjusting Mechanism Cap - (38 mm)	2	
346 01 562	Split Cotter Pin	2	
346 01 563	Washer	2	
346 01 564	Pin	2	

Truckexpert Nr	Description	OEM Nr	Application
346 01 377	Caliper Head Sealing Plug Set		SN6... SN7... SK7...
			
346 01 378	Caliper Head Sealing Plug	5	

Truckexpert Nr	Description	OEM Nr	Application
346 00 069	Caliper Sensor Cover - (Without Sensor)		SN6... SN7... SK7...



Truckexpert Nr	Description	OEM Nr	Application
346 00 413	Caliper Sensor Cover - (2 Cable Sensor)		SN6... SN7... SK7...



Truckexpert Nr	Description	OEM Nr	Application
346 00 414	Caliper Sensor Cover - (3 Cable Sensor)		SN6... SN7... SK7...



Truckexpert Nr	Description	OEM Nr	Application
346 00 415	Caliper Sensor Cover - (MAN Type 3 Cable Sensor)		SN6... SN7... SK7...



Truckexpert Nr	Description	OEM Nr	Application
346 00 420	Caliper Sensor Cover - (Without Sensor)		SN6... SN7... SK7...



Truckexpert Nr	Description	OEM Nr	Application
346 00 421	Caliper Sensor Cover - (2 Cable Sensor)		SN6... SN7... SK7...



Truckexpert Nr	Description	OEM Nr	Application
346 00 422	Caliper Sensor Cover - (3 Cable Sensor)		SN6... SN7... SK7...




Truckexpert Nr	Description	OEM Nr	Application			
346 01 375	Caliper Actuator Seal Set		SN6... SN7... SK7...			
		<table border="1"> <tr> <td>346 01 376</td> <td>Caliper Actuator Seal - Ø 42,00 mm</td> <td>5</td> </tr> </table>		346 01 376	Caliper Actuator Seal - Ø 42,00 mm	5
346 01 376	Caliper Actuator Seal - Ø 42,00 mm	5				

Truckexpert Nr	Description	OEM Nr	Application			
346 01 372	Caliper Actuator Seal Set		SN6... SN7... SK7...			
		<table border="1"> <tr> <td>346 01 373</td> <td>Caliper Actuator Seal - Ø 45,00 mm</td> <td>5</td> </tr> </table>		346 01 373	Caliper Actuator Seal - Ø 45,00 mm	5
346 01 373	Caliper Actuator Seal - Ø 45,00 mm	5				


Truckexpert Nr	Description	OEM Nr	Application												
346 00 054	Shaft Housing Assembly		SN6... SN7...												
		<table border="1"> <tr> <td>346 01 143</td> <td>Caliper Shaft Housing</td> <td>1</td> </tr> <tr> <td>346 01 567</td> <td>Shaft Housing Pin</td> <td>1</td> </tr> <tr> <td>346 01 568</td> <td>Shaft Housing Pin Clamp</td> <td>2</td> </tr> <tr> <td>346 01 569</td> <td>Shaft Housing Spring</td> <td>1</td> </tr> </table>		346 01 143	Caliper Shaft Housing	1	346 01 567	Shaft Housing Pin	1	346 01 568	Shaft Housing Pin Clamp	2	346 01 569	Shaft Housing Spring	1
346 01 143	Caliper Shaft Housing	1													
346 01 567	Shaft Housing Pin	1													
346 01 568	Shaft Housing Pin Clamp	2													
346 01 569	Shaft Housing Spring	1													

Truckexpert Nr	Description	OEM Nr	Application																		
346 00 046	Shaft Housing Set		SN6... SN7...																		
		<table border="1"> <tr> <td>346 01 143</td> <td>Caliper Shaft Housing</td> <td>1</td> </tr> <tr> <td>346 01 567</td> <td>Shaft Housing Pin</td> <td>1</td> </tr> <tr> <td>346 01 568</td> <td>Shaft Housing Pin Clamp</td> <td>2</td> </tr> <tr> <td>346 01 569</td> <td>Shaft Housing Spring</td> <td>1</td> </tr> <tr> <td>346 00 151</td> <td>Lever Bearing</td> <td>1</td> </tr> <tr> <td>346 00 135</td> <td>Calibration Bolt - (3 Thread)</td> <td>2</td> </tr> </table>		346 01 143	Caliper Shaft Housing	1	346 01 567	Shaft Housing Pin	1	346 01 568	Shaft Housing Pin Clamp	2	346 01 569	Shaft Housing Spring	1	346 00 151	Lever Bearing	1	346 00 135	Calibration Bolt - (3 Thread)	2
346 01 143	Caliper Shaft Housing	1																			
346 01 567	Shaft Housing Pin	1																			
346 01 568	Shaft Housing Pin Clamp	2																			
346 01 569	Shaft Housing Spring	1																			
346 00 151	Lever Bearing	1																			
346 00 135	Calibration Bolt - (3 Thread)	2																			

Truckexpert Nr	Description	OEM Nr	Application
346 00 135	Calibration Bolt - (3 Thread)		SN6... SN7... SK7...



Truckexpert Nr	Description	OEM Nr	Application
346 00 048	Adjusting Mechanism Shaft		SN6... SN7... SK7...



Truckexpert Nr	Description	OEM Nr	Application
346 00 050	Pinion Shaft		SN6... SN7... SK7...



Truckexpert Nr	Description	OEM Nr	Application
346 00 122	Adjusting Mechanism Cap Set - (38 mm)	K000029	SN6... SN7... SK7...



346 01 558	Adjusting Mechanism Cap - (38 mm)	10
346 01 560	Adjusting Mechanism Adapter	10

Truckexpert Nr	Description	OEM Nr	Application
346 00 436	Adjusting Mechanism Cap Set - (35 mm)	K003902	SN6... SN7... SK7... NA7...




346 01 585	Adjusting Mechanism Cap - (35 mm)	10
346 01 560	Adjusting Mechanism Adapter	10


KNORR

SB6...
SB7...
SK7...

Truckexpert Nr	Description	OEM Nr	Application
346 00 573	Pinion Shaft		SN6... SN7... SK7...



Truckexpert Nr	Description	OEM Nr	Application
346 00 575	Pinion Shaft		SN6... SN7... SK7...




Truckexpert Nr	Description	OEM Nr	Application
346 00 574	Pinion Shaft		SN6... SN7... SK7...



Truckexpert Nr	Description	OEM Nr	Application
346 00 971	Pinion Shaft		SN6... SN7... SK7...




Truckexpert Nr	Description	OEM Nr	Application
346 00 068	Caliper Cover		SN6... SN7... SK7...



346 01 580	Caliper Cover	1
346 01 581	Bolt	8

Truckexpert Nr	Description	OEM Nr	Application
346 00 585	Caliper Cover		SN6... SN7... SK7...



346 01 582	Caliper Cover	1
346 01 581	Bolt	6
346 01 583	Bolt	2

Truckexpert Nr	Description	OEM Nr	Application
346 00 055	Shaft Housing Assembly		SN7... SK7...




346 01 138	Caliper Shaft Housing	1
346 01 569	Shaft Housing Spring	1

Truckexpert Nr	Description	OEM Nr	Application
346 00 047	Shaft Housing Set		SN7... SK7...



346 01 138	Caliper Shaft Housing	1
346 01 569	Shaft Housing Spring	1
346 00 135	Calibration Bolt - (3 Thread)	2

Truckexpert Nr	Description	OEM Nr	Application
346 01 570	Caliper Sensor Cover Gear Shaft		SN6... SN7... SK7...




Truckexpert Nr	Description	OEM Nr	Application
346 00 974	Caliper Sensor Cover Gear Shaft Set - (9 mm)		SN6... SN7... SK7...




346 01 576 Caliper Sensor Cover Gear Shaft - (9 mm) 5

Truckexpert Nr	Description	OEM Nr	Application
346 01 575	Caliper Sensor Cover Seal		SN6... SN7... SK7...




Truckexpert Nr	Description	OEM Nr	Application
346 01 379	Plastic Cover Seal Set		SN6... SN7... SK7...



346 01 575 Caliper Sensor Cover Seal 5

Truckexpert Nr	Description	OEM Nr	Application
346 01 565	Caliper Mechanism Gear		SN6... SN7... SK7...



Truckexpert Nr	Description	OEM Nr	Application
346 00 051	Caliper Mechanism Gear Set		SN6... SN7... SK7...



346 01 565 Caliper Mechanism Gear 5

Truckexpert Nr	Description	OEM Nr	Application
346 00 066	Calibration Shaft Chain		SN6... SN7... SK7...





Truckexpert Nr	Description	OEM Nr	Application
346 01 574	Caliper Sensor Cover Gasket		SN6... SN7... SK7...



Truckexpert Nr	Description	OEM Nr	Application
346 00 588	Caliper Sensor Cover Gear Shaft Set		SN6... SN7... SK7...
			
		346 01 572 Caliper Sensor Cover Gear Shaft Set 5	

Truckexpert Nr	Description	OEM Nr	Application
346 00 587	Caliper Sensor Cover Gear Shaft Set		SN6... SN7... SK7...
			
		346 01 570 Caliper Sensor Cover Gear Shaft 5	

Truckexpert Nr	Description	OEM Nr	Application
346 00 064	Roller Bearing Set		SN6... SN7... SK7...
			
		346 01 584 Roller Bearing 2	

Truckexpert Nr	Description	OEM Nr	Application
346 00 062	Roller Bearing Set		SN6... SN7... SK7...
			
		346 01 578 Roller Bearing 2	

Truckexpert Nr	Description	OEM Nr	Application
346 00 077	Caliper Tappet & Boot Set		SN6... SN7... SK7...



346 00 924	Thrust Part With Bellow - (69 mm)	1
346 00 155	Bush - Ø 16a x 18 / 10 mm	1
346 01 541	Grease - 5 g	1

346 00 077/1 Caliper Tappet & Boot Set Without Chrome Plated Tappets

Truckexpert Nr	Description	OEM Nr	Application
346 00 075	Caliper Tappet Set		SN6... SN7... SK7...



346 00 924	Thrust Part With Bellow - (69 mm)	2
346 00 155	Bush - Ø 16 x 18 / 10 mm	2
346 01 541	Grease - 5 g	1

346 00 075/1 Caliper Tappet Set Without Chrome Plated Tappets

Truckexpert Nr	Description	OEM Nr	Application
346 00 074	Caliper Tappet & Boot Set - (69 mm)	K001300 K010603 K000366	SN6... SN7... SK7... NA7...



346 00 924	Thrust Part With Bellow - (69 mm)	2
346 00 933	Shaft Housing Boot	2
346 00 155	Bush - Ø 16 x 18 / 10 mm	2
346 01 541	Grease - 5 g	1

346 00 074/1 Caliper Tappet & Boot Set - (69 mm) Without Chrome Plated Tappets

Truckexpert Nr	Description	OEM Nr	Application
----------------	-------------	--------	-------------

346 00 061

Caliper Lever

SN6...



Truckexpert Nr	Description	OEM Nr	Application
----------------	-------------	--------	-------------

346 01 136

Caliper Repair Set

SN6...



346 00 924	Thrust Part With Bellow - (69 mm)	2
346 00 933	Shaft Housing Boot	2
346 00 155	Bush - Ø 16 x 18 / 10 mm	2
346 01 138	Caliper Shaft Housing	1
346 01 569	Shaft Housing Spring	1
346 00 061	Lever	1
346 01 584	Roller Bearing	2
346 00 066	Calibration Shaft Chain	1
346 00 048	Adjusting Mechanism Shaft	1
346 00 050	Pinion Shaft	1
346 00 135	Calibration Bolt - (3 Thread)	2
346 01 541	Grease - 5 g	1

346 01 136/1 Caliper Repair Set Without Chrome Plated Tappets

Truckexpert Nr	Description	OEM Nr	Application
----------------	-------------	--------	-------------

346 00 056

Caliper Lever - Straight (Angle 0°)

SN6...



Truckexpert Nr	Description	OEM Nr	Application
----------------	-------------	--------	-------------

346 01 131

Caliper Repair Set

SN6...



346 00 924	Thrust Part With Bellow - (69 mm)	2
346 00 933	Shaft Housing Boot	2
346 00 155	Bush - Ø 16 x 18 / 10 mm	2
346 01 143	Caliper Shaft Housing	1
346 01 567	Shaft Housing Pin	1
346 01 568	Shaft Housing Pin Clamp	2
346 01 569	Shaft Housing Spring	1
346 00 056	Lever - Straight (Angle 0°)	1
346 01 584	Roller Bearing	2
346 00 066	Calibration Shaft Chain	1
346 00 048	Adjusting Mechanism Shaft	1
346 00 050	Pinion Shaft	1
346 00 135	Calibration Bolt - (3 Thread)	2
346 01 541	Grease - 5 g	1

346 01 131/1 Caliper Repair Set Without Chrome Plated Tappets

Truckexpert Nr	Description	OEM Nr	Application
346 00 058	Caliper Lever - Straight (Angle 0°)		SN7... SK7...



Truckexpert Nr	Description	OEM Nr	Application
346 01 132	Caliper Repair Set		SN7... SK7...



346 00 924	Thrust Part With Bellow - (69 mm)	2
346 00 933	Shaft Housing Boot	2
346 00 155	Bush - Ø 16 x 18 / 10 mm	2
346 01 143	Caliper Shaft Housing	1
346 01 567	Shaft Housing Pin	1
346 01 568	Shaft Housing Pin Clamp	2
346 01 569	Shaft Housing Spring	1
346 00 058	Lever - Straight (Angle 0°)	1
346 01 584	Roller Bearing	2
346 00 066	Calibration Shaft Chain	1
346 00 048	Adjusting Mechanism Shaft	1
346 00 050	Pinion Shaft	1
346 00 135	Calibration Bolt - (3 Thread)	2
346 01 541	Grease - 5 g	1

346 01 132/1 Caliper Repair Set Without Chrome Plated Tappets

Truckexpert Nr	Description	OEM Nr	Application
----------------	-------------	--------	-------------

346 01 051

Caliper Lever

SN7...
SK7...



Truckexpert Nr	Description	OEM Nr	Application
----------------	-------------	--------	-------------

346 01 137

Caliper Repair Set

SN7...
SK7...



346 00 924	Thrust Part With Bellow - (69 mm)	2
346 00 933	Shaft Housing Boot	2
346 00 155	Bush - Ø 16 x 18 / 10 mm	2
346 01 138	Caliper Shaft Housing	1
346 01 569	Shaft Housing Spring	1
346 01 051	Lever	1
346 01 584	Roller Bearing	2
346 00 066	Calibration Shaft Chain	1
346 00 048	Adjusting Mechanism Shaft	1
346 00 050	Pinion Shaft	1
346 00 135	Calibration Bolt - (3 Thread)	2
346 01 541	Grease - 5 g	1

346 01 137/1 Caliper Repair Set Without Chrome Plated Tappets

Truckexpert Nr	Description	OEM Nr	Application
346 00 060	Caliper Lever - (Angle 12°)		SN7... SK7...



Truckexpert Nr	Description	OEM Nr	Application
346 01 133	Caliper Repair Set		SN7... SK7...



346 00 924	Thrust Part With Bellow - (69 mm)	2
346 00 933	Shaft Housing Boot	2
346 00 155	Bush - Ø 16 x 18 / 10 mm	2
346 01 143	Caliper Shaft Housing	1
346 01 567	Shaft Housing Pin	1
346 01 568	Shaft Housing Pin Clamp	2
346 01 569	Shaft Housing Spring	1
346 00 060	Lever - (Angle 12°)	1
346 01 584	Roller Bearing	2
346 00 066	Calibration Shaft Chain	1
346 00 048	Adjusting Mechanism Shaft	1
346 00 050	Pinion Shaft	1
346 00 135	Calibration Bolt - (3 Thread)	2
346 01 541	Grease - 5 g	1

346 01 133/1 Caliper Repair Set Without Chrome Plated Tappets

Truckexpert Nr	Description	OEM Nr	Application
----------------	-------------	--------	-------------

346 00 580

Caliper Lever

SK7...



Truckexpert Nr	Description	OEM Nr	Application
----------------	-------------	--------	-------------

346 01 135

Caliper Repair Set

SK7...



346 00 924	Thrust Part With Bellow - (69 mm)	2
346 00 933	Shaft Housing Boot	2
346 00 155	Bush - Ø 16 x 18 / 10 mm	2
346 01 138	Caliper Shaft Housing	1
346 01 569	Shaft Housing Spring	1
346 00 580	Lever	1
346 01 584	Roller Bearing	2
346 00 066	Calibration Shaft Chain	1
346 00 048	Adjusting Mechanism Shaft	1
346 00 050	Pinion Shaft	1
346 00 135	Calibration Bolt - (3 Thread)	2
346 01 541	Grease - 5 g	1

346 01 135/1 Caliper Repair Set Without Chrome Plated Tappets

KNORR

SB6...
SB7...
SK7...

Truckexpert Nr	Description	OEM Nr	Application
340 00 520	Brake Disc Pads		SN7... SK7...



Truckexpert Nr	Description	OEM Nr	Application
340 00 521	Brake Disc Pads		SN7... SK7...



Truckexpert Nr	Description	OEM Nr	Application
346 01 397	Caliper Repair Kit New Model		SN7... SK7...



346 00 923	Thrust Part With Bellow - (74 mm)	2
346 00 146	Shaft Housing Boot	2
346 00 155	Bush - Ø 16 x 18 / 10 mm	2
346 01 541	Grease - 5 g	1
346 01 143	Caliper Shaft Housing	1
346 01 567	Shaft Housing Pin	1
346 01 568	Shaft Housing Pin Clamp	2
346 01 569	Shaft Housing Spring	1
346 00 135	Calibration Bolt - (3 Thread)	2
346 00 050	Pinion Shaft	1
346 00 048	Adjusting Mechanism Shaft	1
346 01 584	Roller Bearing	2
346 00 066	Calibration Shaft Chain	1
346 00 132	Caliper Pin - Ø 36 / 114 mm	1
346 00 129	Caliper Pin - Ø 32 / 80 mm	1
346 00 139	Pin Bolt - M16 x 1.5 / 85 mm	1
346 00 138	Pin Bolt - M16 x 1.5 / 80 mm	1
346 00 198	Pin Boot - (Red)	1
346 01 539	Ring - (White)	1
346 00 154	Bush - Ø 36 x 40 / 82 mm	1
346 00 900	Pin Cap - Ø 40 / 11 mm	1
346 01 549	Rubber Bush	1
346 01 546	Plastic Ring	1
346 01 547	Stop Ring - Ø 39 mm	1

346 01 397/1 Caliper Repair Kit New Model Without Chrome Plated Pins and Tappets

Truckexpert Nr

346 01 351

Description

Caliper Repair Kit Old Model

OEM Nr

Application

SN7...
SK7...



346 00 924	Thrust Part With Bellow - (69 mm)	2
346 00 933	Shaft Housing Boot	2
346 00 155	Bush - Ø 16 x 18 / 10 mm	2
346 00 135	Calibration Bolt - (3 Thread)	2
346 00 050	Pinion Shaft	1
346 00 048	Adjusting Mechanism Shaft	1
346 01 578	Roller Bearing	2
346 01 580	Sheet Metal Cap	1
346 01 581	Bolt	8
346 01 138	Caliper Shaft Housing	1
346 01 569	Shaft Housing Spring	1
346 00 066	Calibration Shaft Chain	1
346 00 132	Caliper Pin - Ø 36 / 114 mm	1
346 00 129	Caliper Pin - Ø 32 / 80 mm	1
346 00 139	Pin Bolt - M16 x 1.5 / 85 mm	1
346 00 138	Pin Bolt - M16 x 1.5 / 80 mm	1
346 00 154	Bush - Ø 36 x 40 / 82 mm	1
346 01 545	Rubber Bush	1
346 01 546	Plastic Ring	1
346 01 544	Stop Ring - Ø 35 mm	1
346 00 166	Pin Bolt Ring	1
346 00 198	Pin Boot - (Red)	1
346 01 539	Ring - (White)	1
346 00 161	Steel Cap	1
346 01 543	O-ring	1
346 01 541	Grease - 5 g	1

346 01 351/1 Caliper Repair Kit Old Model Without Chrome Plated Pins and Tappets

Truckexpert Nr	Description	OEM Nr	Application
346 02 230	Caliper Repair Set		SN6... SN7... SK7... SCANIA



346 00 048	Caliper Adjusting Mechanism Shaft	1
346 00 135	Caliper Calibration Bolt (3 Thread)	1
346 01 580	Pin Cap	1
346 01 581	Bolt M8 x 1.25 x 16	8
346 01 578	Caliper Needle Bearing	2
346 01 138	Shaft Housing	1
346 01 569	Shaft Housing Spring	1
346 00 050	Pinion Shaft	1
346 00 066	Caliper Calibration Shaft Chain (29 Links)	1
346 00 924	Caliper Tappet & Boot (69 mm)	2
346 00 155	Bush Ø 16 x 18 / 10 mm	2
346 00 933	Shaft Housing Boot	2
346 00 139	Pin Bolt M16 x 1.5 / 85 mm	1
346 00 154	Bush Ø 36 x 40 / 82 mm	1
346 00 198	Pin Boot (Red)	2
346 01 539	Ring (White)	2
346 00 132	Caliper Pin Ø 36 / 114 mm	1
346 01 505	Pin Bolt M16 x 1.5 / 70 mm	1
346 00 899	Pin Cap Ø 40 / 24.5 mm	1
346 00 160	Pin Cap Ø 40 / 14.5 mm	1
346 00 131	Caliper Pin Ø 36 / 64 mm	1
346 00 159	Bush Ø 36 x 40 / 20 mm	1
346 01 541	Grease - 5 g	1

346 02 230/1 Caliper Repair Set Without Chrome Plated Pins and Tappets

Truckexpert Nr	Description	OEM Nr	Application
346 02 231	Caliper Pin Repair Kit	MB 000 421 6174	SN6... SN7... SK7...



346 01 545	Caliper Pin Rubber Bush - (Long)	1
346 01 546	Plastic Ring	1
346 01 547	Stop Ring Ø 39 mm	1
346 00 130	Caliper Pin Ø 34 / 80 mm	1
346 00 139	Pin Bolt M16 x 1.5 / 85 mm	2
346 00 154	Bush Ø 36 x 40 / 82 mm	1
346 00 942	Rubber Brush Ø 34 x 40 / 50 mm	1
346 00 198	Pin Boot (Red)	1
346 01 539	Ring (White)	1
346 00 138	Pin Bolt M16 x 1.5 / 80 mm	1
346 00 161	Steel Cap	1
346 01 543	O Ring	1
346 00 132	Caliper Pin Ø 36 / 114 mm	1
346 00 160	Pin Cap Ø 40 / 14.5 mm	1
346 01 371	Caliper Pin Ø 32 / 88 mm	1
346 01 541	Grease - 5 g	1

346 02 231/1 Caliper Pin Repair Kit Without Chrome Plated Pins

Truckexpert Nr	Description	OEM Nr	Application
346 01 365	Caliper Repair Kit New Model		SN7... SK7...



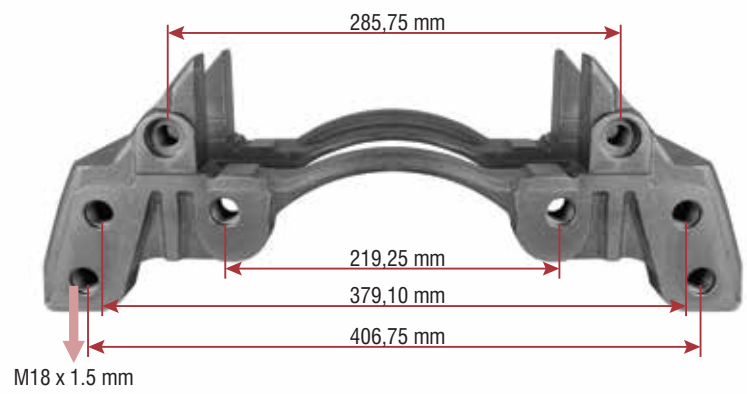
346 00 924	Thrust Part With Bellow - (69 mm)	2
346 00 933	Shaft Housing Boot	2
346 00 155	Bush - Ø 16 x 18 / 10 mm	2
346 00 135	Calibration Bolt - (3 Thread)	2
346 00 050	Pinion Shaft	1
346 00 048	Adjusting Mechanism Shaft	1
346 01 580	Sheet Metal Cap	1
346 01 581	Bolt	8
346 00 066	Calibration Shaft Chain	1
346 01 143	Caliper Shaft Housing	1
346 01 567	Shaft Housing Pin	1
346 01 568	Shaft Housing Pin Clamp	2
346 01 569	Shaft Housing Spring	1
346 01 584	Roller Bearing	2
346 00 132	Caliper Pin - Ø 36 / 114 mm	1
346 00 129	Caliper Pin - Ø 32 / 80 mm	1
346 00 139	Pin Bolt - M16 x 1.5 / 85 mm	1
346 00 138	Pin Bolt - M16 x 1.5 / 80 mm	1
346 00 198	Pin Boot - (Red)	1
346 01 539	Ring - (White)	1
346 00 154	Bush - Ø 36 x 40 / 82 mm	1
346 00 153	Caliper Pin Rubber Bush - (Long) - Ø 39 mm	1
346 00 900	Pin Cap - Ø 40 / 11 mm	1
346 00 166	Pin Bolt Ring	1

346 01 365/1 Caliper Repair Kit New Model Without Chrome Plated Pins and Tappets

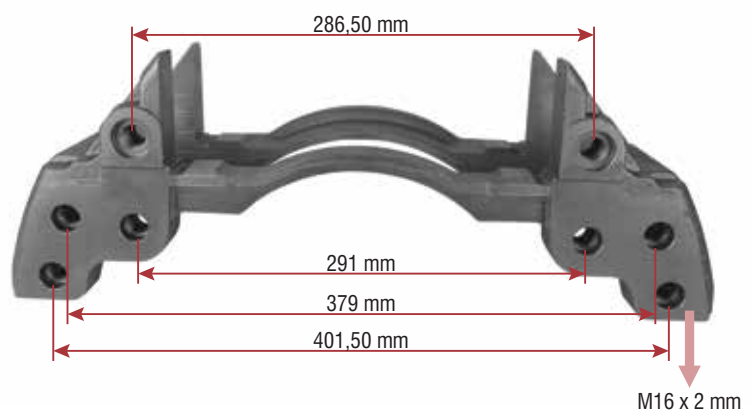
KNORR

SB6...
SB7...
SK7...

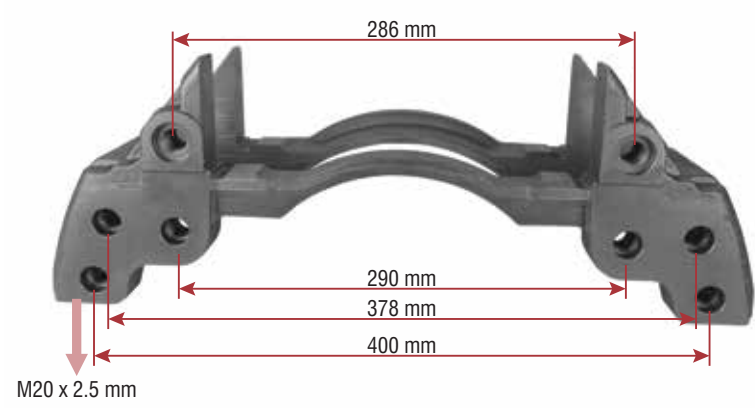
Truckexpert Nr	Description	OEM Nr	Application
346 01 359	Caliper Carrier	K001278	SN7... SK7...



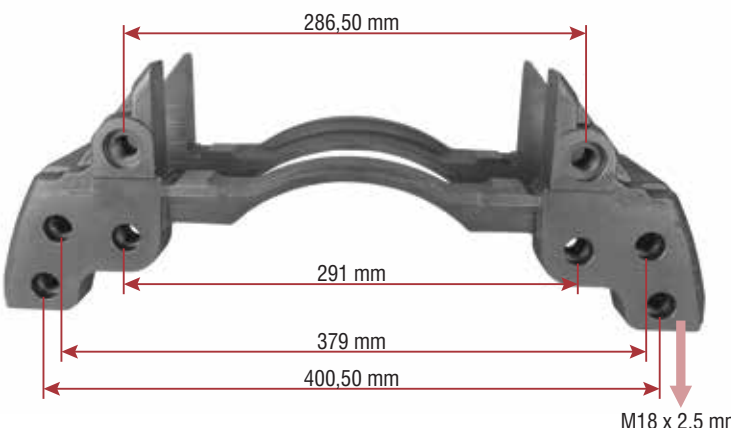
Truckexpert Nr	Description	OEM Nr	Application
346 01 360	Caliper Carrier		SN7... SK7...



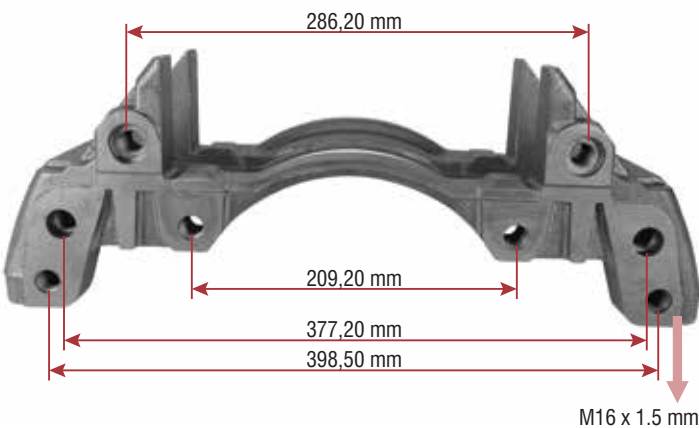
Truckexpert Nr	Description	OEM Nr	Application
346 01 361	Caliper Carrier		SN7... SK7...



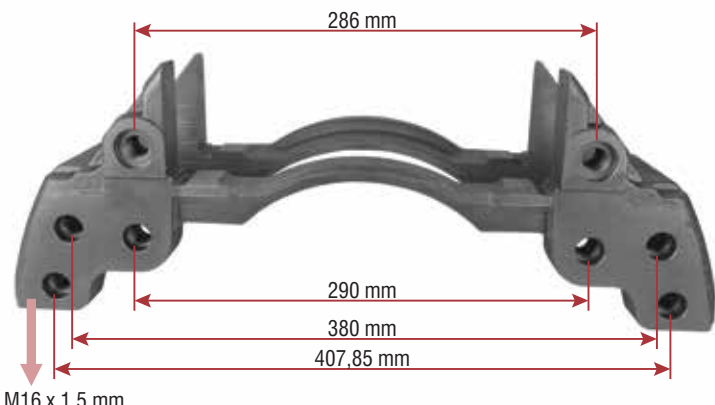
Truckexpert Nr	Description	OEM Nr	Application
346 01 362	Caliper Carrier	K001528 K011479 DAF 1689314	SN7... SK7...



Truckexpert Nr	Description	OEM Nr	Application
346 02 037	Caliper Carrier (22,50" Front)	K000026 MB AXOR 000 421 1106	SN7... SK7...



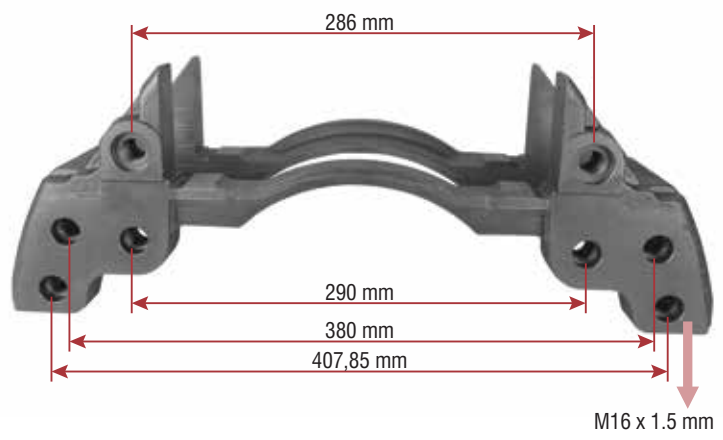
Truckexpert Nr	Description	OEM Nr	Application
346 01 363	Caliper Carrier (22,50" Left)	K001529 MB CONNECTO 000 421 3706	SN7... SK7...



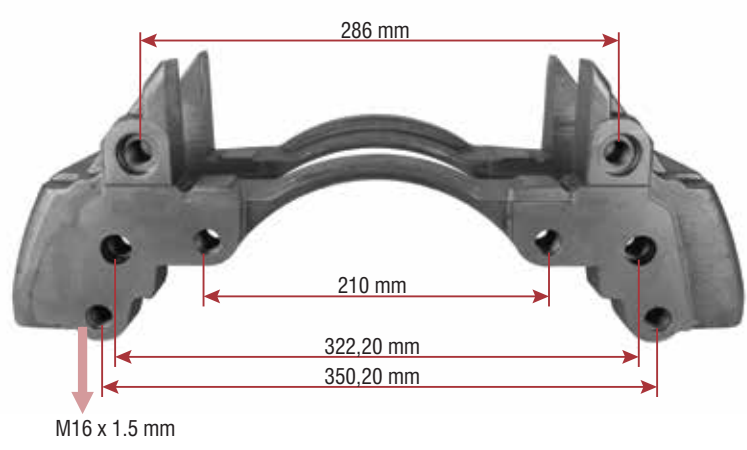
KNORR

SB6...
SB7...
SK7...

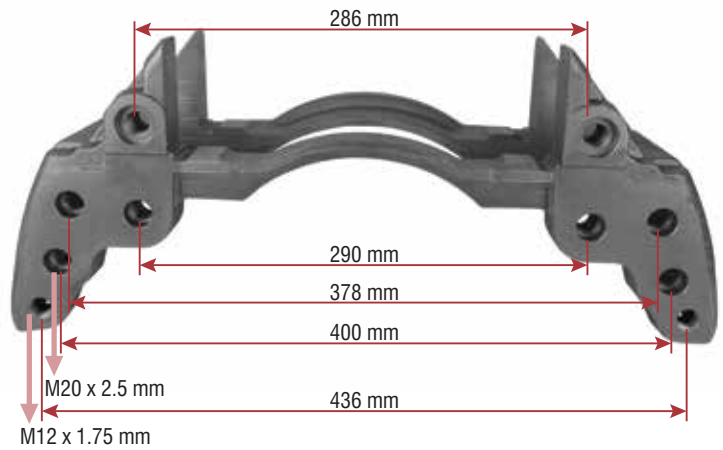
Truckexpert Nr	Description	OEM Nr	Application
346 01 364	Caliper Carrier (Right)	K001530 MB CONNECTO 000 421 3806	SN7... SK7...



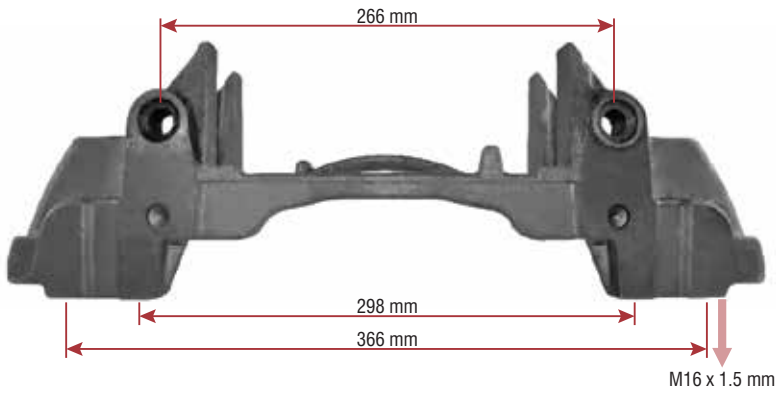
Truckexpert Nr	Description	OEM Nr	Application
346 01 366	Caliper Carrier	K000027 MB ACTROS 000 423 0606	SN7... SK7...



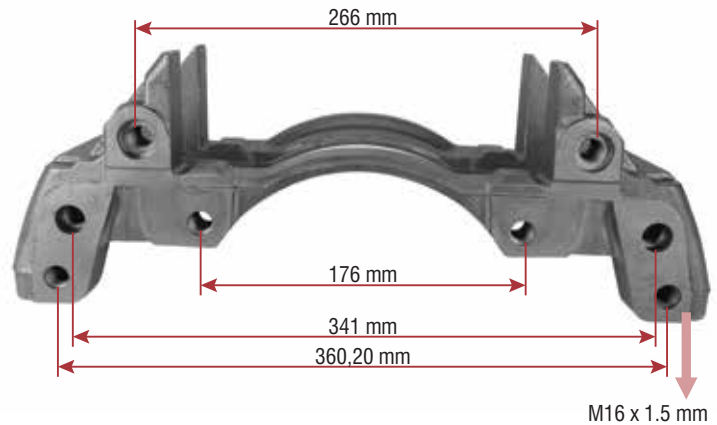
Truckexpert Nr	Description	OEM Nr	Application
346 01 369	Caliper Carrier	K010765 SCANIA 4 1756388	SN7... SK7...



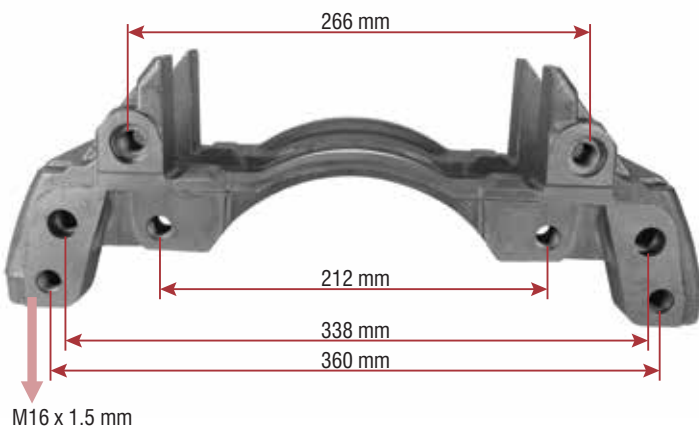
Truckexpert Nr	Description	OEM Nr	Application
346 01 358	Caliper Carrier	K012619 BPW 01.303.88.56.0	SN7... SK7...



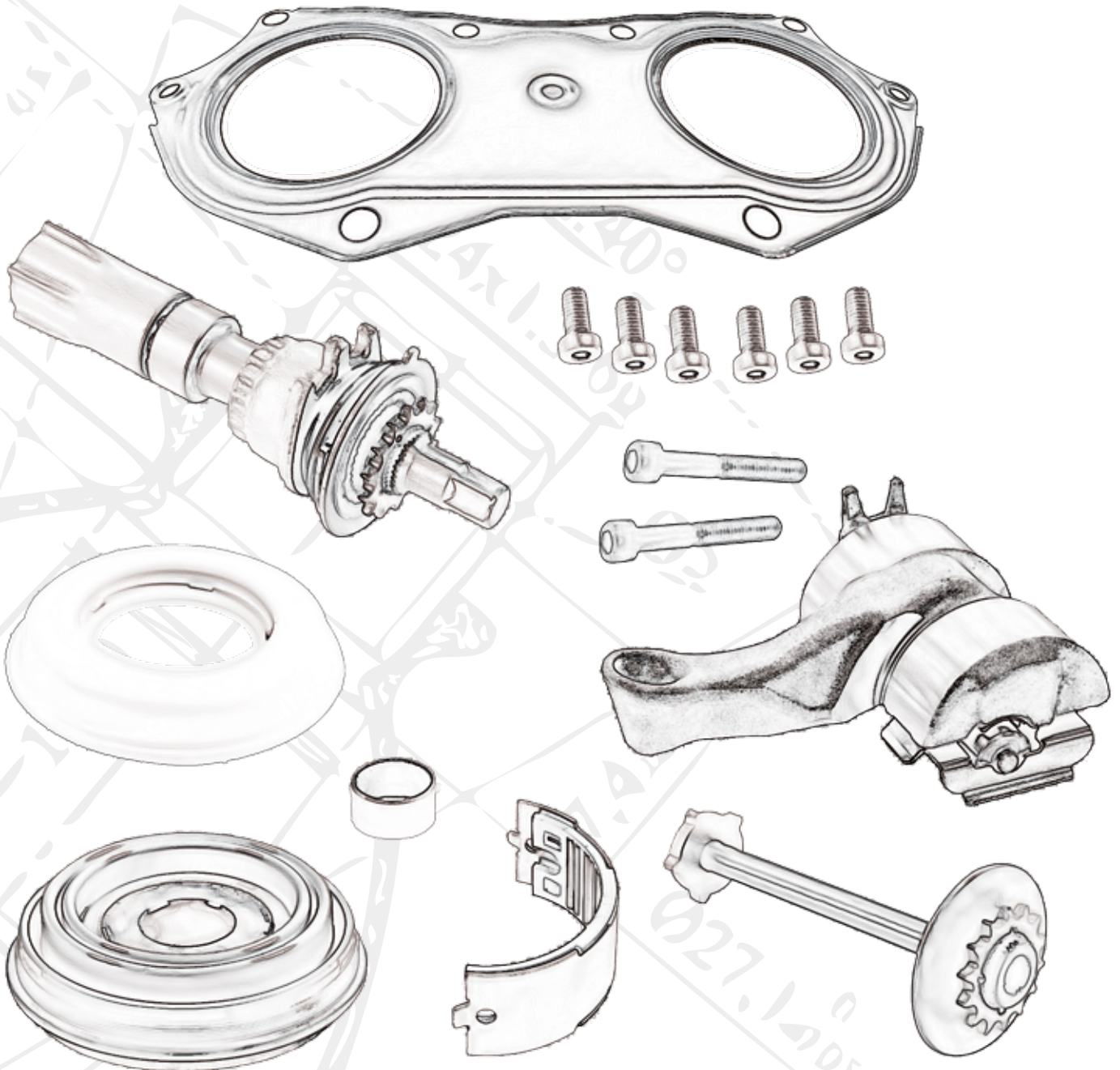
Truckexpert Nr	Description	OEM Nr	Application
346 01 367	Caliper Carrier	K001926 MB ATEGO 000 421 3106	SN7... SK7...



Truckexpert Nr	Description	OEM Nr	Application
346 01 368	Caliper Carrier	BMC	SN7... SK7...



SL7... / SM7...



Truckexpert Nr	Description	OEM Nr	Application
346 00 124	Caliper Cap Set		SL7... SM7...
346 00 160	Pin Cap - Ø 40 / 14.5 mm	5	

Truckexpert Nr	Description	OEM Nr	Application
346 00 088	Caliper Pin Repair Kit	K001915 K001925 K028451 K048389K50	SL7... SM7...
346 00 132	Caliper Pin - Ø 36 / 114 mm	1	
346 00 129	Caliper Pin - Ø 32 / 80 mm	1	
346 00 139	Pin Bolt - M16 x 1.5 / 85 mm	1	
346 00 138	Pin Bolt - M16 x 1.5 / 80 mm	1	
346 00 154	Bush - Ø 36 x 40 / 82 mm	1	
346 01 549	Rubber Bush	1	
346 01 546	Plastic Ring	1	
346 01 547	Stop Ring - Ø 39 mm	1	
346 00 198	Pin Boot - (Red)	1	
346 01 539	Ring - (White)	1	
346 00 160	Pin Cap - Ø 40 / 14.5 mm	1	
346 01 541	Grease - 5 g	1	

346 00 088/1 Caliper Pin Repair Kit Without Chrome Plated Pins

Truckexpert Nr	Description	OEM Nr	Application
346 01 043	Caliper Pin Repair Kit	K012912	SL7... SM7...
346 00 132	Caliper Pin - Ø 36 / 114 mm	1	
346 00 129	Caliper Pin - Ø 32 / 80 mm	1	
346 00 139	Pin Bolt - M16 x 1.5 / 85 mm	1	
346 00 138	Pin Bolt - M16 x 1.5 / 80 mm	1	
346 01 539	Ring - (White)	1	
346 00 160	Pin Cap - Ø 40 / 14.5 mm	1	
346 01 558	Adjusting Mechanism Cap - (38 mm)	1	
346 01 560	Adjusting Mechanism Adapter	1	
346 01 665	Pad Retainer	1	
346 01 562	Split Cotter Pin	1	
346 01 563	Washer	1	
346 01 564	Pin	1	
346 01 541	Grease - 5 g	1	

346 01 043/1 Caliper Pin Repair Kit Without Chrome Plated Pins

Truckexpert Nr	Description	OEM Nr	Application
346 01 377	Caliper Head Sealing Plug Set		SL7... SM7...
			
		346 01 378 Caliper Head Sealing Plug	5

Truckexpert Nr	Description	OEM Nr	Application
346 01 053	Caliper Plug Set		SL7... SM7...
			
		346 01 593 Caliper Plug	5

Truckexpert Nr	Description	OEM Nr	Application
346 01 052	Caliper Plug Set		SL7... SM7...
			
		346 01 592 Caliper Plug	5

Truckexpert Nr	Description	OEM Nr	Application
346 01 575	Caliper Sensor Cover Seal		SL7... SM7...
			

Truckexpert Nr	Description	OEM Nr	Application
346 00 069	Caliper Sensor Cover - (Without Sensor)		SL7... SM7...



Truckexpert Nr	Description	OEM Nr	Application
346 00 413	Caliper Sensor Cover - (2 Cable Sensor)		SL7... SM7...



Truckexpert Nr	Description	OEM Nr	Application
346 00 414	Caliper Sensor Cover - (3 Cable Sensor)		SL7... SM7...



Truckexpert Nr	Description	OEM Nr	Application
346 00 415	Caliper Sensor Cover - (MAN Type 3 Cable Sensor)		SL7... SM7...



Truckexpert Nr	Description	OEM Nr	Application
346 00 122	Adjusting Mechanism Cap Set - (38 mm)	K000029	SL7... SM7...



346 01 558	Adjusting Mechanism Cap - (38 mm)	10
346 01 560	Adjusting Mechanism Adapter	10

Truckexpert Nr	Description	OEM Nr	Application
346 00 972	Caliper Köprü Bağlantısı		SL7... SM7...




Truckexpert Nr	Description	OEM Nr	Application
346 00 151	Caliper Lever Bearing		SL7... SM7...




Truckexpert Nr	Description	OEM Nr	Application
346 01 574	Caliper Sensor Cover Gasket		SL7... SM7...



Truckexpert Nr	Description	OEM Nr	Application
346 01 565	Caliper Mechanism Gear		SL7... SM7...
			


Truckexpert Nr	Description	OEM Nr	Application				
346 00 051	Caliper Mechanism Gear Set		SL7... SM7...				
							
<table border="1" style="width: 100%; border-collapse: collapse;"> <tr> <td style="width: 25%;">346 01 565</td> <td style="width: 50%;">Caliper Mechanism Gear</td> <td style="width: 10%; text-align: center;">5</td> <td style="width: 15%;"></td> </tr> </table>				346 01 565	Caliper Mechanism Gear	5	
346 01 565	Caliper Mechanism Gear	5					

Truckexpert Nr	Description	OEM Nr	Application
346 01 570	Caliper Sensor Cover Gear Shaft		SL7... SM7...
			

Truckexpert Nr	Description	OEM Nr	Application				
346 00 587	Caliper Sensor Cover Gear Shaft Set		SL7... SM7...				
							
<table border="1" style="width: 100%; border-collapse: collapse;"> <tr> <td style="width: 25%;">346 01 570</td> <td style="width: 50%;">Caliper Sensor Cover Gear Shaft</td> <td style="width: 10%; text-align: center;">5</td> <td style="width: 15%;"></td> </tr> </table>				346 01 570	Caliper Sensor Cover Gear Shaft	5	
346 01 570	Caliper Sensor Cover Gear Shaft	5					

Truckexpert Nr	Description	OEM Nr	Application
346 00 974	Caliper Sensor Cover Gear Shaft Set - (9 mm)		SL7... SM7...
			
		346 01 576	Caliper Sensor Cover Gear Shaft - (9 mm) 5

Truckexpert Nr	Description	OEM Nr	Application
346 00 588	Caliper Sensor Cover Gear Shaft Set		SL7... SM7...
			
		346 01 572	Caliper Sensor Cover Gear Shaft 5

Truckexpert Nr	Description	OEM Nr	Application
346 00 066	Calibration Shaft Chain		SL7... SM7...
			

Truckexpert Nr	Description	OEM Nr	Application
346 00 048	Adjusting Mechanism Shaft		SL7... SM7...
			

Truckexpert Nr	Description	OEM Nr	Application
346 00 573	Pinion Shaft		SL7... SM7...
			

Truckexpert Nr	Description	OEM Nr	Application
346 00 575	Pinion Shaft		SL7... SM7...
			

Truckexpert Nr	Description	OEM Nr	Application
346 00 574	Pinion Shaft		SL7... SM7...
			

Truckexpert Nr	Description	OEM Nr	Application
346 00 971	Pinion Shaft		SL7... SM7...
			

Truckexpert Nr	Description	OEM Nr	Application
346 01 047	Caliper Calibration Bolt - (3 Thread)		SL7... SM7...



Truckexpert Nr	Description	OEM Nr	Application
346 01 102	Shaft Housing Set		SL7... SM7...



346 01 138	Caliper Shaft Housing	1
346 01 569	Shaft Housing Spring	1
346 01 047	Calibration Bolt - (3 Thread)	2

Truckexpert Nr	Description	OEM Nr	Application
346 00 055	Shaft Housing		SL7... SM7...




346 01 138	Caliper Shaft Housing	1
346 01 569	Shaft Housing Spring	1

Truckexpert Nr	Description	OEM Nr	Application
346 00 969	Brake Pad Retainer Repair Kit		SL7... SM7...




346 01 665	Pad Retainer	1
346 01 562	Split Cotter Pin	1
346 01 563	Washer	1
346 01 564	Pin	1

Truckexpert Nr	Description	OEM Nr	Application
346 00 585	Caliper Cover		SL7... SM7...



346 01 582	Sheet Metal Cap	1
346 01 581	Bolt	6
346 01 583	Bolt	2

Truckexpert Nr	Description	OEM Nr	Application
346 01 046	Needle Bearing Set		SL7... SM7...



346 01 587	Roller Bearing	2
------------	----------------	---

Truckexpert Nr	Description	OEM Nr	Application
346 01 100	Caliper Tappet & Boot Set		SL7... SM7...



346 01 590	Thrust Part With Bellow	1
346 01 591	Bush - Ø 15 x 17 / 8 mm	1

346 01 100/1 Caliper Tappet & Boot Set Without Chrome Plated Tappets

Truckexpert Nr	Description	OEM Nr	Application
346 01 042	Caliper Tappet & Boot Set	K046523K50	SL7... SM7...



346 01 590	Thrust Part With Bellow	2
346 00 933	Shaft Housing Boot	2
346 01 591	Bush - Ø 15 x 17 / 8 mm	2
346 01 541	Grease - 5 g	1

346 01 042/1 Caliper Tappet & Boot Set Without Chrome Plated Tappets

Truckexpert Nr	Description	OEM Nr	Application
346 01 101	Caliper Tappet Set		SL7... SM7...



346 01 590	Thrust Part With Bellow	2
346 01 591	Bush - Ø 15 x 17 / 8 mm	2
346 01 541	Grease - 5 g	1

346 01 101/1 Caliper Tappet Set Without Chrome Plated Tappets

Truckexpert Nr	Description	OEM Nr	Application
346 01 144	Caliper Tappet & Boot Set		SL7... SM7...



346 01 590	Thrust Part With Bellow	1
346 00 933	Shaft Housing Boot	1
346 01 591	Bush - Ø 15 x 17 / 8 mm	1
346 01 541	Grease - 5 g	1

346 01 144/1 Caliper Tappet & Boot Set Without Chrome Plated Tappets

Truckexpert Nr	Description	OEM Nr	Application
346 01 966	Caliper Lever		SL7... SM7...



Truckexpert Nr	Description	OEM Nr	Application
346 01 054	Caliper Repair Set		SL7... SM7...



346 01 590	Thrust Part With Bellow	2
346 00 933	Shaft Housing Boot	2
346 01 591	Bush - Ø 15 x 17 / 8 mm	2
346 01 138	Caliper Shaft Housing	1
346 01 569	Shaft Housing Spring	1
346 01 966	Lever	1
346 01 587	Roller Bearing	2
346 00 066	Calibration Shaft Chain	1
346 00 048	Adjusting Mechanism Shaft	1
346 00 971	Pinion Shaft	1
346 01 047	Calibration Bolt - (3 Thread)	2
346 01 541	Grease - 5 g	1

346 01 054/1 Caliper Repair Set Without Chrome Plated Tappets

Truckexpert Nr	Description	OEM Nr	Application
346 01 045	Caliper Pin Repair Kit		SL7... SM7...



346 00 132	Caliper Pin - Ø 36 / 114 mm	1
346 00 129	Caliper Pin - Ø 32 / 80 mm	1
346 00 139	Pin Bolt - M16 x 1.5 / 85 mm	1
346 00 138	Pin Bolt - M16 x 1.5 / 80 mm	1
346 00 154	Bush - Ø 36 x 40 / 82 mm	1
346 01 545	Rubber Bush	1
346 01 546	Plastic Ring	1
346 01 547	Stop Ring - Ø 39 mm	1
346 00 198	Pin Boot - (Red)	1
346 01 539	Ring - (White)	1
346 00 160	Pin Cap - Ø 40 / 14.5 mm	1
346 01 541	Grease - 5 g	1

346 01 045/1 Caliper Pin Repair Kit Without Chrome Plated Pins

Truckexpert Nr	Description	OEM Nr	Application
346 01 044	Caliper Pin Repair Kit		SL7... SM7...



346 00 132	Caliper Pin - Ø 36 / 114 mm	1
346 00 129	Caliper Pin - Ø 32 / 80 mm	1
346 00 139	Pin Bolt - M16 x 1.5 / 85 mm	1
346 00 809	Pin Bolt - M16 x 1.5 / 70 mm	1
346 00 154	Bush - Ø 36 x 40 / 82 mm	1
346 00 198	Pin Boot - (Red)	1
346 01 539	Ring - (White)	1
346 00 160	Pin Cap - Ø 40 / 14.5 mm	1
346 01 585	Adjusting Mechanism Cap - (35 mm)	1
346 01 560	Adjusting Mechanism Adapter	1
346 01 561	Pad Retainer	1
346 01 562	Split Cotter Pin	1
346 01 563	Washer	1
346 01 564	Pin	1
346 01 541	Grease - 5 g	1

346 01 044/1 Caliper Pin Repair Kit Without Chrome Plated Pins

Truckexpert Nr	Description	OEM Nr	Application
346 02 232	Caliper Repair Set		SL7... SM7...



SL7/SM7



346 00 048	Caliper Adjusting Mechanism Shaft	1	346 01 549	Caliper Pin Rubber Bush - (Short)	1
346 01 582	Sheet Metal Cap (BPW type)	1	346 01 546	Plastic Ring	1
346 01 581	Bolt M8 x 1.25 x 16	6	346 01 547	Stop Ring Ø 39 mm	1
346 01 583	Bolt	2	346 00 160	Pin Cap Ø 40 / 14.5 mm	1
346 01 138	Shaft Housing	1	346 01 541	Grease - 5 g	1
346 01 569	Shaft Housing Spring	1	346 01 047	Calibration Bolt (3 Thread)	2
346 00 139	Pin Bolt M16 x 1.5 / 85 mm	1	346 00 933	Shaft Housing Boot	2
346 00 154	Bush Ø 36 x 40 / 82 mm	1	346 01 590	Thrust Part With Bellow (69 mm)	2
346 00 198	Pin Boot (Red)	1	346 01 591	Bush Ø 15 x 17.8 mm	2
346 01 539	Ring (White)	1	346 01 587	Caliper Needle Bearing	2
346 00 129	Caliper Pin Ø 32 / 80 mm	1	346 00 066	Caliper Calibration Shaft Chain (29 Links)	1
346 00 138	Pin Bolt M16 x 1.5 / 80 mm	1	346 00 971	Pinion Shaft	1
346 00 132	Caliper Pin Ø 36 / 114 mm	1			

346 02 232/1 Caliper Repair Set Without Chrome Plated Pins and Tappets

Truckexpert Nr	Description	OEM Nr	Application
346 02 233	Caliper Repair Set	MB ACTROS (New Model) SM7... - Front MB AXOR (New Model) SM7... - Front	SL7... SM7...



346 00 048	Caliper Adjusting Mechanism Shaft	1	346 01 549	Caliper Pin Rubber Bush - (Short)	1
346 01 580	Sheet Metal Cap	1	346 01 546	Plastic Ring	1
346 01 581	Bolt M8 x 1.25 x 16	6	346 01 547	Stop Ring Ø 39 mm	1
346 01 583	Bolt	2	346 00 160	Pin Cap Ø 40 / 14.5 mm	1
346 01 138	Shaft Housing	1	346 01 541	Grease - 5 g	1
346 01 569	Shaft Housing Spring	1	346 01 047	Calibration Bolt (3 Thread)	2
346 00 139	Pin Bolt M16 x 1.5 / 85 mm	1	346 00 933	Shaft Housing Boot	2
346 00 154	Bush Ø 36 x 40 / 82 mm	1	346 01 590	Thrust Part With Bellow (69 mm)	2
346 00 198	Pin Boot (Red)	1	346 01 591	Bush Ø 15 x 17.8 mm	2
346 01 539	Ring (White)	1	346 01 587	Caliper Needle Bearing	2
346 00 129	Caliper Pin Ø 32 / 80 mm	1	346 00 066	Caliper Calibration Shaft Chain (29 Links)	1
346 00 138	Pin Bolt M16 x 1.5 / 80 mm	1	346 00 971	Pinion Shaft	1
346 00 132	Caliper Pin Ø 36 / 114 mm	1			

346 02 233/1 Caliper Repair Set Without Chrome Plated Pins and Tappets

Truckexpert Nr	Description	OEM Nr	Application
346 01 033	Sensor Cable With Connector Socket (2,0 m)		SL7... SM7...



Truckexpert Nr	Description	OEM Nr	Application
346 01 034	Sensor Cable With Connector Socket (3,5 m)		SL7... SM7...



Truckexpert Nr	Description	OEM Nr	Application
346 01 035	Sensor Cable With Connector Socket (5,0 m)		SL7... SM7...



Truckexpert Nr	Description	OEM Nr	Application
346 01 036	Sensor Cable With Connector Socket (8,0 m)		SL7... SM7...



Truckexpert Nr	Description	OEM Nr	Application
346 01 037	Sensor Cable With Connector Socket (10,0 m)		SL7... SM7...



Truckexpert Nr	Description	OEM Nr	Application
346 01 038	Sensor Cable With Connector Socket (12,0 m)		SL7... SM7...



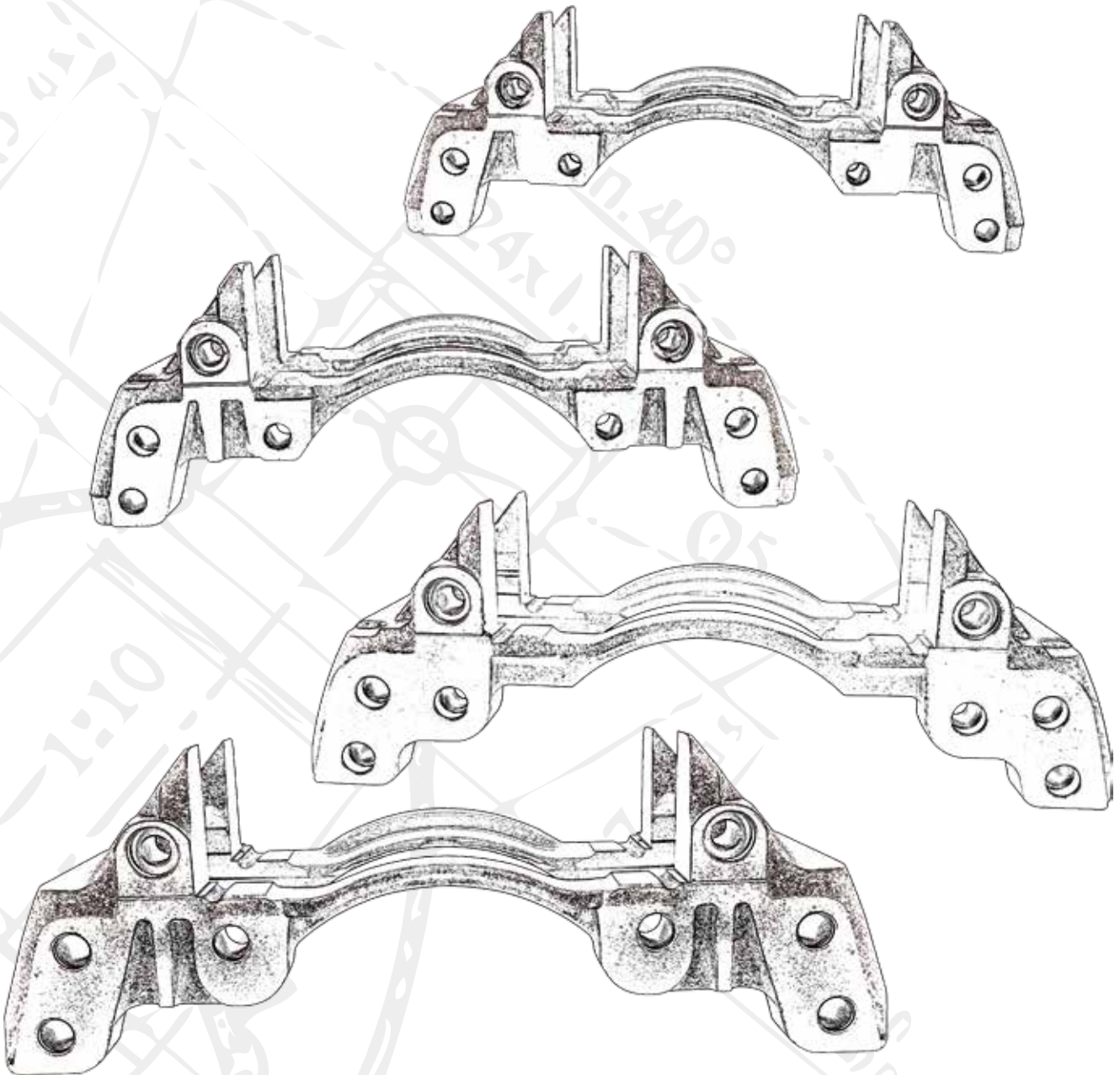
Truckexpert Nr	Description	OEM Nr	Application
346 02 234	Caliper Tappet & Boot Set (69 mm)	K046523K50KNORR MB 000 423 0316	SL7... SM7...



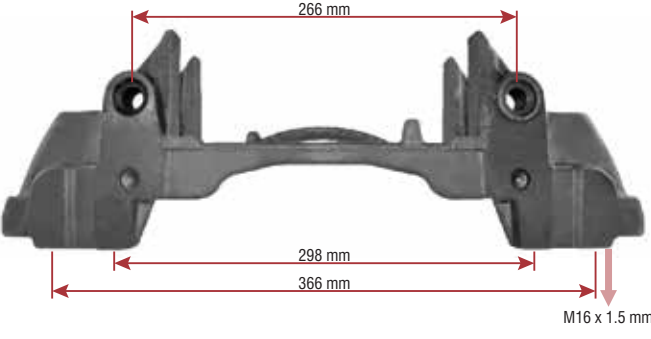
346 01 590	Thrust Part With Bellow (69 mm)	2
346 01 591	Bush Ø 15 x 17 8 mm	2
346 02 235	Shaft Housing Boot	2
346 01 541	Grease - 5 g	1

346 02 234/1 Caliper Pin Repair Kit Without Chrome Plated Tappets

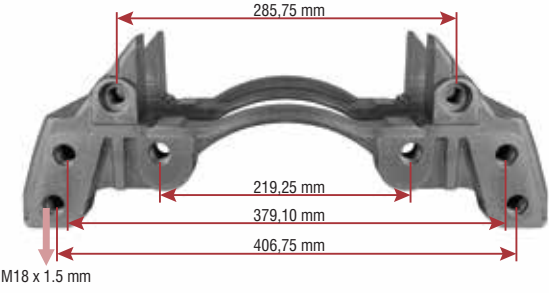
CARRIERS



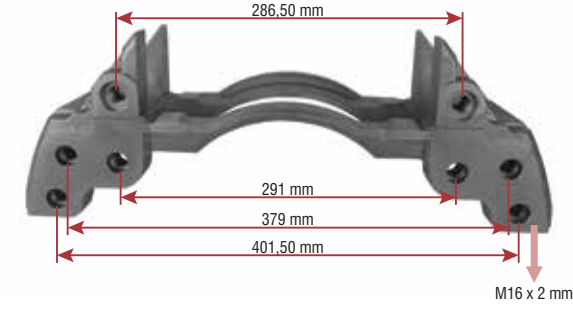
Truckexpert Nr	Description	OEM Nr	Application
346 01 358	Caliper Carrier 22,5"	K012619 BPW 01.303.88.56.0	SK7...



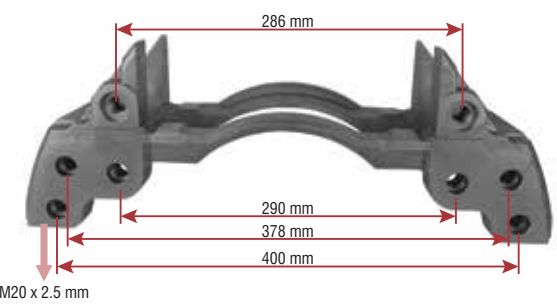
Truckexpert Nr	Description	OEM Nr	Application
346 01 359	Caliper Carrier 22,5"	K001278 MAN TGA	SB7... SN7...



Truckexpert Nr	Description	OEM Nr	Application
346 01 360	Caliper Carrier 22,5"		SB7... SN7...



Truckexpert Nr	Description	OEM Nr	Application
346 01 361	Caliper Carrier 22,5"	DAF / SCANIA	SB7... SN7...

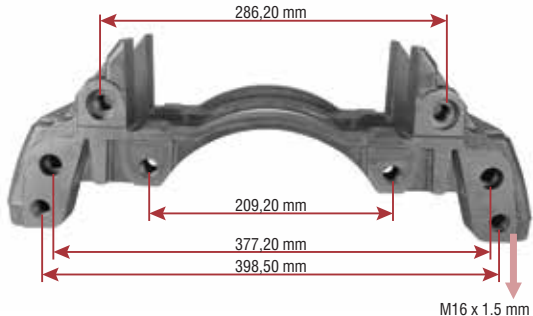


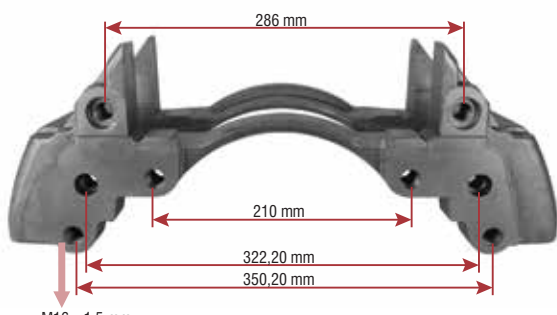
Truckexpert Nr	Description	OEM Nr	Application
346 01 369	Caliper Carrier 22,5"	K010765 SCANIA 4 1756388	SB7... SN7...

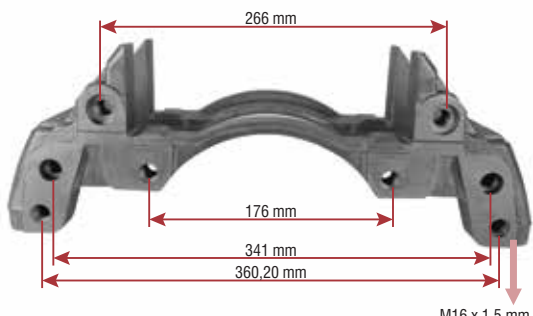
Truckexpert Nr	Description	OEM Nr	Application
346 01 362	Caliper Carrier 22,5"	K001528 K011479 DAF 1689314	SB7... SN7...

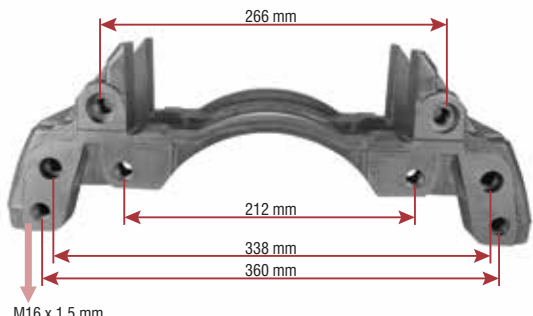
Truckexpert Nr	Description	OEM Nr	Application
346 01 363	Caliper Carrier 22,5" - Left	K001529 MB CONNECTO 000 421 3706	SB7... SN7...

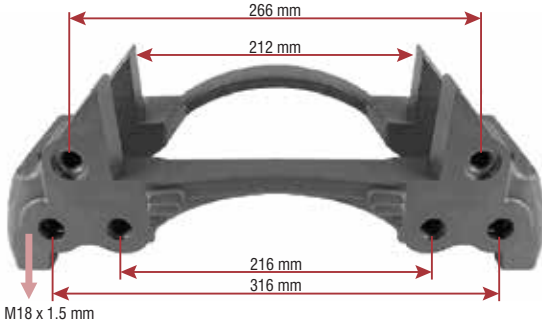
Truckexpert Nr	Description	OEM Nr	Application
346 01 364	Caliper Carrier 22,5" - Right	K001530 MB CONNECTO 000 421 3806	SB7... SN7...

Truckexpert Nr	Description	OEM Nr	Application
346 02 037	Caliper Carrier 22,5"	K000026 MB AXOR 000 421 1106	SB7... SN7...
			

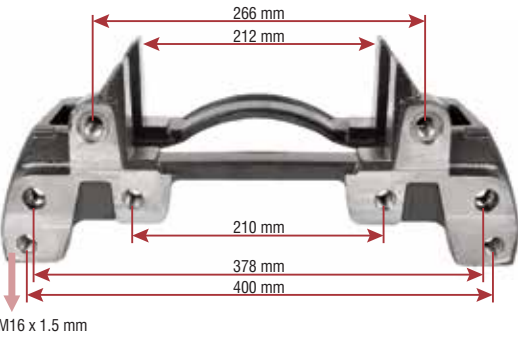
Truckexpert Nr	Description	OEM Nr	Application
346 01 366	Caliper Carrier 22,5"	K000027 MB ACTROS 000 423 0606	SB7... SN7...
			

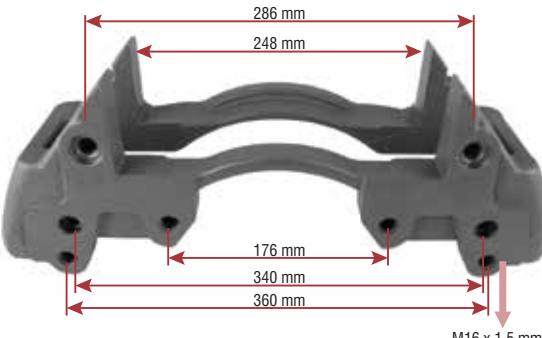
Truckexpert Nr	Description	OEM Nr	Application
346 01 367	Caliper Carrier 19,5"	K001926 MB ATEGO 000 421 3106	SN6...
			

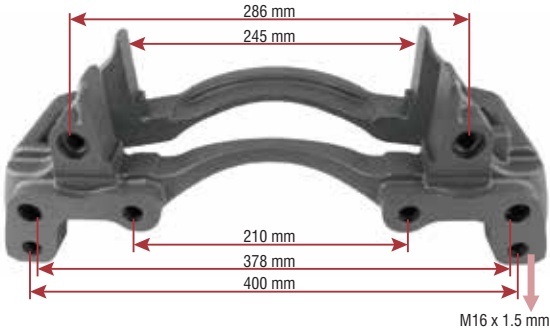
Truckexpert Nr	Description	OEM Nr	Application
346 01 368	Caliper Carrier 19,5"	BMC	SN6...
			

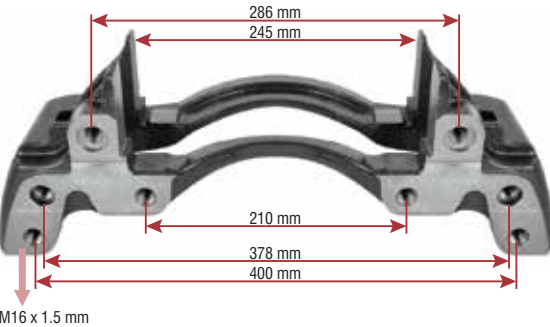
Truckexpert Nr	Description	OEM Nr	Application
346 02 210	Caliper Carrier 19,5"	Z019053	SN6... SAF Trailer Axle
			

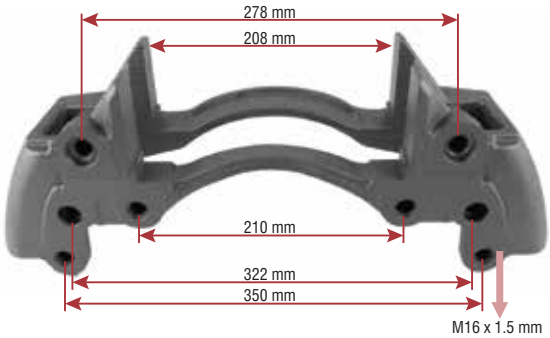
Truckexpert Nr	Description	OEM Nr	Application
346 02 211	Caliper Carrier 22,5"	K015308 Z019050	SK7... SAF Trailer Axle
			

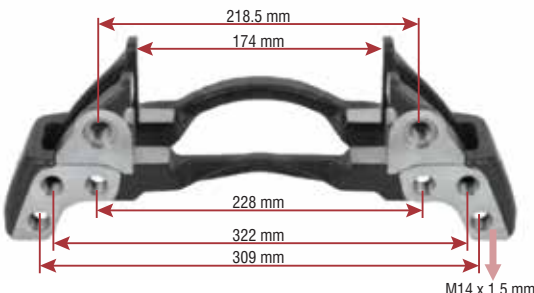
Truckexpert Nr	Description	OEM Nr	Application
346 02 212	Caliper Carrier 22,5"	K004099 SCANIA 2121600	SK7... SAF Trailer Axle
			

Truckexpert Nr	Description	OEM Nr	Application
346 02 213	Caliper Carrier 22,5"		SN7... MB Trailer Axle
			

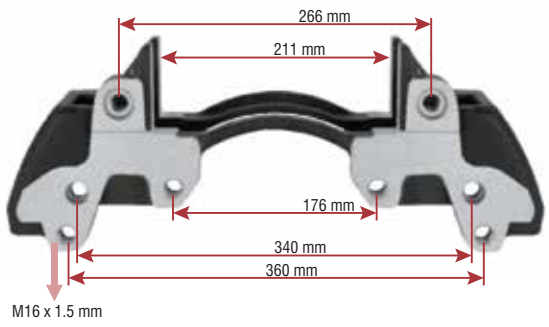
Truckexpert Nr	Description	OEM Nr	Application
346 02 214	Caliper Carrier 22,5"	Z046338	SN7... MERCEDES 4140 Front
			

Truckexpert Nr	Description	OEM Nr	Application
346 02 215	Caliper Carrier 22,5"	K046498K50 MB 000 421 5706	SM7... MERCEDES 4140 Front
			

Truckexpert Nr	Description	OEM Nr	Application
346 02 216	Caliper Carrier 22,5"	K052379K50 Z025197 MB 000 423 1006	SL7... MERCEDES 4140 Rear
			

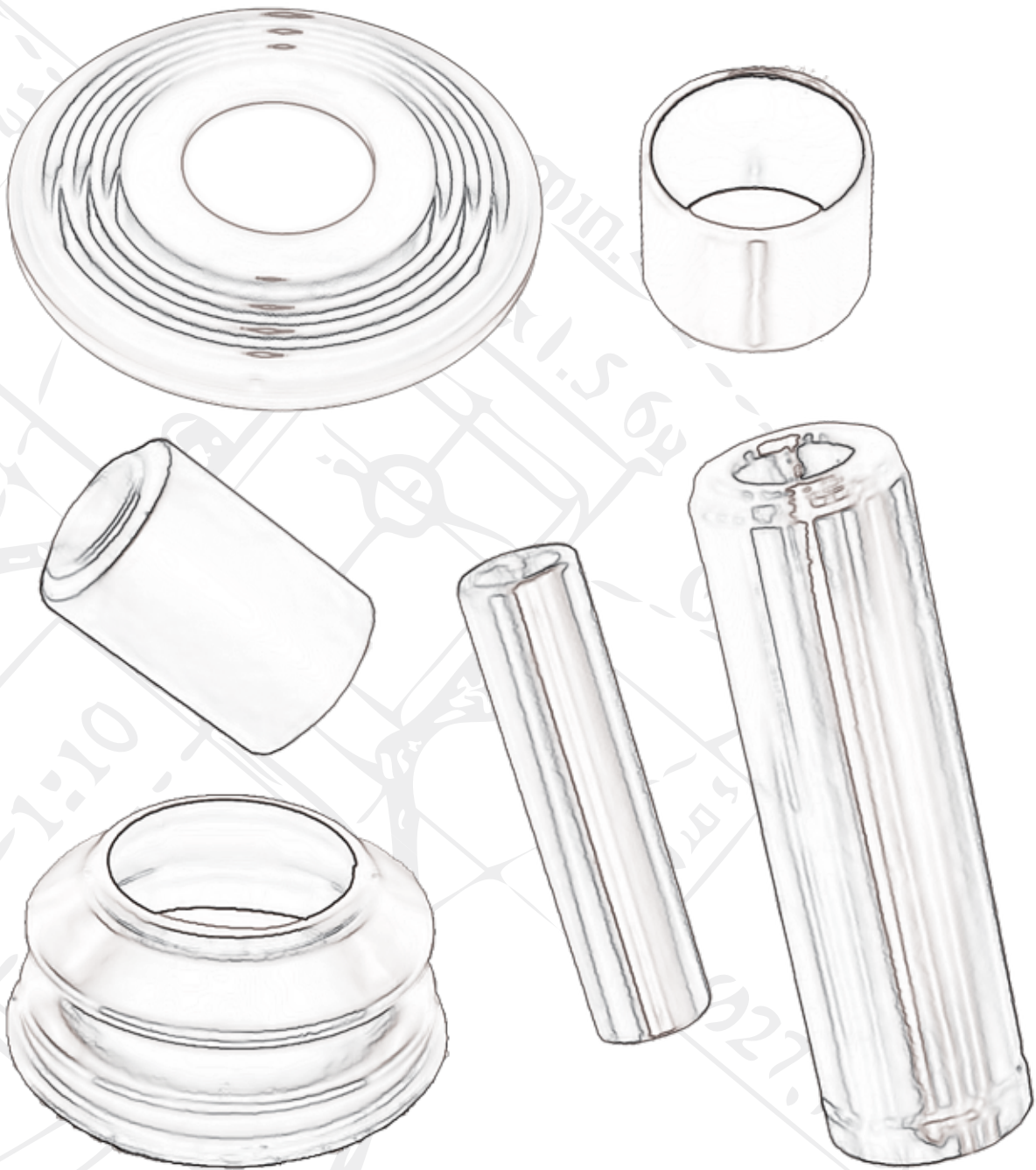
Truckexpert Nr	Description	OEM Nr	Application
346 02 217	Caliper Carrier 17,5"	K001927 MB 000 421 3006 SCANIA 2121599	SN5... MERCEDES AXOR MAN TGL 12.180
			

Truckexpert Nr	Description	OEM Nr	Application
346 02 218	Caliper Carrier 19,5"	Z017557	SN6... MERCEDES AXOR



BENDIX ADB 3700 / 4300

KNORR
BENDIX



Truckexpert Nr	Description	OEM Nr	Application
346 00 537	Caliper Pin Repair Kit		381.391 93161189



346 01 352	Caliper Pin - Q 45 / 150 mm	1
346 01 353	Caliper Pin - Q 24 / 92 mm	1
346 01 354	Pin Bolt - M22 x 1,5 / 175 mm	1
346 01 355	Pin Bolt - M16 x 1,5 / 124 mm	1
346 01 356	Bush - Ø 50 x 45 / 40 mm	2
346 01 357	Rubber Bush - Ø 38 x 24 / 55 mm	1
346 01 541	Grease - 5 g	1

346 00 537/1 Caliper Pin Repair Kit Without Chrome Plated Pins

Truckexpert Nr	Description	OEM Nr	Application
346 00 509	Caliper Boot & Ring Set		381.413 93161192



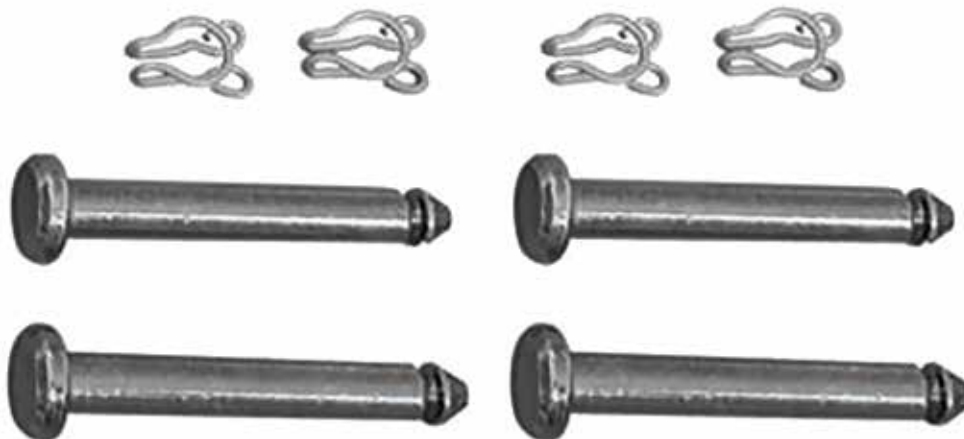
346 00 220	Tappet Boot	1
346 00 910	Pin Boot - (Big)	2
346 00 909	Pin Boot - (Small)	2
346 01 608	Pin Boot Ring - (Big)	2
346 01 609	Pin Boot Ring - (Small)	2
346 01 610	Washer	1
346 01 611	Plastic Washer	1

Truckexpert Nr	Description	OEM Nr	Application
346 00 538	Brake Adjuster Repair Kit	381.419	410 SIMPLEX



346 02 240	Caliper Pad Spring	1
346 02 241	Caliper Clamping Element	1
346 02 242	Buckle	1
346 02 243	Caliper Pad Bar	1
346 02 244	Adjusting Tool	1
346 02 245	Bolt	2
346 02 246	Clip	2

Truckexpert Nr	Description	OEM Nr	Application
346 02 247	Brake Pad Retainer Bolt Kit	1133692	



346 02 244	Bolt	4
346 02 245	Clip	4



KNORR

BENDIX



MERITOR

MERITOR

www.Lkwexpert.com

Truckexpert Nr	Description	OEM Nr	Application
----------------	-------------	--------	-------------

346 00 480

Caliper Boot & Bolt Set

MCK1244

Elsa 2



346 00 354	Pin Boot	2
346 00 357	Tappet Boot	2
346 00 468	Rubber Cap	1
346 00 700	Caliper Dust Cover	1
346 00 816	Bolt - M16 X 1.5 / 40 mm	4
346 00 894	Pin Cap - Ø 45 / 28 mm	2

Truckexpert Nr	Description	OEM Nr	Application
----------------	-------------	--------	-------------

346 00 481

Caliper Repair Kit

MCK1088

Elsa 2



346 00 354	Pin Boot	2
346 00 357	Tappet Boot	2
346 00 468	Rubber Cap	1
346 00 700	Caliper Dust Cover	1

Truckexpert Nr	Description	OEM Nr	Application
----------------	-------------	--------	-------------

346 00 699

Caliper Actuator Seal Set

OEM Nr

Application

Elsa 2



346 00 700	Caliper Dust Cover	10
------------	--------------------	----

Truckexpert Nr	Description	OEM Nr	Application
346 01 259	Caliper Pin Boot & Bolt Set	MCK1087	Elsa 2



346 00 816	Bolt - M16 X 1.5 / 40 mm	4
346 01 667	Bolt - M10 X 1.25 / 20 mm	1
346 00 899	Pin Cap - Ø 45 / 28 mm	2
346 00 354	Pin Boot	2

Truckexpert Nr	Description	OEM Nr	Application
346 01 669	Caliper Actuator Seal		Elsa 2




Truckexpert Nr	Description	OEM Nr	Application
346 01 257	Caliper Tappet Boot Set	68324854PK10	Elsa 2



346 00 357	Tappet Boot	10
-------------------	-------------	----

Truckexpert Nr	Description	OEM Nr	Application
346 00 755	Caliper Tappet Dust Cover		Elsa 2 Elsa 195 Elsa 225




346 00 354	Pin Boot	2
346 00 357	Tappet Boot	2

Truckexpert Nr	Description	OEM Nr	Application
346 00 301	Caliper Tappet Boot Set	MCK1139	Elsa 2



346 00 357	Tappet Boot	2
------------	-------------	---

Truckexpert Nr	Description	OEM Nr	Application
346 01 258	Caliper Pin Boot Set		Elsa 2



346 00 354	Pin Boot	2
------------	----------	---

Truckexpert Nr	Description	OEM Nr	Application
346 01 953	Rubber Cap Set	68322655PK10	Elsa 2



346 00 468	Rubber Cap	10
------------	------------	----

Truckexpert Nr	Description	OEM Nr	Application
346 01 256	Caliper Pin Bush Set		Elsa 2



346 00 364	Round Bush - Ø 35 X 39 / 30 mm	10
------------	--------------------------------	----

Truckexpert Nr	Description	OEM Nr	Application
346 00 687	Caliper Tappet & Boot Set	MCK1309	Elsa 2



346 01 679	Tappet	2
346 01 680	Ring - Ø 32 x 34 / 6.5 mm	2
346 00 357	Tappet Boot	2

Truckexpert Nr	Description	OEM Nr	Application
346 01 169	Caliper Tappet Set		Elsa 2



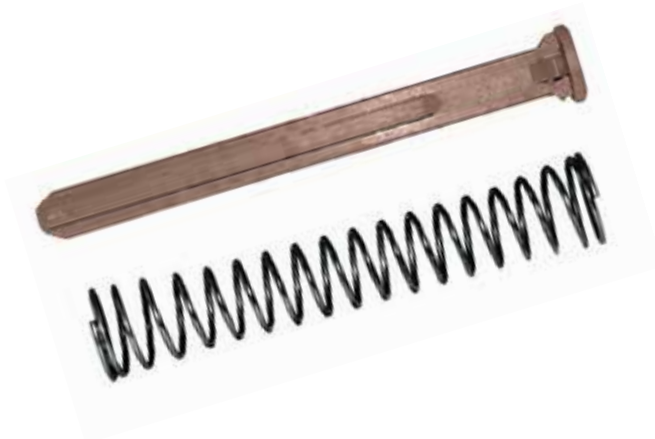
346 01 679	Tappet	2
346 01 680	Ring - Ø 32 X 34 / 6.5 mm	2

Truckexpert Nr	Description	OEM Nr	Application
346 00 487	Caliper Visual Indicator & Screw Set	MCK1240	Elsa 2



346 01 309	Caliper Visual Indicator	1
346 00 816	Bolt - M16 X 1.5 / 40 mm	4

Truckexpert Nr	Description	OEM Nr	Application
346 01 309	Caliper Visual Indicator		Elsa 2



Truckexpert Nr	Description	OEM Nr	Application
346 00 675	Caliper Pad Retainer Kit	MCK1174	Elsa 2



346 02 125	Caliper Pad	1
346 02 033	Screw M16X1,25X20	1

Truckexpert Nr	Description	OEM Nr	Application
346 00 399	Caliper Guides & Bushes Repair Kit		Elsa 2



346 00 332	Caliper Pin - Ø 31 / 84 mm	1
346 00 341	Caliper Pin - Ø 35 / 144 mm	1
346 00 344	Pin Bolt - M18 X 1.5 / 90 mm	1
346 00 347	Pin Bolt - M18 X 1.5 / 150 mm	1
346 00 354	Pin Boot	2
346 00 364	Round Bush - Ø 35 X 39 / 30 mm	2
346 00 886	Oval Bush - Ø 31-33 X 42 / 30 mm	1
346 00 894	Pin Cap - Ø 45 / 28 mm	2
346 01 541	Grease - 5 g	1
346 01 666	Ring - Ø 37 X 42 / 14 mm	2

346 00 399/1 Caliper Guides & Bushes Repair Kit Without Chrome Plated Pins

Truckexpert Nr	Description	OEM Nr	Application
346 00 311	Caliper Pin Repair Kit	MCK1140 MCK1243	Elsa 2



346 00 332	Caliper Pin - Ø 31 / 84 mm	1
346 00 341	Caliper Pin - Ø 35 / 144 mm	1
346 00 344	Pin Bolt - M18 X 1.5 / 90 mm	1
346 00 347	Pin Bolt - M18 X 1.5 / 150 mm	1
346 00 354	Pin Boot	2
346 00 364	Round Bush - Ø 35 X 39 / 30 mm	2
346 00 816	Bolt - M16 X 1.5 / 40 mm	4
346 00 886	Oval Bush - Ø 31-33 X 42 / 30 mm	1
346 00 894	Pin Cap - Ø 45 / 28 mm	2
346 01 541	Grease - 5 g	1
346 01 666	Ring - Ø 37 X 42 / 14 mm	2
346 01 667	Bolt - M10 X 1.25 / 20 mm	1

346 00 311/1 Caliper Pin Repair Kit Without Chrome Plated Pins

Truckexpert Nr	Description	OEM Nr	Application
346 01 670	Caliper Pin Rubber Bush - Ø 31-32 x 42 / 45 mm		Elsa 2



Truckexpert Nr	Description	OEM Nr	Application
346 01 159	Caliper Pin Repair Kit	MCK1289	Elsa 2



346 00 341	Caliper Pin - Ø 35 / 144 mm	1
346 00 332	Caliper Pin - Ø 31 / 84 mm	1
346 00 347	Pin Bolt - M18 x 1.5 / 150 mm	1
346 00 344	Pin Bolt - M18 x 1.5 / 90 mm	1
346 01 670	Caliper Pin Rubber Bush - Ø 31-32 x 42 / 45 mm	1
346 00 364	Round Bush - Ø 35 x 39 / 30 mm	2
346 01 666	Ring - Ø 37 x 42 / 14 mm	1
346 00 894	Pin Cap - Ø 45 / 28 mm	2
346 00 354	Pin Boot	2
346 01 541	Grease - 5 g	1

346 01 159/1 Caliper Pin Repair Kit Without Chrome Plated Pins

Truckexpert Nr	Description	OEM Nr	Application
346 00 309	Caliper Boot & Pin Repair Kit		Elsa 2



346 00 332	Caliper Pin - Ø 31 / 84 mm	1
346 00 341	Caliper Pin - Ø 35 / 144 mm	1
346 00 344	Pin Bolt - M18 X 1.5 / 90 mm	1
346 00 347	Pin Bolt - M18 X 1.5 / 150 mm	1
346 00 354	Pin Boot	2
346 00 357	Tappet Boot	2
346 00 364	Round Bush - Ø 35 X 39 / 30 mm	2
346 00 894	Pin Cap - Ø 45 / 28 mm	2
346 01 541	Grease - 5 g	1
346 01 666	Ring - Ø 37 X 42 / 14 mm	1
346 01 670	Caliper Pin Bush	1

346 00 309/1 Caliper Boot & Pin Repair Kit Without Chrome Plated Pins

Truckexpert Nr	Description	OEM Nr	Application																											
346 01 160	Caliper Boot & Pin Repair Kit		Elsa 2																											
																														
<table border="1"> <tbody> <tr> <td>346 00 341</td> <td>Caliper Pin - Ø 35 / 144 mm</td> <td>1</td> </tr> <tr> <td>346 00 332</td> <td>Caliper Pin - Ø 31 / 84 mm</td> <td>1</td> </tr> <tr> <td>346 01 670</td> <td>Caliper Pin Rubber Bush - Ø 31-32 x 42 / 45 mm</td> <td>1</td> </tr> <tr> <td>346 00 364</td> <td>Round Bush - Ø 35 x 39 / 30 mm</td> <td>2</td> </tr> <tr> <td>346 01 666</td> <td>Ring - Ø 37 x 42 / 14 mm</td> <td>1</td> </tr> <tr> <td>346 00 894</td> <td>Pin Cap - Ø 45 / 28 mm</td> <td>2</td> </tr> <tr> <td>346 00 357</td> <td>Tappet Boot</td> <td>2</td> </tr> <tr> <td>346 00 354</td> <td>Pin Boot</td> <td>2</td> </tr> <tr> <td>346 01 541</td> <td>Grease - 5 g</td> <td>1</td> </tr> </tbody> </table>				346 00 341	Caliper Pin - Ø 35 / 144 mm	1	346 00 332	Caliper Pin - Ø 31 / 84 mm	1	346 01 670	Caliper Pin Rubber Bush - Ø 31-32 x 42 / 45 mm	1	346 00 364	Round Bush - Ø 35 x 39 / 30 mm	2	346 01 666	Ring - Ø 37 x 42 / 14 mm	1	346 00 894	Pin Cap - Ø 45 / 28 mm	2	346 00 357	Tappet Boot	2	346 00 354	Pin Boot	2	346 01 541	Grease - 5 g	1
346 00 341	Caliper Pin - Ø 35 / 144 mm	1																												
346 00 332	Caliper Pin - Ø 31 / 84 mm	1																												
346 01 670	Caliper Pin Rubber Bush - Ø 31-32 x 42 / 45 mm	1																												
346 00 364	Round Bush - Ø 35 x 39 / 30 mm	2																												
346 01 666	Ring - Ø 37 x 42 / 14 mm	1																												
346 00 894	Pin Cap - Ø 45 / 28 mm	2																												
346 00 357	Tappet Boot	2																												
346 00 354	Pin Boot	2																												
346 01 541	Grease - 5 g	1																												
346 01 160/1 Caliper Boot & Pin Repair Kit Without Chrome Plated Pins																														

Truckexpert Nr	Description	OEM Nr	Application																																	
346 00 326	Caliper Pin Repair Kit	MCK1086	Elsa 2																																	
																																				
<table border="1"> <tbody> <tr> <td>346 00 348</td> <td>Pin Bolt - M20 X 1.5 / 150 mm</td> <td>1</td> </tr> <tr> <td>346 00 354</td> <td>Pin Boot</td> <td>2</td> </tr> <tr> <td>346 00 364</td> <td>Round Bush - Ø 35 X 39 / 30 mm</td> <td>3</td> </tr> <tr> <td>346 00 802</td> <td>Pin Bolt - M20 X 1.5 / 90 mm</td> <td>1</td> </tr> <tr> <td>346 00 816</td> <td>Bolt - M16 X 1.5 / 40 mm</td> <td>4</td> </tr> <tr> <td>346 00 853</td> <td>Caliper Pin - Ø 35 / 126 mm</td> <td>1</td> </tr> <tr> <td>346 00 854</td> <td>Caliper Oval Pin - Ø 33-35 / 66 mm</td> <td>1</td> </tr> <tr> <td>346 00 894</td> <td>Pin Cap - Ø 45 / 28 mm</td> <td>2</td> </tr> <tr> <td>346 01 541</td> <td>Grease - 5 g</td> <td>1</td> </tr> <tr> <td>346 01 667</td> <td>Bolt - M10 X 1.25 / 20 mm</td> <td>1</td> </tr> <tr> <td>346 01 671</td> <td>Ring - Ø 35 X 43 / 2.5 mm</td> <td>2</td> </tr> </tbody> </table>				346 00 348	Pin Bolt - M20 X 1.5 / 150 mm	1	346 00 354	Pin Boot	2	346 00 364	Round Bush - Ø 35 X 39 / 30 mm	3	346 00 802	Pin Bolt - M20 X 1.5 / 90 mm	1	346 00 816	Bolt - M16 X 1.5 / 40 mm	4	346 00 853	Caliper Pin - Ø 35 / 126 mm	1	346 00 854	Caliper Oval Pin - Ø 33-35 / 66 mm	1	346 00 894	Pin Cap - Ø 45 / 28 mm	2	346 01 541	Grease - 5 g	1	346 01 667	Bolt - M10 X 1.25 / 20 mm	1	346 01 671	Ring - Ø 35 X 43 / 2.5 mm	2
346 00 348	Pin Bolt - M20 X 1.5 / 150 mm	1																																		
346 00 354	Pin Boot	2																																		
346 00 364	Round Bush - Ø 35 X 39 / 30 mm	3																																		
346 00 802	Pin Bolt - M20 X 1.5 / 90 mm	1																																		
346 00 816	Bolt - M16 X 1.5 / 40 mm	4																																		
346 00 853	Caliper Pin - Ø 35 / 126 mm	1																																		
346 00 854	Caliper Oval Pin - Ø 33-35 / 66 mm	1																																		
346 00 894	Pin Cap - Ø 45 / 28 mm	2																																		
346 01 541	Grease - 5 g	1																																		
346 01 667	Bolt - M10 X 1.25 / 20 mm	1																																		
346 01 671	Ring - Ø 35 X 43 / 2.5 mm	2																																		
346 00 326/1 Caliper Pin Repair Kit Without Chrome Plated Pins																																				

Truckexpert Nr	Description	OEM Nr	Application																																				
346 01 162	Caliper Boot & Pin Repair Kit		Elsa 2																																				
																																							
<table border="1"> <tbody> <tr> <td>346 00 853</td> <td>Caliper Pin - Ø 35 / 126 mm</td> <td>1</td> </tr> <tr> <td>346 00 854</td> <td>Caliper Oval Pin - Ø 33-35 / 66 mm</td> <td>1</td> </tr> <tr> <td>346 00 348</td> <td>Pin Bolt - M20 x 1.5 / 150 mm</td> <td>1</td> </tr> <tr> <td>346 00 802</td> <td>Pin Bolt - M20 x 1.5 / 90 mm</td> <td>1</td> </tr> <tr> <td>346 00 364</td> <td>Round Bush - Ø 35 x 39 / 30 mm</td> <td>3</td> </tr> <tr> <td>346 01 671</td> <td>Ring - Ø 35 x 43 / 2.5 mm</td> <td>2</td> </tr> <tr> <td>346 00 894</td> <td>Pin Cap - Ø 45 / 28 mm</td> <td>2</td> </tr> <tr> <td>346 01 667</td> <td>Bolt - M10 x 1.25 / 20 mm</td> <td>1</td> </tr> <tr> <td>346 00 816</td> <td>Bolt - M16 x 1.5 / 40 mm</td> <td>4</td> </tr> <tr> <td>346 00 354</td> <td>Pin Boot</td> <td>2</td> </tr> <tr> <td>346 00 357</td> <td>Tappet Boot</td> <td>2</td> </tr> <tr> <td>346 01 541</td> <td>Grease - 5 g</td> <td>1</td> </tr> </tbody> </table>				346 00 853	Caliper Pin - Ø 35 / 126 mm	1	346 00 854	Caliper Oval Pin - Ø 33-35 / 66 mm	1	346 00 348	Pin Bolt - M20 x 1.5 / 150 mm	1	346 00 802	Pin Bolt - M20 x 1.5 / 90 mm	1	346 00 364	Round Bush - Ø 35 x 39 / 30 mm	3	346 01 671	Ring - Ø 35 x 43 / 2.5 mm	2	346 00 894	Pin Cap - Ø 45 / 28 mm	2	346 01 667	Bolt - M10 x 1.25 / 20 mm	1	346 00 816	Bolt - M16 x 1.5 / 40 mm	4	346 00 354	Pin Boot	2	346 00 357	Tappet Boot	2	346 01 541	Grease - 5 g	1
346 00 853	Caliper Pin - Ø 35 / 126 mm	1																																					
346 00 854	Caliper Oval Pin - Ø 33-35 / 66 mm	1																																					
346 00 348	Pin Bolt - M20 x 1.5 / 150 mm	1																																					
346 00 802	Pin Bolt - M20 x 1.5 / 90 mm	1																																					
346 00 364	Round Bush - Ø 35 x 39 / 30 mm	3																																					
346 01 671	Ring - Ø 35 x 43 / 2.5 mm	2																																					
346 00 894	Pin Cap - Ø 45 / 28 mm	2																																					
346 01 667	Bolt - M10 x 1.25 / 20 mm	1																																					
346 00 816	Bolt - M16 x 1.5 / 40 mm	4																																					
346 00 354	Pin Boot	2																																					
346 00 357	Tappet Boot	2																																					
346 01 541	Grease - 5 g	1																																					
346 01 162/1 Caliper Boot & Pin Repair Kit Without Chrome Plated Pins																																							

Truckexpert Nr	Description	OEM Nr	Application
----------------	-------------	--------	-------------

346 00 254 Caliper Adjusting Mechanism

Elsa 2



Truckexpert Nr	Description	OEM Nr	Application
----------------	-------------	--------	-------------

346 00 686 Caliper Adjusting Mechanism Clutch System Repair Kit

Elsa 2



346 01 923	Caliper Brake Lining Calibration Gear	2
346 01 924	Caliper Cam Shaft	2
346 01 925	Caliper Repair Kit	1

Truckexpert Nr	Description	OEM Nr	Application
----------------	-------------	--------	-------------

346 01 301 Caliper Mechanism Ring & Boot Repair Kit

Elsa 2



346 00 357	Tappet Boot	2
346 00 354	Pin Boot	2
346 00 701	Gasket	1
346 01 675	Plastic Ring	1
346 01 676	Plastic Ring	2
346 01 541	Grease - 5 g	1

Truckexpert Nr	Description	OEM Nr	Application
346 01 959	Caliper Adjusting Mechanism Repair Kit		Elsa 2



Truckexpert Nr	Description	OEM Nr	Application
346 00 701	Gasket		Elsa 2



Truckexpert Nr	Description	OEM Nr	Application
346 00 702	Gasket		Elsa 2



Truckexpert Nr	Description	OEM Nr	Application
346 01 302	Caliper Adjusting Mechanism Cap		Elsa 2



346 01 166	Aluminium Cap	1
346 00 701	Gasket	1
346 01 677	Bolt - M10 x 1.25 / 45 mm	8

Truckexpert Nr	Description	OEM Nr	Application
346 01 678	Bush for Mechanism Cap		Elsa 2



Truckexpert Nr	Description	OEM Nr	Application
346 01 260	Caliper Adjusting Mechanism Cap (With Bush)		Elsa 2



346 01 167	Aluminium Cap	1
346 00 701	Gasket	1
346 01 677	Bolt - M10 x 1.25 / 45 mm	8



Truckexpert Nr	Description	OEM Nr	Application
346 00 293	Caliper Calibration Mechanism Cap (Aluminium) & Gasket		Elsa 2



346 00 701	Gasket	1
346 01 166	Aluminium Cap	1

Truckexpert Nr	Description	OEM Nr	Application
346 00 688	Caliper Adjusting Gear Set - 47 mm		Elsa 2



346 01 922	Caliper Brake Lining Calibration Gear	1
346 01 948	Caliper Brake Lining Calibration Gear	1

Truckexpert Nr	Description	OEM Nr	Application
346 02 196	Caliper Adjusting Gear Set - 47 mm		Elsa 2



346 01 922	Caliper Brake Lining Calibration Gear	2
346 01 948	Caliper Brake Lining Calibration Gear	2

Truckexpert Nr	Description	OEM Nr	Application
346 00 694	Caliper Gear Bush & Seal Set		Elsa 2



346 01 672	Tappet Boot Ring	2
346 01 674	Seal	2
346 01 904	Gear Bush	2

Truckexpert Nr	Description	OEM Nr	Application
346 01 170	Caliper Adjusting Mechanism Cap		Elsa 2



346 01 303	Caliper Adjusting Mechanism Cap	1
346 00 702	Gasket	1
346 01 677	Bolt - M10 x 1.25 / 45 mm	8

Truckexpert Nr	Description	OEM Nr	Application
----------------	-------------	--------	-------------

346 01 164

Caliper Adjusting Gear Set

Elsa 2



346 01 922	Caliper Brake Lining Calibration Gear	2
346 01 923	Caliper Brake Lining Calibration Gear	2

Truckexpert Nr	Description	OEM Nr	Application
----------------	-------------	--------	-------------

346 00 756

Caliper Calibration Mechanism Kit

Elsa 2



346 01 166	Mechanism Cap	1
346 01 923	Caliper Brake Lining Calibration Gear	2
346 01 922	Caliper Brake Lining Calibration Gear	2
346 00 254	Caliper Adjusting Mechanism	1
346 00 701	Gasket	1
346 00 357	Tappet Boot	2

Truckexpert Nr	Description	OEM Nr	Application
----------------	-------------	--------	-------------

346 01 304

Caliper Adjusting Mechanism Set

Elsa 2



346 01 166	Mechanism Cap	1
346 01 677	Bolt M8 X 1.25/45 Mm	8
346 00 701	Gasket	1
346 00 254	Caliper Adjusting Mechanism	1
346 01 922	Caliper Brake Lining Calibration Gear	2
346 01 923	Caliper Brake Lining Calibration Gear	2

Truckexpert Nr	Description	OEM Nr	Application
346 01 171	Caliper Adjusting Mechanism Set		Elsa 2



346 01 303	Caliper Adjusting Mechanism Cap	1
346 00 702	Gasket	1
346 01 677	Bolt - M10 x 1.25 / 45 mm	8
346 00 254	Caliper Adjusting Mechanism	1
346 01 922	Caliper Brake Lining Calibration Gear	2
346 01 923	Caliper Brake Lining Calibration Gear	2

Truckexpert Nr	Description	OEM Nr	Application
346 00 282	Caliper Lever		Elsa 2





346 01 681	Lever	1
346 01 682	Roller Bearing	2
346 01 683	Lever Bearing	2


Truckexpert Nr	Description	OEM Nr	Application
346 00 292	Caliper Needle Bearing Set		Elsa 2



346 01 684	Half Bearing	2
-------------------	--------------	---

Truckexpert Nr	Description	OEM Nr	Application
346 00 697	Caliper Bearing Saddle Set		Elsa 2
			
346 01 685	Bearing Saddle	2	

Truckexpert Nr	Description	OEM Nr	Application
346 01 683	Caliper Lever Bearing		Elsa 2
			

Truckexpert Nr	Description	OEM Nr	Application
346 00 291	Caliper Bearing Set	SJ4112	Elsa 2
			
346 01 682	Roller Bearing	2	
346 01 683	Lever Bearing	2	
346 01 684	Half Bearing	2	

Truckexpert Nr	Description	OEM Nr	Application
346 00 454	Caliper Bearing Set	SJ4098	Elsa 2
			
346 01 682	Roller Bearing	2	
346 01 684	Half Bearing	2	
346 01 688	Lever Bearing	2	


Truckexpert Nr	Description	OEM Nr	Application
346 00 271	Manuel Adjusting Gear - L		Elsa 2



Truckexpert Nr	Description	OEM Nr	Application
346 00 266	Manuel Adjusting Gear - R		Elsa 2



Truckexpert Nr	Description	OEM Nr	Application
346 02 127	Caliper Lever		Elsa 2



346 01 682	Roller Bearing	2
346 01 687	Caliper Lever	1
346 01 688	Caliper Lever Bearing	2

Truckexpert Nr	Description	OEM Nr	Application
346 01 688	Caliper Lever Bearing		Elsa 2



MERITOR

Elsa 2

Truckexpert Nr	Description	OEM Nr	Application
----------------	-------------	--------	-------------

346 01 305 Caliper Complete Repair Set - L Elsa 2

346 00 341	Caliper Pin - Ø 35 / 144 mm	1
346 00 332	Caliper Pin - Ø 31 / 84 mm	1
346 00 347	Pin Bolt - M18 x 1.5 / 150 mm	1
346 00 344	Pin Bolt - M18 x 1.5 / 90 mm	1
346 00 886	Oval Bush - Ø 31-33 x 42 / 30 mm	1
346 00 364	Round Bush - Ø 35 x 39 / 30 mm	2
346 01 666	Ring - Ø 37 x 42 / 14 mm	2
346 00 894	Pin Cap - Ø 45 / 28 mm	2
346 01 667	Bolt - M10 x 1.25 / 20 mm	1
346 00 816	Bolt - M16 x 1.5 / 40 mm	4
346 00 354	Pin Boot	2
346 00 700	Caliper Dust Cover	1
346 00 357	Tappet Boot	2
346 01 166	Mechanism Cap	1
346 01 677	Bolt - M10 x 1.25 / 45 mm	8
346 00 701	Gasket	1
346 00 254	Caliper Adjusting Mechanism	1
346 01 922	Caliper Brake Lining Calibration Gear	2
346 01 923	Caliper Brake Lining Calibration Gear	2
346 00 271	Manuel Adjusting Gear - L	1
346 00 468	Caliper Adjuster Dust Boot	1
346 01 746	Shaft Seal	1
346 01 684	Half Bearing	2
346 01 681	Caliper Lever	1
346 01 682	Roller Bearing	2
346 01 685	Bearing Saddle	2
346 01 309	Caliper Visual Indicator	1
346 02 033	Screw M16X1,25X20	1
346 02 125	Caliper Pad	1
346 01 541	Grease - 5 g	1



346 01 305/1 Caliper Complete Repair Set - L Without Chrome Plated Pins


Truckexpert Nr	Description	OEM Nr	Application
----------------	-------------	--------	-------------

346 01 306 Caliper Complete Repair Set - R Elsa 2



346 00 341	Caliper Pin - Ø 35 / 144 mm	1
346 00 332	Caliper Pin - Ø 31 / 84 mm	1
346 00 347	Pin Bolt - M18 x 1.5 / 150 mm	1
346 00 344	Pin Bolt - M18 x 1.5 / 90 mm	1
346 00 886	Oval Bush - Ø 31-33 x 42 / 30 mm	1
346 00 364	Round Bush - Ø 35 x 39 / 30 mm	2
346 01 666	Ring - Ø 37 x 42 / 14 mm	2
346 00 894	Pin Cap - Ø 45 / 28 mm	2
346 01 667	Bolt - M10 x 1.25 / 20 mm	1
346 00 816	Bolt - M16 x 1.5 / 40 mm	4
346 00 354	Pin Boot	2
346 00 700	Caliper Dust Cover	1
346 00 357	Tappet Boot	2
346 01 166	Mechanism Cap	1
346 01 677	Bolt - M10 x 1.25 / 45 mm	8
346 00 701	Gasket	1
346 00 254	Caliper Adjusting Mechanism	1
346 01 922	Caliper Brake Lining Calibration Gear	2
346 01 923	Caliper Brake Lining Calibration Gear	2
346 00 266	Manuel Adjusting Gear - R	1
346 00 468	Caliper Adjuster Dust Boot	1
346 01 746	Shaft Seal	1
346 01 684	Half Bearing	2
346 01 681	Caliper Lever	1
346 01 682	Roller Bearing	2
346 01 685	Bearing Saddle	2
346 01 309	Caliper Visual Indicator	1
346 02 033	Screw M16X1,25X20	1
346 02 125	Caliper Pad	1
346 01 541	Grease - 5 g	1

346 01 306/1 Caliper Complete Repair Set - R Without Chrome Plated Pins

Truckexpert Nr	Description	OEM Nr	Application
346 01 307	Caliper Complete Repair Set		Elsa 2
			
346 00 853	Caliper Pin - Ø 35 / 126 mm		1
346 00 854	Caliper Oval Pin - Ø 33-35 / 66 mm		1
346 00 348	Pin Bolt - M20 x 1.5 / 150 mm		1
346 00 802	Pin Bolt - M20 x 1.5 / 90 mm		1
346 00 364	Round Bush - Ø 35 x 39 / 30 mm		3
346 01 671	Ring - Ø 35 x 43 / 2.5 mm		2
346 00 894	Pin Cap - Ø 45 / 28 mm		2
346 01 667	Bolt - M10 x 1.25 / 20 mm		1
346 00 816	Bolt - M16 x 1.5 / 40 mm		4
346 00 354	Pin Boot		2
346 00 357	Tappet Boot		2
346 01 303	Caliper Adjusting Mechanism Cap		1
346 01 677	Bolt - M10 x 1.25 / 45 mm		8
346 00 702	Gasket		1
346 00 254	Caliper Adjusting Mechanism		1
346 01 922	Caliper Brake Lining Calibration Gear		2
346 01 923	Caliper Brake Lining Calibration Gear		2
346 00 271	Manuel Adjusting Gear - L		1
346 00 700	Caliper Dust Cover		1
346 00 468	Caliper Adjuster Dust Boot		1
346 01 746	Shaft Seal		1
346 01 684	Half Bearing		2
346 01 687	Caliper Lever		1
346 01 682	Roller Bearing		2
346 01 688	Caliper Lever Bearing		2
346 01 685	Bearing Saddle		2
346 01 309	Caliper Visual Indicator		1
346 02 033	Screw M16X1,25X20		1
346 02 125	Caliper Pad		1
346 01 541	Grease - 5 g		1


346 01 307/1 Caliper Complete Repair Set Without Chrome Plated Pins

Truckexpert Nr	Description	OEM Nr	Application
346 01 308	Caliper Complete Repair Set		Elsa 2
			
346 00 853	Caliper Pin - Ø 35 / 126 mm		1
346 00 854	Caliper Oval Pin - Ø 33-35 / 66 mm		1
346 00 348	Pin Bolt - M20 x 1.5 / 150 mm		1
346 00 802	Pin Bolt - M20 x 1.5 / 90 mm		1
346 00 364	Round Bush - Ø 35 x 39 / 30 mm		3
346 01 671	Ring - Ø 35 x 43 / 2.5 mm		2
346 00 894	Pin Cap - Ø 45 / 28 mm		2
346 01 667	Bolt - M10 x 1.25 / 20 mm		1
346 00 816	Bolt - M16 x 1.5 / 40 mm		4
346 00 354	Pin Boot		2
346 00 357	Tappet Boot		2
346 01 303	Caliper Adjusting Mechanism Cap		1
346 01 677	Bolt - M10 x 1.25 / 45 mm		8
346 00 702	Gasket		1
346 00 254	Caliper Adjusting Mechanism		1
346 01 922	Caliper Brake Lining Calibration Gear		2
346 01 923	Caliper Brake Lining Calibration Gear		2
346 00 266	Manuel Adjusting Gear - R		1
346 00 700	Caliper Dust Cover		1
346 00 468	Caliper Adjuster Dust Boot		1
346 01 746	Shaft Seal		1
346 01 684	Half Bearing		2
346 01 687	Caliper Lever		1
346 01 682	Roller Bearing		2
346 01 688	Caliper Lever Bearing		2
346 01 685	Bearing Saddle		2
346 01 309	Caliper Visual Indicator		1
346 02 033	Screw M16X1,25X20		1
346 02 125	Caliper Pad		1
346 01 541	Grease - 5 g		1

346 01 308/1 Caliper Complete Repair Set Without Chrome Plated Pins



Truckexpert Nr	Description	OEM Nr	Application
346 02 251	Caliper Repair Set - Left		Elsa 2
346 00 700	Seal		1
346 00 271	Manuel Adjusting Gear - L		1
346 01 685	Bearing Saddle		2
346 00 468	Rubber Cap		1
346 00 341	Caliper Pin Ø 35 / 144 mm		1
346 00 332	Caliper Pin Ø 31 / 84 mm		1
346 00 347	Pin Bolt M18 x 1.5 / 150 mm		1
346 00 344	Pin Bolt M18 x 1.5 / 90 mm		1
346 00 364	Round Bush Ø 35 x 39 / 30 mm		2
346 01 666	Ring - Ø37 x 42 / 14 mm		2
346 00 894	Pin Cap Ø 45 / 28 mm		2
346 01 667	Bolt M10 x 1.25 / 20 mm		1
346 00 816	Bolt M16 x 1.5 / 40 mm		4
346 00 354	Pin Boot		2
346 00 886	Oval Bush Ø 35 x 39 / 10 mm		1
346 00 357	Tappet Boot		2
346 00 254	Caliper Adjusting Mechanism		1
346 01 922	Caliper Brake Lining Calibration Gear		2
346 01 923	Caliper Brake Lining Calibration Gear		2
346 02 249	Caliper Adjusting Mechanism Cap		1
346 01 672	Tappet Boot Ring		2
346 01 673	Gear Bush		2
346 01 674	Seal		2
346 00 701	Gasket		1
346 01 677	Bolt M8 x 1.25 / 45 mm		8
346 01 684	Caliper Needle Bearing		2
346 01 682	Roller Bearing		2
346 01 683	Lever Bearing		2
346 01 746	Shaft Seal		1
346 01 309	Caliper Visual Indicator		1
346 02 253	Caliper Rubber Cap Ring		1
346 01 541	Grease - 5 g		1




346 02 251/1 Caliper Repair Set - Left Without Chrome Plated Pins


Truckexpert Nr	Description	OEM Nr	Application
346 02 252	Caliper Repair Set - Right		Elsa 2
346 00 700	Seal		1
346 00 266	Manuel Adjusting Gear - R		1
346 01 685	Bearing Saddle		2
346 00 468	Rubber Cap		1
346 00 341	Caliper Pin Ø 35 / 144 mm		1
346 00 332	Caliper Pin Ø 31 / 84 mm		1
346 00 347	Pin Bolt M18 x 1.5 / 150 mm		1
346 00 344	Pin Bolt M18 x 1.5 / 90 mm		1
346 00 364	Round Bush Ø 35 x 39 / 30 mm		2
346 01 666	Ring - Ø37 x 42 / 14 mm		2
346 00 894	Pin Cap Ø 45 / 28 mm		2
346 01 667	Bolt M10 x 1.25 / 20 mm		1
346 00 816	Bolt M16 x 1.5 / 40 mm		4
346 00 354	Pin Boot		2
346 00 886	Oval Bush Ø 35 x 39 / 10 mm		1
346 00 357	Tappet Boot		2
346 00 254	Caliper Adjusting Mechanism		1
346 01 922	Caliper Brake Lining Calibration Gear		2
346 01 923	Caliper Brake Lining Calibration Gear		2
346 02 249	Caliper Adjusting Mechanism Cap		1
346 01 672	Tappet Boot Ring		2
346 01 673	Gear Bush		2
346 01 674	Seal		2
346 00 701	Gasket		1
346 01 677	Bolt M8 x 1.25 / 45 mm		8
346 01 684	Caliper Needle Bearing		2
346 01 682	Roller Bearing		2
346 01 683	Lever Bearing		2
346 01 746	Shaft Seal		1
346 01 309	Caliper Visual Indicator		1
346 02 253	Caliper Rubber Cap Ring		1
346 01 541	Grease - 5 g		1



346 02 252/1 Caliper Repair Set - Right Without Chrome Plated Pins

Truckexpert Nr	Description	OEM Nr	Application
346 02 254	Caliper Repair Set - Left		Elsa 2
			
		346 00 700	Seal 1
		346 00 271	Manuel Adjusting Gear - L 1
		346 01 685	Bearing Saddle 2
		346 00 468	Rubber Cap 1
		346 00 357	Tappet Boot 2
		346 00 364	Round Bush Ø 35 x 39 / 30 mm 3
		346 00 894	Pin Cap Ø 45 / 28 mm 2
		346 01 667	Bolt M10 x 1.25 / 20 mm 1
		346 00 816	Bolt M16 x 1.5 / 40 mm 4
		346 00 354	Pin Boot 2
		346 00 853	Caliper Pin Ø 35 / 126 mm 1
		346 00 854	Caliper Oval Pin Ø 33-35 / 66 mm 1
		346 00 348	Pin Bolt M20 x 1.5 / 150 mm 1
		346 00 802	Pin Bolt M20 x 1.5 / 90 mm 1
		346 01 671	Ring Ø 35 x 43 / 2.5 mm 2
		346 01 684	Caliper Needle Bearing 2
		346 01 682	Roller Bearing 2
		346 01 683	Lever Bearing 2
		346 01 746	Shaft Seal 1
		346 00 254	Caliper Adjusting Mechanism 1
		346 01 922	Caliper Brake Lining Calibration Gear 2
		346 01 923	Caliper Brake Lining Calibration Gear 2
		346 01 303	Mechanism Cap 1
		346 01 674	Seal 2
		346 01 677	Bolt M8 x 1.25/ 45 mm 8
		346 00 702	Gasket 1
		346 01 309	Caliper Visual Indicator 1
		346 02 253	Caliper Rubber Cap Ring 1
		346 01 541	Grease - 5 g 1

346 02 254/1 Caliper Repair Set - Left Without Chrome Plated Pins

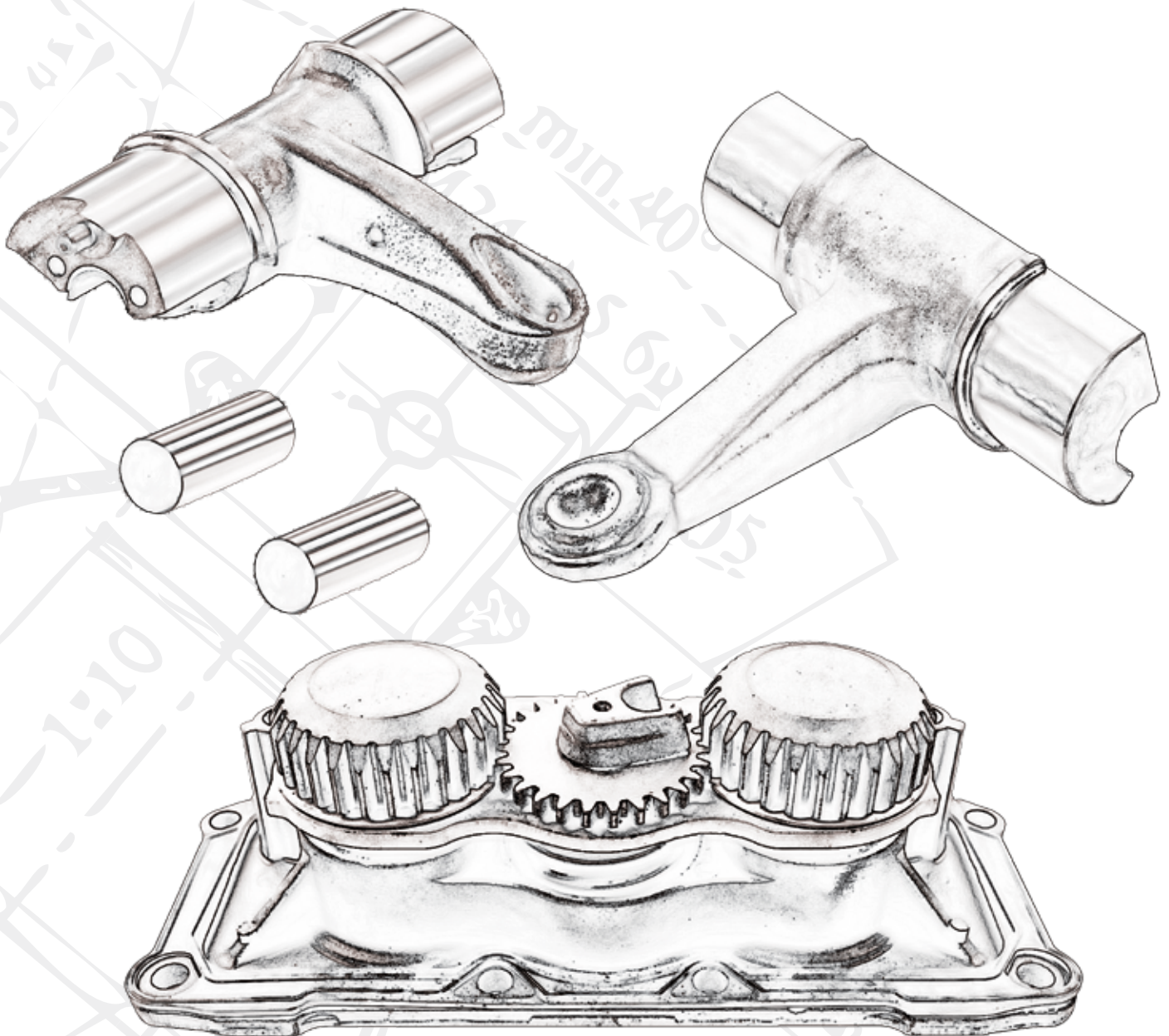
Truckexpert Nr	Description	OEM Nr	Application
346 02 255	Caliper Repair Set - Right		Elsa 2
			
346 00 700	Seal		1
346 00 266	Manuel Adjusting Gear - R		1
346 01 685	Bearing Saddle		2
346 00 468	Rubber Cap		1
346 00 357	Tappet Boot		2
346 00 364	Round Bush Ø 35 x 39 / 30 mm		3
346 00 894	Pin Cap Ø 45 / 28 mm		2
346 01 667	Bolt M10 x 1.25 / 20 mm		1
346 00 816	Bolt M16 x 1.5 / 40 mm		4
346 00 354	Pin Boot		2
346 00 853	Caliper Pin Ø 35 / 126 mm		1
346 00 854	Caliper Oval Pin Ø 33-35 / 66 mm		1
346 00 348	Pin Bolt M20 x 1.5 / 150 mm		1
346 00 802	Pin Bolt M20 x 1.5 / 90 mm		1
346 01 671	Ring Ø 35 x 43 / 2.5 mm		2
346 01 684	Caliper Needle Bearing		2
346 01 682	Roller Bearing		2
346 01 683	Lever Bearing		2
346 01 746	Shaft Seal		1
346 00 254	Caliper Adjusting Mechanism		1
346 01 922	Caliper Brake Lining Calibration Gear		2
346 01 923	Caliper Brake Lining Calibration Gear		2
346 01 303	Mechanism Cap		1
346 01 674	Seal		2
346 01 677	Bolt M8 x 1.25/ 45 mm		8
346 00 702	Gasket		1
346 01 309	Caliper Visual Indicator		1
346 02 253	Caliper Rubber Cap Ring		1
346 01 541	Grease - 5 g		1

346 02 255/1 Caliper Repair Set - Right Without Chrome Plated Pins

Elsa 195 / 225

MERITOR

Elsa 195
Elsa 225



Truckexpert Nr	Description	OEM Nr	Application
346 00 481	Caliper Dust Cover Set	MCK1088	Elsa 195 Elsa 225



346 00 354	Pin Boot	2
346 00 357	Tappet Boot	2
346 00 468	Rubber Cap	1
346 00 700	Caliper Dust Cover	1

Truckexpert Nr	Description	OEM Nr	Application
346 01 257	Caliper Tappet Boot Set	68324854PK10	Elsa 195 Elsa 225



346 00 357	Tappet Boot	10
-------------------	-------------	----

Truckexpert Nr	Description	OEM Nr	Application
346 00 755	Caliper Tappet Dust Cover		Elsa 2 Elsa 195 Elsa 225



346 00 354	Pin Boot	2
346 00 357	Tappet Boot	2

MERITOR

Elsa 195
Elsa 225

Truckexpert Nr	Description	OEM Nr	Application
346 00 301	Caliper Tappet Boot Set	MCK1139	Elsa 195 Elsa 225



346 00 357 Tappet Boot 2

Truckexpert Nr	Description	OEM Nr	Application
346 01 258	Caliper Pin Boot Set		Elsa 195 Elsa 225



346 00 354 Pin Boot 2

Truckexpert Nr	Description	OEM Nr	Application
346 01 669	Caliper Actuator Seal		Elsa 195 Elsa 225



Truckexpert Nr	Description	OEM Nr	Application
346 00 698	Caliper Beraing Cap		Elsa 195 Elsa 225



Truckexpert Nr	Description	OEM Nr	Application
346 00 700	Caliper Dust Cover	6832265PK10	Elsa 195 Elsa 225



Truckexpert Nr	Description	OEM Nr	Application
346 00 699	Caliper Actuator Seal Set	68323746PK10	Elsa 195 Elsa 225



346 00 700 Caliper Dust Cover 10

Truckexpert Nr	Description	OEM Nr	Application
346 01 953	Rubber Cap Set	68322655PK10	Elsa 195 Elsa 225




346 00 468 Rubber Cap 10

Truckexpert Nr	Description	OEM Nr	Application
346 00 687	Caliper Tappet & Boot Set	MCK1309	Elsa 195 Elsa 225

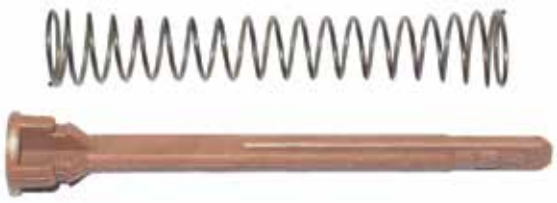


346 00 357 Tappet Boot 2
346 01 679 Tappet 2
346 01 680 Ring - Ø 32 X 34 / 6.5 mm 2

Truckexpert Nr	Description	OEM Nr	Application
346 01 169	Caliper Tappet Set		Elsa 195 Elsa 225
			
		346 01 679 Tappet	2
		346 01 680 Ring - Ø 32 X 34 / 6.5 mm	2

Truckexpert Nr	Description	OEM Nr	Application
346 00 675	Caliper Pad Retainer Kit	MCK1174	Elsa 195 Elsa 225
			
		346 02 125 Caliper Pad	1
		346 02 033 Screw M16X1,25X20	1

Truckexpert Nr	Description	OEM Nr	Application
346 01 256	Caliper Pin Bush Set		Elsa 195 Elsa 225
			
		346 00 364 Round Bush - Ø 35 x 39 / 30 mm	10

Truckexpert Nr	Description	OEM Nr	Application
346 00 485	Caliper Visual Indicator	MCK1311	Elsa 195 Elsa 225
			

Truckexpert Nr	Description	OEM Nr	Application
346 00 979	Caliper Visual Pad Wear Assembly		Elsa 195 Elsa 225
			
		346 00 485 Repair Kit, Brake Caliper	2

Truckexpert Nr	Description	OEM Nr	Application
346 00 310	Caliper Pin Repair Kit	MCK1254	Elsa 195



346 00 354	Pin Boot	2
346 00 364	Round Bush - Ø 35 X 39 / 30 mm	2
346 00 827	Pin Bolt - M18 X 1.5 / 120 mm	1
346 00 830	Caliper Pin Bolt	1
346 00 832	Bolt - M14 X 1.5 / 40 mm	4
346 00 886	Oval Bush - Ø 31-33 X 42 / 30 mm	1
346 00 903	Pin Cap - Ø 44 / 17 mm	2
346 01 541	Grease - 5 g	1
346 01 689	Caliper Pin - Ø 35 / 117 mm	1
346 01 690	Caliper Pin - Ø 31 / 78 mm	1
346 01 740	Ring - Ø 37 X 40 / 11 mm	2

346 00 310/1 Caliper Pin Repair Kit Without Chrome Plated Pins


Truckexpert Nr	Description	OEM Nr	Application
346 00 310/2	Caliper Pin Repair Kit	MCK1254	Elsa 195



346 00 354	Pin Boot	2
346 00 364	Round Bush - Ø 35 X 39 / 30 mm	2
346 00 827	Pin Bolt - M18 X 1.5 / 120 mm	1
346 00 830	Caliper Pin Bolt	1
346 00 816	Bolt - M16 X 1.5 / 40 mm	4
346 00 886	Oval Bush - Ø 31-33 X 42 / 30 mm	1
346 00 903	Pin Cap - Ø 44 / 17 mm	2
346 01 541	Grease - 5 g	1
346 01 689	Caliper Pin - Ø 35 / 117 mm	1
346 01 690	Caliper Pin - Ø 31 / 78 mm	1
346 01 740	Ring - Ø 37 X 40 / 11 mm	2

346 00 310/1 Caliper Pin Repair Kit Without Chrome Plated Pins

Truckexpert Nr	Description	OEM Nr	Application
346 00 482	Caliper Pin Repair Kit	MCK1298	Elsa 225



346 00 354	Pin Boot	2
346 00 364	Round Bush - Ø 35 X 39 / 30 mm	2
346 00 827	Pin Bolt - M18 X 1.5 / 120 mm	1
346 00 830	Caliper Pin Bolt	1
346 00 831	Bolt - M16 X 1.5 / 40 mm	4
346 00 832	Bolt - M14 X 1.5 / 40 mm	4
346 00 855	Caliper Pin - Ø 35 / 117 mm	1
346 00 856	Caliper Pin - Ø 31 / 78 mm	1
346 00 886	Oval Bush - Ø 31-33 X 42 / 30 mm	1
346 00 903	Pin Cap - Ø 44 / 17 mm	2
346 01 541	Grease - 5 g	1
346 01 740	Ring - Ø 37 X 40 / 11 mm	2

346 00 482/1 Caliper Pin Repair Kit Without Chrome Plated Pins

MERITOR

Elsa 195
Elsa 225

Truckexpert Nr	Description	OEM Nr	Application
346 01 919	Caliper Boot & Cap Set	MCK1253	Elsa 195




346 00 354	Pin Boot	2
346 00 832	Bolt - M14 X 1.5 / 40 mm	4
346 00 903	Pin Cap - Ø 44 / 17 mm	2

Truckexpert Nr	Description	OEM Nr	Application
346 00 483	Caliper Bolt Repair Kit	MCK1310	Elsa 225



346 00 354	Pin Boot	2
346 00 827	Pin Bolt - M18 X 1.5 / 120 mm	1
346 00 831	Bolt - M16 X 1.5 / 40 mm	4
346 00 832	Bolt - M14 X 1.5 / 40 mm	4
346 00 903	Pin Cap - Ø 44 / 17 mm	2
346 01 541	Grease - 5 g	1

Truckexpert Nr	Description	OEM Nr	Application
346 00 976	Caliper Bolt Repair Kit	MCK1317	Elsa 225 RADIAL



346 00 354	Pin Boot	2
346 00 364	Round Bush - Ø 35 X 39 / 30 mm	2
346 00 827	Pin Bolt - M18 X 1.5 / 120 mm	2
346 00 831	Bolt - M16 X 1.5 / 40 mm	4
346 00 855	Caliper Pin - Ø 35 / 117 mm	1
346 00 886	Oval Bush - Ø 31-33 X 42 / 30 mm	2
346 00 903	Pin Cap - Ø 44 / 17 mm	2
346 01 541	Grease - 5 g	1
346 01 740	Ring - Ø 37 X 40 / 11 mm	2
346 01 794	Caliper Pin - Ø 31 / 117 mm	1

346 00 976/1 Caliper Bolt Repair Kit Without Chrome Plated Pins

Truckexpert Nr	Description	OEM Nr	Application
346 00 254	Caliper Adjusting Mechanism		Elsa 195 Elsa 225



Truckexpert Nr	Description	OEM Nr	Application
346 00 686	Caliper Adjusting Mechanism Clutch System Repair Kit		Elsa 195 Elsa 225



346 01 675	Plastic Ring	1
346 01 676	Plastic Ring	2
346 01 300	Caliper Mechanism	1
346 01 923	Caliper Brake Lining Calibration Gear	2
346 01 924	Caliper Cam Shaft	2

Truckexpert Nr	Description	OEM Nr	Application
346 00 484	Caliper Pin Repair Kit	MCK1317	Elsa 225 RADIAL



346 00 354	Pin Boot	2
346 00 364	Round Bush - Ø 35 X 39 / 30 mm	2
346 00 816	Bolt - M16 X 1.5 / 40 mm	4
346 00 827	Pin Bolt - M18 X 1.5 / 120 mm	2
346 00 855	Caliper Pin - Ø 35 / 117 mm	1
346 00 886	Oval Bush - Ø 31-33 X 42 / 30 mm	2
346 00 903	Pin Cap - Ø 44 / 17 mm	2
346 01 541	Grease - 5 g	1
346 01 740	Ring - Ø 37 X 40 / 11 mm	2
346 01 794	Caliper Pin - Ø 31 / 117 mm	1

346 00 484/1 Caliper Pin Repair Kit Without Chrome Plated Pins

Truckexpert Nr	Description	OEM Nr	Application
346 00 692	Manuel Adjusting Gear		Elsa 195 Elsa 225



Truckexpert Nr	Description	OEM Nr	Application
346 01 959	Caliper Adjusting Mechanism Repair Kit		Elsa 195 Elsa 225



Truckexpert Nr	Description	OEM Nr	Application
346 01 310	Manuel Adjusting Gear		Elsa 195



Truckexpert Nr	Description	OEM Nr	Application
346 00 703	Gasket		Elsa 195 Elsa 225



Truckexpert Nr	Description	OEM Nr	Application
346 01 678	Bush For Mechanism Cap		Elsa 195 Elsa 225



Truckexpert Nr	Description	OEM Nr	Application
346 00 691	Caliper Adjusting Mechanism Cap		Elsa 195 Elsa 225



346 01 174	Aluminum Cap	1
346 00 703	Gasket	1
346 01 692	Bolt - M8 x 1.25 / 45 mm	8

Truckexpert Nr	Description	OEM Nr	Application
346 01 261	Caliper Adjusting Mechanism Cap (With Bush)		Elsa 195 Elsa 225



346 01 174/1	Mechanism Cap	1
346 00 703	Gasket	1
346 01 692	Bolt - M8 x 1.25 / 45 mm	8

Truckexpert Nr	Description	OEM Nr	Application
346 00 694	Caliper Gear Bush & Seal Set		Elsa 195 Elsa 225



346 01 672	Tappet Boot Ring	2
346 01 674	Seal	2
346 01 904	Gear Bush	2

Truckexpert Nr	Description	OEM Nr	Application
346 00 264	Caliper Brake Lining Calibration Gear (New Model) 49.5 mm		Elsa 195 Elsa 225



346 01 922	Caliper Brake Lining Calibration Gear	1
346 01 923	Caliper Brake Lining Calibration Gear	1

Truckexpert Nr	Description	OEM Nr	Application
346 00 801	Caliper Adjusting Mechanism Set		Elsa 195 Elsa 225




346 00 254	Caliper Adjusting Mechanism	1
346 01 923	Caliper Brake Lining Calibration Gear	2
346 01 174/1	Caliper Adjusting Mechanism Cap	1
346 01 922	Caliper Brake Lining Calibration Gear	2

Truckexpert Nr	Description	OEM Nr	Application
346 00 292	Caliper Needle Bearing Set		Elsa 195 Elsa 225




346 01 684	Half Bearing	2
-------------------	--------------	---

Truckexpert Nr	Description	OEM Nr	Application
346 00 291	Caliper Bearing Set	SJ4112	Elsa 195 Elsa 225
			
		346 01 682	Roller Bearing 2
		346 01 683	Lever Bearing 2
		346 01 684	Half Bearing 2

Truckexpert Nr	Description	OEM Nr	Application
346 01 683	Caliper Lever Bearing		Elsa 195 Elsa 225
			

Truckexpert Nr	Description	OEM Nr	Application
346 00 697	Caliper Bearing Saddle Set		Elsa 195 Elsa 225
			
		346 01 685	Bearing Saddle 2

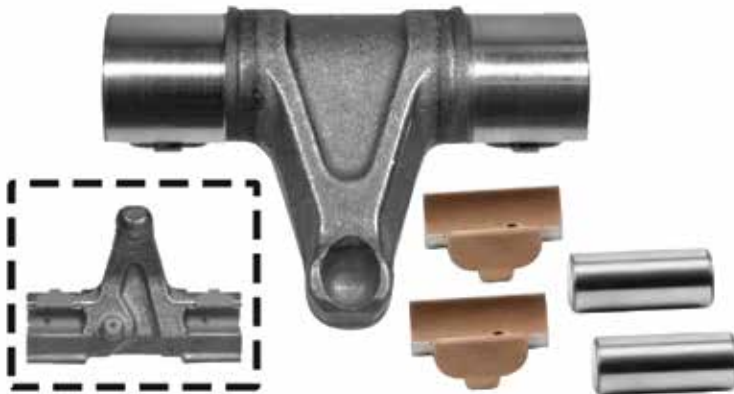
Truckexpert Nr	Description	OEM Nr	Application
346 00 985	Caliper Lever		Elsa 195
			
346 01 683		Lever Bearing	2
346 01 687		Caliper Lever	1

Truckexpert Nr	Description	OEM Nr	Application
----------------	-------------	--------	-------------

346 01 262

Caliper Lever

Elsa 195



346 02 129	Caliper Lever	1
346 01 682	Roller Bearing	2
346 01 683	Caliper Lever Bearing	2

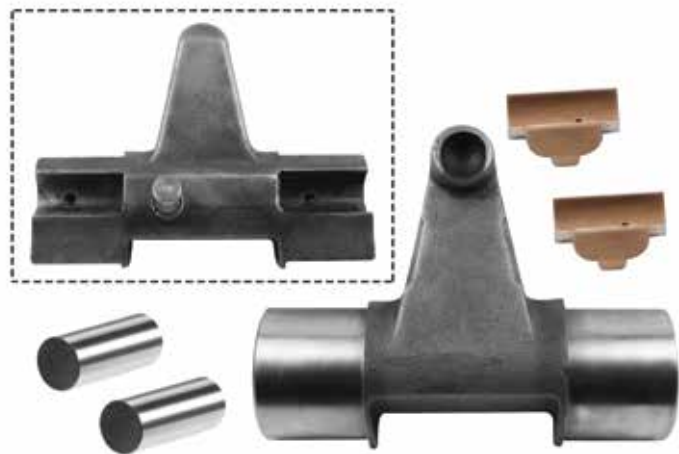
Truckexpert Nr	Description	OEM Nr	Application
----------------	-------------	--------	-------------

346 00 706

Caliper Lever

Elsa 195

Elsa 225



346 02 130	Caliper Lever	1
346 01 682	Roller Bearing	2
346 01 683	Caliper Lever Bearing	2

Truckexpert Nr	Description	OEM Nr	Application
----------------	-------------	--------	-------------

346 01 062

Caliper Lever

Elsa 225



346 01 694	Lever	1
346 01 695	Lever Bearing	2
346 01 682	Roller Bearing	2

Truckexpert Nr	Description	OEM Nr	Application
346 02 383	Caliper Adjusting Mechanism Cap		Elsa 195 Elsa 225



Truckexpert Nr	Description	OEM Nr	Application
346 02 384	Caliper Adjusting Mechanism Cap		Elsa 195 Elsa 225



Truckexpert Nr	Description	OEM Nr	Application
346 02 385	Caliper Pin Repair Kit		Elsa 195 Elsa 225





346 00 364	Round Bush Ø 35 X 39 / 30 mm	2
346 00 354	Pin Boot	2
346 01 690	Caliper Pin Ø 31 / 78 mm	1
346 01 740	Ring Ø 37 X 40 / 11 mm	2
346 00 903	Pin Cap Ø 44 / 17 mm	2
346 01 689	Caliper Pin Ø 35 / 117 mm	1
346 00 827	Pin Bolt M18 X 1.5 / 120 mm	1
346 00 830	Pin Bolt M18 X 1.5 / 80 mm	1
346 00 886	Oval Bush Ø 35 X 39 / 10 mm	1
346 00 831	Bolt M16 X 1.5 / 40 mm	4
346 01 541	Grease - 5 g	1


Truckexpert Nr	Description	OEM Nr	Application
346 02 388	Caliper Pad Spring Set		Elsa 225
			


Truckexpert Nr	Description	OEM Nr	Application
346 02 389	Caliper Sensor Cover Repair Kit		Elsa 195 Elsa 225
			

Truckexpert Nr	Description	OEM Nr	Application									
346 02 390	Caliper Lever		Elsa 195 Elsa 225									
												
		<table border="1"> <tbody> <tr> <td>346 02 391</td> <td>Caliper Lever</td> <td>1</td> </tr> <tr> <td>346 02 392</td> <td>Caliper Lever Bearing</td> <td>2</td> </tr> <tr> <td>346 01 682</td> <td>Roller Bearing</td> <td>2</td> </tr> </tbody> </table>	346 02 391	Caliper Lever	1	346 02 392	Caliper Lever Bearing	2	346 01 682	Roller Bearing	2	
346 02 391	Caliper Lever	1										
346 02 392	Caliper Lever Bearing	2										
346 01 682	Roller Bearing	2										

Truckexpert Nr	Description	OEM Nr	Application
346 02 392	Caliper Lever Bearing		Elsa 195 Elsa 225
			

Truckexpert Nr	Description	OEM Nr	Application
346 00 624	Caliper Bearing Set		Elsa 225
			
		346 01 682	Roller Bearing 2
		346 01 695	Lever Bearing 2
		346 01 684	Half Bearing 2

Truckexpert Nr	Description	OEM Nr	Application
346 01 695	Lever Bearing		Elsa 225
			

Truckexpert Nr	Description	OEM Nr	Application
346 01 263	Caliper Complete Repair Set		Elsa 195
			
		346 01 689	Caliper Pin - Ø 35 / 117 mm 1
		346 01 690	Caliper Pin - Ø 31 / 78 mm 1
		346 00 827	Pin Bolt - M18 x 1.5 / 120 mm 1
		346 00 830	Pin Bolt - M18 x 1.5 / 80 mm 1
		346 00 886	Oval Bush - Ø 31-33 x 42 / 30 mm 1
		346 00 364	Round Bush - Ø 35 x 39 / 30 mm 2
		346 01 740	Ring - Ø 37 x 40 / 11 mm 2
		346 00 903	Pin Cap - Ø 44 / 17 mm 2
		346 00 832	Bolt - M14 x 1.5 / 40 mm 4
		346 00 354	Pin Boot 2
		346 01 669	Caliper Actuator Seal 1
		346 00 357	Tappet Boot 2
		346 00 254	Caliper Adjusting Mechanism 1
		346 01 923	Caliper Brake Lining Calibration Gear 2
		346 01 174	Aluminum Cap 1
		346 01 922	Caliper Brake Lining Calibration Gear 2
		346 00 703	Gasket 1
		346 01 692	Bolt - M8 x 1.25 / 45 mm 8
		346 01 310	Manuel Adjusting Gear 1
		346 00 468	Caliper Adjuster Dust Boot 1
		346 01 746	Shaft Seal 1
		346 01 684	Half Bearing 2
		346 02 129	Caliper Lever 1
		346 01 682	Roller Bearing 2
		346 01 695	Caliper Lever Bearing 2
		346 01 685	Bearing Saddle 2
		346 00 485	Caliper Visual Indicator 1
		346 02 125	Caliper Pad 1
		346 02 033	Screw M16X1,25X20 1
		346 01 541	Grease - 5 g 1

346 01 263/1 Caliper Complete Repair Set Without Chrome Plated Pins

Truckexpert Nr	Description	OEM Nr	Application
----------------	-------------	--------	-------------



346 02 386	Caliper Repair Set		Elsa 195 Elsa 225
346 02 387	Caliper Adjusting Mechanism Cap		1
346 01 672	Tappet Boot Ring		2
346 01 674	Seal		2
346 01 673	Gear Bush		2
346 01 692	Bolt M8 X 1.25 / 45 mm		1
346 00 703	Gasget		1
346 01 922	Caliper Brake Lining Calibration Gear		2
346 01 923	Caliper Brake Lining Calibration Gear		2
346 00 254	Caliper Adjusting Mechanism		1
346 01 684	Caliper Needle Bearing		2
346 01 682	Roller Bearing		2
346 01 683	Lever Bearing		2
346 00 357	Tappet Boot		2
346 01 685	Bearing Saddle		2
346 00 700	Seal		1
346 00 692	Manuel Adjusting Gear		1
346 00 468	Rubber Cap		1
346 01 746	Shaft Seal		1
346 00 485	Caliper Visual Indicator		1
346 02 253	Caliper Rubber Cap Ring		1
346 00 364	Round Bush Ø 35 X 39 / 30 mm		2
346 00 354	Pin Boot		2
346 01 690	Caliper Pin Ø 31 / 78 mm		1
346 01 740	Ring Ø 37 X 40 / 11 mm		2
346 00 903	Pin Cap Ø 44 / 17 mm		2
346 01 689	Caliper Pin Ø 35 / 117 mm		1
346 00 827	Pin Bolt M18 X 1.5 / 120 mm		1
346 00 830	Pin Bolt M18 X 1.5 / 80 mm		1
346 00 886	Oval Bush Ø 35 X 39 / 10 mm		1
346 00 831	Bolt M16 X 1.5 / 40 mm		4
346 01 541	Grease - 5 g		1


346 02 386/1 Caliper Repair Set Without Chrome Plated Pins

Truckexpert Nr	Description	OEM Nr	Application
----------------	-------------	--------	-------------

346 02 393	Caliper Complete Repair Set		Elsa 195 Elsa 225
346 00 364	Round Bush Ø 35 X 39 / 30 mm		2
346 00 354	Pin Boot		2
346 01 690	Caliper Pin Ø 31 / 78 mm		1
346 01 740	Ring Ø 37 X 40 / 11 mm		2
346 00 903	Pin Cap Ø 44 / 17 mm		2
346 01 689	Caliper Pin Ø 35 / 117 mm		1
346 00 830	Pin Bolt M18 X 1.5 / 80 mm		1
346 00 886	Oval Bush Ø 35 X 39 / 10 mm		1
346 00 832	Bolt M14 X 1.5 / 40 mm		4
346 00 827	Pin Bolt M18 X 1.5 / 120 mm		1
346 02 387	Caliper Adjusting Mechanism Cap		1
346 01 672	Tappet Boot Ring		2
346 01 674	Seal		2
346 01 673	Gear Bush		2
346 01 692	Bolt M8 X 1.25 / 45 mm		1
346 00 703	Gasget		1
346 01 922	Caliper Brake Lining Calibration Gear		2
346 01 923	Caliper Brake Lining Calibration Gear		2
346 00 254	Caliper Adjusting Mechanism		1
346 01 684	Caliper Needle Bearing		2
346 00 357	Tappet Boot		2
346 02 391	Caliper Lever		1
346 02 392	Caliper Lever Bearing		2
346 01 682	Roller Bearing		2
346 01 685	Bearing Saddle		2
346 00 692	Manuel Adjusting Gear		1
346 00 468	Rubber Cap		1
346 01 669	Caliper Actuator Seal		1
346 01 746	Shaft Seal		1
346 00 485	Caliper Visual Indicator		1
346 01 541	Grease - 5 g		1



346 02 393/1 Caliper Complete Repair Set Without Chrome Plated Pins

Truckexpert Nr	Description	OEM Nr	Application
346 01 264	Caliper Complete Repair Set		Elsa 195 Elsa 225
			
346 01 689	Caliper Pin - Ø 35 / 117 mm		1
346 01 690	Caliper Pin - Ø 31 / 78 mm		1
346 00 827	Pin Bolt - M18 x 1.5 / 120 mm		1
346 00 830	Pin Bolt - M18 x 1.5 / 80 mm		1
346 00 886	Oval Bush - Ø 31-33 x 42 / 30 mm		1
346 00 364	Round Bush - Ø 35 x 39 / 30 mm		2
346 01 740	Ring - Ø 37 x 39 / 10 mm		2
346 00 903	Pin Cap - Ø 44 / 17 mm		2
346 00 832	Bolt - M14 x 1.5 / 40 mm		4
346 00 354	Pin Boot		2
346 01 669	Caliper Actuator Seal		1
346 00 357	Tappet Boot		2
346 00 254	Caliper Adjusting Mechanism		1
346 01 923	Caliper Brake Lining Calibration Gear		2
346 01 922	Caliper Brake Lining Calibration Gear		2
346 00 703	Gasket		1
346 01 692	Bolt - M8 x 1.25 / 45 mm		8
346 00 692	Manuel Adjusting Gear		1
346 00 468	Caliper Adjuster Dust Boot		1
346 01 746	Shaft Seal		1
346 01 684	Half Bearing		2
346 02 130	Aluminium Cap		1
346 01 174	Aluminium Cap		1
346 01 682	Roller Bearing		2
346 01 683	Caliper Lever Bearing		2
346 01 685	Bearing Saddle		2
346 00 485	Caliper Visual Indicator		1
346 02 125	Caliper Pad		1
346 02 033	Screw M16X1,25X20		1
346 01 541	Grease - 5 g		1


346 01 264/1 Caliper Complete Repair Set Without Chrome Plated Pins

Truckexpert Nr	Description	OEM Nr	Application
346 01 265	Caliper Complete Repair Set		Elsa 225
			
346 00 855	Caliper Pin Ø 35 / 117 mm		1
346 01 794	Caliper Pin - Ø 31 / 117 mm		1
346 00 827	Pin Bolt M18 X 1.5 / 120 mm		2
346 00 886	Oval Bush Ø 35 X 39 / 10 mm		2
346 01 740	Ring Ø 37 X 40 / 11 mm		2
346 00 364	Round Bush Ø 35 X 39 / 30 mm		2
346 00 903	Pin Cap Ø 44 / 17 mm		2
346 00 831	Bolt M16 X1.5 / 40 mm		4
346 00 354	Pin Boot		2
346 01 669	Caliper Actuator Seal		1
346 00 357	Tappet Boot		2
346 01 174	Aluminium Cap		1
346 00 703	Gasget		1
346 01 692	Bolt M8 X 1.25 / 45 mm		8
346 00 254	Caliper Adjusting Mechanism		1
346 01 922	Caliper Brake Lining Calibration Gear		2
346 01 923	Caliper Brake Lining Calibration Gear		2
346 00 692	Manuel Adjusting Gear		1
346 00 468	Rubber Cap		1
346 01 746	Shaft Seal		1
346 01 684	Caliper Needle Bearing		2
346 01 694	Lever		1
346 01 695	Lever Bearing		2
346 01 682	Roller Bearing		2
346 01 685	Bearing Saddle		2
346 00 485	Caliper Visual Indicator		1
346 02 033	Screw M16X1,25X20		1
346 02 125	Caliper Pad Retainer		1
346 01 541	Grease - 5 g		1

346 01 265/1 Caliper Complete Repair Set Without Chrome Plated Pins




Elsa 195
Elsa 225

Truckexpert Nr	Description	OEM Nr	Application
346 00 486	Pad Wear Indicator		Elsa 2 Elsa 195 Elsa 225
			

Truckexpert Nr	Description	OEM Nr	Application
346 00 704	Pad Wear Indicator (Front-Right)		Elsa 2 Elsa 195 Elsa 225
			

Truckexpert Nr	Description	OEM Nr	Application
346 00 757	Pad Wear Indicator (Back-Right)		Elsa 2 Elsa 195 Elsa 225
			

Truckexpert Nr	Description	OEM Nr	Application
346 00 758	Pad Wear Indicator (Front-Left)		Elsa 2 Elsa 195 Elsa 225
			

Truckexpert Nr	Description	OEM Nr	Application
346 00 759	Pad Wear Indicator (Back-Left)		Elsa 2 Elsa 195 Elsa 225
			

Truckexpert Nr	Description	OEM Nr	Application
346 00 705	Pad Wear Indicator (Back-Right)		Elsa 2 Elsa 195 Elsa 225
			

Truckexpert Nr	Description	OEM Nr	Application
346 00 760	Pad Wear Indicator (Front-Left)		Elsa 2 Elsa 195 Elsa 225
			

Truckexpert Nr	Description	OEM Nr	Application
346 00 761	Pad Wear Indicator (Back-Left)		Elsa 2 Elsa 195 Elsa 225
			

MERITOR

Truckexpert Nr	Description	OEM Nr	Application
----------------	-------------	--------	-------------

346 00 762

Pad Wear Indicator (Front-Right)

Elsa 2
Elsa 195
Elsa 225



Truckexpert Nr	Description	OEM Nr	Application
----------------	-------------	--------	-------------

346 00 980

Pad Wear Indicator (Front)

Elsa 2
Elsa 195
Elsa 225



Truckexpert Nr	Description	OEM Nr	Application
----------------	-------------	--------	-------------

346 00 981

Pad Wear Indicator (Back)

Elsa 2
Elsa 195
Elsa 225



Truckexpert Nr	Description	OEM Nr	Application
----------------	-------------	--------	-------------

346 00 982

Pad Wear Indicator (Left-Right Front)


Elsa 2
Elsa 195
Elsa 225



Elsa 195
Elsa 225

Truckexpert Nr	Description	OEM Nr	Application
346 00 983	Pad Wear Indicator (Back-Left)		Elsa 2 Elsa 195 Elsa 225
			


Truckexpert Nr	Description	OEM Nr	Application
346 00 984	Pad Wear Indicator (Back-Right)		Elsa 2 Elsa 195 Elsa 225
			

Truckexpert Nr	Description	OEM Nr	Application
346 01 017	Pad Wear Indicator		Elsa 2 Elsa 195 Elsa 225
			


Truckexpert Nr	Description	OEM Nr	Application
346 01 018	Pad Wear Indicator		Elsa 2 Elsa 195 Elsa 225
			

MERITOR


Elsa 195
Elsa 225

Truckexpert Nr	Description	OEM Nr	Application
346 01 019	Pad Wear Indicator		Elsa 2 Elsa 195 Elsa 225
			


Truckexpert Nr	Description	OEM Nr	Application
346 01 020	Pad Wear Indicator		Elsa 2 Elsa 195 Elsa 225
			

Truckexpert Nr	Description	OEM Nr	Application
346 01 021	Pad Wear Indicator		Elsa 2 Elsa 195 Elsa 225
			

Truckexpert Nr	Description	OEM Nr	Application
346 01 022	Pad Wear Indicator		Elsa 2 Elsa 195 Elsa 225
			

Truckexpert Nr	Description	OEM Nr	Application
346 01 023	Pad Wear Indicator		Elsa 2 Elsa 195 Elsa 225
			

Truckexpert Nr	Description	OEM Nr	Application
346 01 024	Pad Wear Indicator		Elsa 2 Elsa 195 Elsa 225
			

Truckexpert Nr	Description	OEM Nr	Application
346 01 025	Pad Wear Indicator		Elsa 2 Elsa 195 Elsa 225
			


Truckexpert Nr	Description	OEM Nr	Application
346 01 026	Pad Wear Indicator		Elsa 2 Elsa 195 Elsa 225
			


Elsa 1


MERITOR

Elsa 1



Truckexpert Nr	Description	OEM Nr	Application			
346 00 303	Caliper Tappet Boot Set	ST1156	Elsa 1			
						
<table border="1"> <tr> <td>346 00 356</td> <td>Caliper Dust Cover</td> <td>2</td> </tr> </table>				346 00 356	Caliper Dust Cover	2
346 00 356	Caliper Dust Cover	2				

Truckexpert Nr	Description	OEM Nr	Application			
346 01 912	Caliper Pin Boot Set		Elsa 1			
						
<table border="1"> <tr> <td>346 00 940</td> <td>Pin Boot</td> <td>2</td> </tr> </table>				346 00 940	Pin Boot	2
346 00 940	Pin Boot	2				

Truckexpert Nr	Description	OEM Nr	Application						
346 00 621	Caliper Tappet Cover Kit		Elsa 1						
									
<table border="1"> <tr> <td>346 00 356</td> <td>Caliper Dust Cover</td> <td>2</td> </tr> <tr> <td>346 00 940</td> <td>Pin Boot</td> <td>2</td> </tr> </table>				346 00 356	Caliper Dust Cover	2	346 00 940	Pin Boot	2
346 00 356	Caliper Dust Cover	2							
346 00 940	Pin Boot	2							

Truckexpert Nr	Description	OEM Nr	Application																																	
346 01 266	Caliper Boot & Pin Repair Kit		Elsa 1																																	
																																				
<table border="1"> <tr> <td>346 00 340</td> <td>Caliper Pin - Ø 35 / 135 mm</td> <td>1</td> </tr> <tr> <td>346 00 348</td> <td>Pin Bolt - M20 x 1.5 / 150 mm</td> <td>1</td> </tr> <tr> <td>346 00 364</td> <td>Round Bush - Ø 35 x 39 / 30 mm</td> <td>2</td> </tr> <tr> <td>346 00 371</td> <td>Pin Cap Ø 45 / 28 mm</td> <td>2</td> </tr> <tr> <td>346 00 852</td> <td>Caliper Pin - Ø 28.5 / 110 mm - (With Bolt)</td> <td>1</td> </tr> <tr> <td>346 00 940</td> <td>Pin Boot</td> <td>2</td> </tr> <tr> <td>346 00 943</td> <td>Rubber Bush - Ø 28.5 x 40 / 27 mm</td> <td>1</td> </tr> <tr> <td>346 01 541</td> <td>Grease - 5 g</td> <td>1</td> </tr> <tr> <td>346 01 696</td> <td>Ring - Ø 36-37 x 39 / 15 mm - (With Step)</td> <td>1</td> </tr> <tr> <td>346 01 700</td> <td>Ring - Ø 30 x 40 / 19 mm</td> <td>1</td> </tr> <tr> <td>346 00 356</td> <td>Tappet Boot</td> <td>2</td> </tr> </table>				346 00 340	Caliper Pin - Ø 35 / 135 mm	1	346 00 348	Pin Bolt - M20 x 1.5 / 150 mm	1	346 00 364	Round Bush - Ø 35 x 39 / 30 mm	2	346 00 371	Pin Cap Ø 45 / 28 mm	2	346 00 852	Caliper Pin - Ø 28.5 / 110 mm - (With Bolt)	1	346 00 940	Pin Boot	2	346 00 943	Rubber Bush - Ø 28.5 x 40 / 27 mm	1	346 01 541	Grease - 5 g	1	346 01 696	Ring - Ø 36-37 x 39 / 15 mm - (With Step)	1	346 01 700	Ring - Ø 30 x 40 / 19 mm	1	346 00 356	Tappet Boot	2
346 00 340	Caliper Pin - Ø 35 / 135 mm	1																																		
346 00 348	Pin Bolt - M20 x 1.5 / 150 mm	1																																		
346 00 364	Round Bush - Ø 35 x 39 / 30 mm	2																																		
346 00 371	Pin Cap Ø 45 / 28 mm	2																																		
346 00 852	Caliper Pin - Ø 28.5 / 110 mm - (With Bolt)	1																																		
346 00 940	Pin Boot	2																																		
346 00 943	Rubber Bush - Ø 28.5 x 40 / 27 mm	1																																		
346 01 541	Grease - 5 g	1																																		
346 01 696	Ring - Ø 36-37 x 39 / 15 mm - (With Step)	1																																		
346 01 700	Ring - Ø 30 x 40 / 19 mm	1																																		
346 00 356	Tappet Boot	2																																		
346 01 266/1 Caliper Boot & Pin Repair Kit Without Chrome Plated Pins																																				

Truckexpert Nr	Description	OEM Nr	Application
346 00 453	Caliper Pin Repair Kit	MCK1102	Elsa 1



346 00 340	Caliper Pin - Ø 35 / 135 mm	1
346 00 348	Pin Bolt - M20 X 1.5 / 150 mm	1
346 00 364	Round Bush - Ø 35 X 39 / 30 mm	2
346 00 371	Pin Cap Ø 45 / 28 mm	2
346 00 802	Pin Bolt - M20 X 1.5 / 90 mm	1
346 00 851	Caliper Pin - Ø 35 / 72 mm	1
346 00 884	Oval Bush - Ø 35-37 X 40 / 33 mm	1
346 00 940	Pin Boot	2
346 01 541	Grease - 5 g	1
346 01 696	Ring - Ø 36-37 X 39 / 15 mm - (With Step)	1
346 01 697	Ring - Ø 37 X 40 / 15 mm - (Without Step)	1
346 01 698	Ring - Ø 37 X 48 / 14 mm	2

346 00 453/1 Caliper Pin Repair Kit Without Chrome Plated Pins

Truckexpert Nr	Description	OEM Nr	Application
346 00 314	Caliper Boot & Pin Repair Kit		Elsa 1



346 00 340	Caliper Pin - Ø 35 / 135 mm	1
346 00 348	Pin Bolt - M20 X 1.5 / 150 mm	1
346 00 356	Caliper Dust Cover	2
346 00 364	Round Bush - Ø 35 X 39 / 30 mm	2
346 00 371	Pin Cap Ø 45 / 28 mm	2
346 00 802	Pin Bolt - M20 X 1.5 / 90 mm	1
346 00 851	Caliper Pin - Ø 35 / 72 mm	1
346 00 940	Pin Boot	2
346 01 696	Ring - Ø 36-37 X 39 / 15 mm - (With Step)	1
346 01 697	Ring - Ø 37 X 40 / 15 mm - (Without Step)	1
346 00 884	Oval Bush - Ø 35-37 X 40 / 33 mm	1
346 01 698	Ring - Ø 37 X 48 / 14 mm	2
346 01 541	Grease - 5 g	1

346 00 314/1 Caliper Boot & Pin Repair Kit Without Chrome Plated Pins

Truckexpert Nr	Description	OEM Nr	Application
346 01 256	Caliper Pin Bush Set		Elsa 1
			
346 00 364 Round Bush - Ø 35 x 39 / 30 mm 10			

Truckexpert Nr	Description	OEM Nr	Application
346 00 466	Caliper Small Gear Mechanism - L	68322562	Elsa 1
			

Truckexpert Nr	Description	OEM Nr	Application
346 00 465	Caliper Small Gear Mechanism - R	68322563	Elsa 1
			

Truckexpert Nr	Description	OEM Nr	Application
346 00 296	Locking Shim	68321678	Elsa 1



Truckexpert Nr	Description	OEM Nr	Application
346 01 267	Caliper Gear Slot Set		Elsa 1



346 01 701	Gear Slot	2
-------------------	-----------	---

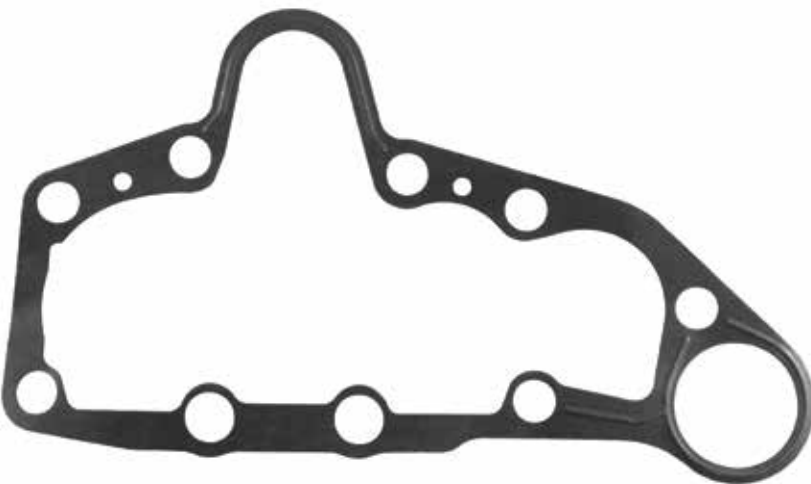
Truckexpert Nr	Description	OEM Nr	Application
346 00 320	Caliper Pin Repair Kit	MCK1103	Elsa 1



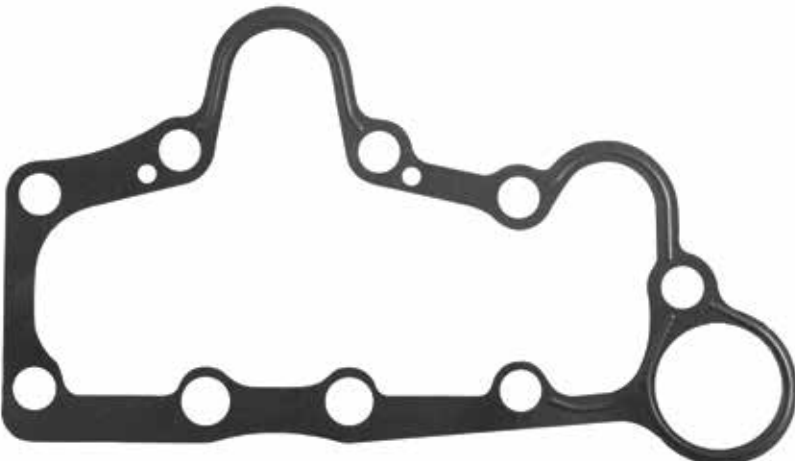
346 00 340	Caliper Pin - Ø 35 / 135 mm	1
346 00 348	Pin Bolt - M20 X 1.5 / 150 mm	1
346 00 364	Round Bush - Ø 35 X 39 / 30 mm	2
346 00 371	Pin Cap Ø 45 / 28 mm	2
346 00 852	Caliper Pin - Ø 28.5 / 110 mm - (With Bolt)	1
346 00 940	Pin Boot	2
346 00 943	Rubber Bush - Ø 28.5 X 40 / 27 mm	1
346 01 541	Grease - 5 g	1
346 01 696	Ring - Ø 36-37 X 39 / 15 mm - (With Step)	1
346 01 700	Ring - Ø 30 X 40 / 19 mm	1

346 00 320/1 Caliper Pin Repair Kit Without Chrome Plated Pins

Truckexpert Nr	Description	OEM Nr	Application
346 00 638	Caliper Gasket		Elsa 1



Truckexpert Nr	Description	OEM Nr	Application
346 00 637	Caliper Gasket		Elsa 1



Truckexpert Nr	Description	OEM Nr	Application
346 00 639	Caliper Gasket		Elsa 1



Truckexpert Nr	Description	OEM Nr	Application
346 01 268	Caliper Pad Retainer Kit	MCK1262	Elsa 1



Truckexpert Nr	Description	OEM Nr	Application
346 01 269	Caliper Bolt Set		Elsa 1



346 02 131 Caliper Bolt - M14 x 1.5 / 90 mm 7

Truckexpert Nr	Description	OEM Nr	Application
346 01 270	Caliper Bolt Set		Elsa 1




346 00 805 Pin Bolt - M16 x 1.5 / 55 mm 4


Truckexpert Nr	Description	OEM Nr	Application
346 01 877	Caliper Adjusting Gear Bush 35mm		Elsa 1



Truckexpert Nr	Description	OEM Nr	Application
346 00 274	Caliper Adjusting Gear - L 35 mm		Elsa 1



Truckexpert Nr	Description	OEM Nr	Application
346 00 269	Caliper Adjusting Gear - R 35 mm		Elsa 1




Truckexpert Nr	Description	OEM Nr	Application
346 00 246	Caliper Adjusting Gear Set - R		Elsa 1



346 00 269	Adjusting Gear / 35 mm - R	2
346 01 701	Gear Slot	2
346 01 702	Intermediate Gear / 35 mm	1

Truckexpert Nr	Description	OEM Nr	Application
346 00 248	Caliper Adjusting Gear Set - L		Elsa 1



346 00 274	Adjusting Gear / 35 mm - L	2
346 01 701	Gear Slot	2
346 01 702	Intermediate Gear / 35 mm	1

Truckexpert Nr	Description	OEM Nr	Application
346 01 060	Caliper Adjusting Mechanism Tappers Repair Kit 35 mm (Right)		Elsa 1



346 00 269	Adjusting Gear / 35 mm - R	2
346 01 701	Gear Slot	2
346 01 702	Intermediate Gear / 35 mm	1
346 01 877	Caliper Adjusting Gear Bush 35 mm	2

Truckexpert Nr	Description	OEM Nr	Application
346 01 061	Caliper Adjusting Mechanism Tappers Repair Kit 35 mm (Left)		Elsa 1




346 00 274	Adjusting Gear / 35 mm - L	2
346 01 701	Gear Slot	2
346 01 702	Intermediate Gear / 35 mm	1
346 01 877	Caliper Adjusting Gear Bush 35 mm	2


Truckexpert Nr	Description	OEM Nr	Application
346 01 878	Caliper Adjusting Gear Bush 37,5mm		Elsa 1



Truckexpert Nr	Description	OEM Nr	Application
346 00 275	Caliper Adjusting Gear - L 37.5 mm		Elsa 1



Truckexpert Nr	Description	OEM Nr	Application
346 00 270	Caliper Adjusting Gear - R 37.5 mm		Elsa 1



Truckexpert Nr	Description	OEM Nr	Application
346 00 249	Caliper Adjusting Gear Set - L		Elsa 1



346 00 275	Caliper Adjusting Gear / 37.5 mm - L	2
346 01 701	Gear Slot	2
346 01 703	Intermediate Gear / 37.5 mm	1

Truckexpert Nr	Description	OEM Nr	Application
346 00 247	Caliper Adjusting Gear Set - R		Elsa 1



346 00 275	Adjusting Gear / 37.5 mm - R	2
346 01 701	Gear Slot	2
346 01 703	Intermediate Gear / 37.5 mm	1

Truckexpert Nr	Description	OEM Nr	Application
346 00 627	Caliper Adjusting Mechanism Tappers Repair Kit 37.5 mm (Right)		Elsa 1



346 00 270	Adjusting Gear / 37.5 mm - R	2
346 01 701	Gear Slot	2
346 01 703	Intermediate Gear / 37.5 mm	1
346 01 878	Caliper Adjusting Gear Bush 37,5mm	2

Truckexpert Nr	Description	OEM Nr	Application
346 00 628	Caliper Adjusting Mechanism Tappers Repair Kit 37.5 mm (Left)		Elsa 1



346 00 275	Caliper Adjusting Gear / 37.5 mm - L	2
346 01 701	Gear Slot	2
346 01 703	Intermediate Gear / 37.5 mm	1
346 01 878	Caliper Adjusting Gear Bush 37,5mm	2

Truckexpert Nr	Description	OEM Nr	Application
346 00 255	Caliper Adjusting Mechanism		Elsa 1



Truckexpert Nr	Description	OEM Nr	Application
346 00 286	Adjusting Mechanism Clutch System - L		Elsa 1




Truckexpert Nr	Description	OEM Nr	Application
346 00 626	Caliper Adjusting Mechanism Clutch System Repair Kit(Left)		Elsa 1




346 00 255	Caliper Adjusting Mechanism	1
346 00 286	Adjusting Mechanism Clutch System - L	1


Truckexpert Nr	Description	OEM Nr	Application
346 00 284	Adjusting Mechanism Clutch System - R		Elsa 1





Truckexpert Nr	Description	OEM Nr	Application
346 00 625	Caliper Adjusting Mechanism Clutch System Repair Kit(Right)		Elsa 1




346 00 255	Caliper Adjusting Mechanism	1
346 00 284	Adjusting Mechanism Clutch System - R	1


Truckexpert Nr	Description	OEM Nr	Application
346 00 630	Spring Retainer Thrust Set - L		Elsa 1
			
346 01 704	Spring Retainer Thrust - L		1
346 01 705	Spring Retainer		1
346 01 706	Lever Pin		1
346 01 707	Bracket		1

Truckexpert Nr	Description	OEM Nr	Application
346 00 629	Spring Retainer Thrust Set - R		Elsa 1
			
346 01 705	Spring Retainer		1
346 01 706	Lever Pin		1
346 01 707	Bracket		1
346 01 708	Spring Retainer Thrust - R		1

Truckexpert Nr	Description	OEM Nr	Application
346 01 271	Adjusting Mechanism Clutch System - L		Elsa 1
			
346 02 167	Adjusting Mechanism Clutch System - L		1
346 02 126	Bracket		1

Truckexpert Nr	Description	OEM Nr	Application
346 01 272	Adjusting Mechanism Clutch System - R		Elsa 1
			
346 02 168	Adjusting Mechanism Clutch System - R		1
346 02 126	Bracket		1

Truckexpert Nr	Description	OEM Nr	Application
346 00 634	Caliper Lever - L		Elsa 1



346 00 632	Caliper Lever - L	1
346 01 682	Roller Bearing	2
346 01 683	Lever Bearing	2

Truckexpert Nr	Description	OEM Nr	Application
346 00 633	Caliper Lever - R		Elsa 1



346 00 631	Caliper Lever - R	1
346 01 682	Roller Bearing	2
346 01 683	Lever Bearing	2

Truckexpert Nr	Description	OEM Nr	Application
346 00 291	Caliper Bearing Set	SJ4112	Elsa 1



346 01 682	Roller Bearing	2
346 01 683	Lever Bearing	2
346 01 684	Half Bearing	2

Truckexpert Nr	Description	OEM Nr	Application
346 00 292	Caliper Needle Bearing Set		Elsa 1



346 01 684	Half Bearing	2
-------------------	--------------	---

Truckexpert Nr	Description	OEM Nr	Application
346 02 266	Caliper Pad Spring Set	MBA108	Elsa 1



Truckexpert Nr	Description	OEM Nr	Application
346 02 267	Caliper Gear Bush Set - 35 mm		Elsa 1




346 01 877 Caliper Adjusting Gear Bush - 35 mm 2

Truckexpert Nr	Description	OEM Nr	Application
346 02 268	Caliper Gear Bush Set - 37.5 mm		Elsa 1




346 01 878 Caliper Adjusting Gear Bush - 37.5mm 2

Truckexpert Nr	Description	OEM Nr	Application
346 02 270	Adjusting Mechanism Clutch System - L		Elsa 1 Radial




346 02 126	Bracket	1
346 02 269	Adjusting Mechanism Clutch System - L	1

Truckexpert Nr	Description	OEM Nr	Application
346 02 272	Adjusting Mechanism Clutch System - R		Elsa 1 Radial




346 02 126	Bracket	1
346 02 271	Adjusting Mechanism Clutch System - R	1

Truckexpert Nr	Description	OEM Nr	Application
346 02 273	Adjusting Mechanism Kit - L	MCK1211	Elsa 1



346 00 255	Caliper Adjusting Mechanism	1
346 01 706	Lever Pin	1
346 02 167	Adjusting Mechanism Clutch System - L	1
346 02 126	Bracket	1

Truckexpert Nr	Description	OEM Nr	Application
346 02 274	Adjusting Mechanism Kit - R	MCK1212	Elsa 1



346 00 255	Caliper Adjusting Mechanism	1
346 01 706	Lever Pin	1
346 02 168	Adjusting Mechanism Clutch System - R	1
346 02 126	Bracket	1

Truckexpert Nr	Description	OEM Nr	Application
----------------	-------------	--------	-------------

346 02 275

Adjusting Mechanism Kit - L

MCK1209

Elsa 1



346 00 255	Caliper Adjusting Mechanism	1
346 01 706	Lever Pin	1
346 02 126	Bracket	1
346 02 269	Adjusting Mechanism Clutch System - L	1

Truckexpert Nr	Description	OEM Nr	Application
----------------	-------------	--------	-------------

346 02 276

Adjusting Mechanism Kit - R

MCK1210

Elsa 1



346 00 255	Caliper Adjusting Mechanism	1
346 01 706	Lever Pin	1
346 02 126	Bracket	1
346 02 271	Adjusting Mechanism Clutch System - R	1

Truckexpert Nr	Description	OEM Nr	Application
----------------	-------------	--------	-------------

346 02 277

Caliper Adjusting Mechanism Caps & Seals Kit

68322300PK10

Elsa 1



346 01 746	Shaft Seal	10
346 02 278	Caliper Piston Boot	10
346 02 279	Caliper Mechanism Top Shield	10

Truckexpert Nr	Description	OEM Nr	Application
346 02 283	Caliper Lever - L		Elsa 1 Radial
			
		346 01 682 Roller Bearing	2
		346 02 282 Caliper Lever - L	1

Truckexpert Nr	Description	OEM Nr	Application
346 02 284	Caliper Complete Repair Set - L		Elsa 1 Radial
			

346 01 650 Mechanism	1	346 01 702 Intermediate Gear / 35 mm	1
346 00 851 Caliper Pin - Ø 35 / 72 mm	1	346 01 701 Gear Slot	2
346 00 348 Pin Bolt M20 x 1.5 / 150 mm	1	346 00 255 Caliper Adjusting Mechanism	1
346 00 802 Pin Bolt M20 x 1.5 / 90 mm	1	346 01 706 Lever Pin	1
346 00 884 Oval Bush - Ø 35-37 x 40 / 33 mm	1	346 02 126 Bracket	1
346 00 364 Round Bush Ø 35 x 39 / 30 mm	2	346 02 269 Adjusting Mechanism Clutch System - L	1
346 01 696 Ring - Ø 36-37 x 39 / 15 mm - (With Step)	1	346 01 682 Roller Bearing	2
346 01 697 Ring - Ø 37 x 40 / 15 mm - (Without Step)	1	346 02 282 Caliper Lever - L	1
346 01 698 Ring - Ø 37 x 48 / 14 mm	2	346 01 684 Caliper Needle Bearing	2
346 00 371 Pin Cap Ø 45 / 28 mm	2	346 00 296 Locking Shim	1
346 00 940 Pin Boot	2	346 01 704 Spring - L	1
346 00 356 Tappet Boot	2	346 01 705 Spring Retainer	1
346 00 274 Caliper Adjusting Gear 35 mm - L	2	346 01 541 Grease - 5 g	1


346 02 284/1 Caliper Complete Repair Set - L Without Chrome Plated Pins

Truckexpert Nr	Description	OEM Nr	Application
346 02 280	Caliper Lever - R		Elsa 1 Radial
			
		346 01 682 Roller Bearing	2
		346 02 281 Caliper Lever - R	1

Truckexpert Nr	Description	OEM Nr	Application
346 02 285	Caliper Complete Repair Set - R		Elsa 1 Radial
			
346 01 650 Mechanism	1	346 01 702 Intermediate Gear / 35 mm	1
346 00 851 Caliper Pin - Ø 35 / 72 mm	1	346 01 701 Gear Slot	2
346 00 348 Pin Bolt M20 x 1.5 / 150 mm	1	346 00 255 Caliper Adjusting Mechanism	1
346 00 802 Pin Bolt M20 x 1.5 / 90 mm	1	346 01 706 Lever Pin	1
346 00 884 Oval Bush - Ø 35-37 x 40 / 33 mm	1	346 02 126 Bracket	1
346 00 364 Round Bush Ø 35 x 39 / 30 mm	2	346 02 271 Adjusting Mechanism Clutch System - R	1
346 01 696 Ring - Ø 36-37 x 39 / 15 mm - (With Step)	1	346 01 682 Roller Bearing	2
346 01 697 Ring - Ø 37 x 40 / 15 mm - (Without Step)	1	346 02 281 Caliper Lever - R	1
346 01 698 Ring - Ø 37 x 48 / 14 mm	2	346 01 684 Caliper Needle Bearing	2
346 00 371 Pin Cap Ø 45 / 28 mm	2	346 00 296 Locking Shim	1
346 00 940 Pin Boot	2	346 01 708 Spring - R	1
346 00 356 Tappet Boot	2	346 01 705 Spring Retainer	1
346 00 269 Caliper Adjusting Gear / 35 mm - R	2	346 01 541 Grease - 5 g	1

346 02 285/1 Caliper Complete Repair Set - R Without Chrome Plated Pins

Truckexpert Nr	Description	OEM Nr	Application																																																																																	
346 01 273	Caliper Complete Repair Set - L		Elsa 1																																																																																	
																																																																																				
		<table border="1"> <tbody> <tr><td>346 00 340</td><td>Caliper Pin - Ø 35 / 135 mm</td><td>1</td></tr> <tr><td>346 00 348</td><td>Pin Bolt - M20 x 1.5 / 150 mm</td><td>1</td></tr> <tr><td>346 00 364</td><td>Round Bush - Ø 35 x 39 / 30 mm</td><td>2</td></tr> <tr><td>346 00 371</td><td>Pin Cap Ø 45 / 28 mm</td><td>2</td></tr> <tr><td>346 00 852</td><td>Caliper Pin - Ø 28.5 / 110 mm - (With Bolt)</td><td>1</td></tr> <tr><td>346 00 940</td><td>Pin Boot</td><td>2</td></tr> <tr><td>346 00 943</td><td>Rubber Bush - Ø 28.5 x 40 / 27 mm</td><td>1</td></tr> <tr><td>346 01 696</td><td>Ring - Ø 36-37 x 39 / 15 mm - (With Step)</td><td>1</td></tr> <tr><td>346 01 700</td><td>Ring - Ø 30 x 40 / 19 mm</td><td>1</td></tr> <tr><td>346 00 356</td><td>Tappet Boot</td><td>2</td></tr> <tr><td>346 00 466</td><td>Caliper Small Gear Mechanism - L</td><td>1</td></tr> <tr><td>346 00 296</td><td>Locking Shim</td><td>1</td></tr> <tr><td>346 00 255</td><td>Caliper Adjusting Mechanism</td><td>1</td></tr> <tr><td>346 01 702</td><td>Intermediate Gear / 35 mm</td><td>1</td></tr> <tr><td>346 00 274</td><td>Caliper Adjusting Gear - L</td><td>2</td></tr> <tr><td>346 01 701</td><td>Gear Slot</td><td>2</td></tr> <tr><td>346 00 286</td><td>Adjusting Mechanism Clutch System - L</td><td>1</td></tr> <tr><td>346 01 704</td><td>Spring Retainer Thrust - L</td><td>1</td></tr> <tr><td>346 01 705</td><td>Spring Retainer</td><td>1</td></tr> <tr><td>346 01 706</td><td>Lever Pin</td><td>1</td></tr> <tr><td>346 01 707</td><td>Bracket</td><td>1</td></tr> <tr><td>346 00 632</td><td>Caliper Lever - L</td><td>1</td></tr> <tr><td>346 01 682</td><td>Roller Bearing</td><td>2</td></tr> <tr><td>346 01 683</td><td>Caliper Lever Bearing</td><td>2</td></tr> <tr><td>346 01 684</td><td>Half Bearing</td><td>2</td></tr> <tr><td>346 00 637</td><td>Gasket</td><td>1</td></tr> <tr><td>346 01 541</td><td>Grease - 5 g</td><td>1</td></tr> </tbody> </table>	346 00 340	Caliper Pin - Ø 35 / 135 mm	1	346 00 348	Pin Bolt - M20 x 1.5 / 150 mm	1	346 00 364	Round Bush - Ø 35 x 39 / 30 mm	2	346 00 371	Pin Cap Ø 45 / 28 mm	2	346 00 852	Caliper Pin - Ø 28.5 / 110 mm - (With Bolt)	1	346 00 940	Pin Boot	2	346 00 943	Rubber Bush - Ø 28.5 x 40 / 27 mm	1	346 01 696	Ring - Ø 36-37 x 39 / 15 mm - (With Step)	1	346 01 700	Ring - Ø 30 x 40 / 19 mm	1	346 00 356	Tappet Boot	2	346 00 466	Caliper Small Gear Mechanism - L	1	346 00 296	Locking Shim	1	346 00 255	Caliper Adjusting Mechanism	1	346 01 702	Intermediate Gear / 35 mm	1	346 00 274	Caliper Adjusting Gear - L	2	346 01 701	Gear Slot	2	346 00 286	Adjusting Mechanism Clutch System - L	1	346 01 704	Spring Retainer Thrust - L	1	346 01 705	Spring Retainer	1	346 01 706	Lever Pin	1	346 01 707	Bracket	1	346 00 632	Caliper Lever - L	1	346 01 682	Roller Bearing	2	346 01 683	Caliper Lever Bearing	2	346 01 684	Half Bearing	2	346 00 637	Gasket	1	346 01 541	Grease - 5 g	1	
346 00 340	Caliper Pin - Ø 35 / 135 mm	1																																																																																		
346 00 348	Pin Bolt - M20 x 1.5 / 150 mm	1																																																																																		
346 00 364	Round Bush - Ø 35 x 39 / 30 mm	2																																																																																		
346 00 371	Pin Cap Ø 45 / 28 mm	2																																																																																		
346 00 852	Caliper Pin - Ø 28.5 / 110 mm - (With Bolt)	1																																																																																		
346 00 940	Pin Boot	2																																																																																		
346 00 943	Rubber Bush - Ø 28.5 x 40 / 27 mm	1																																																																																		
346 01 696	Ring - Ø 36-37 x 39 / 15 mm - (With Step)	1																																																																																		
346 01 700	Ring - Ø 30 x 40 / 19 mm	1																																																																																		
346 00 356	Tappet Boot	2																																																																																		
346 00 466	Caliper Small Gear Mechanism - L	1																																																																																		
346 00 296	Locking Shim	1																																																																																		
346 00 255	Caliper Adjusting Mechanism	1																																																																																		
346 01 702	Intermediate Gear / 35 mm	1																																																																																		
346 00 274	Caliper Adjusting Gear - L	2																																																																																		
346 01 701	Gear Slot	2																																																																																		
346 00 286	Adjusting Mechanism Clutch System - L	1																																																																																		
346 01 704	Spring Retainer Thrust - L	1																																																																																		
346 01 705	Spring Retainer	1																																																																																		
346 01 706	Lever Pin	1																																																																																		
346 01 707	Bracket	1																																																																																		
346 00 632	Caliper Lever - L	1																																																																																		
346 01 682	Roller Bearing	2																																																																																		
346 01 683	Caliper Lever Bearing	2																																																																																		
346 01 684	Half Bearing	2																																																																																		
346 00 637	Gasket	1																																																																																		
346 01 541	Grease - 5 g	1																																																																																		
346 01 273/1 Caliper Complete Repair Set - L Without Chrome Plated Pins																																																																																				

Truckexpert Nr	Description	OEM Nr	Application																																																																														
346 01 274	Caliper Complete Repair Set - R		Elsa 1																																																																														
																																																																																	
		<table border="1"> <tbody> <tr><td>346 00 340</td><td>Caliper Pin - Ø 35 / 135 mm</td><td>1</td></tr> <tr><td>346 00 348</td><td>Pin Bolt - M20 x 1.5 / 150 mm</td><td>1</td></tr> <tr><td>346 00 364</td><td>Round Bush - Ø 35 x 39 / 30 mm</td><td>2</td></tr> <tr><td>346 00 371</td><td>Pin Cap Ø 45 / 28 mm</td><td>2</td></tr> <tr><td>346 00 852</td><td>Caliper Pin - Ø 28.5 / 110 mm - (With Bolt)</td><td>1</td></tr> <tr><td>346 00 940</td><td>Pin Boot</td><td>2</td></tr> <tr><td>346 00 943</td><td>Rubber Bush - Ø 28.5 x 40 / 27 mm</td><td>1</td></tr> <tr><td>346 01 696</td><td>Ring - Ø 36-37 x 39 / 15 mm - (With Step)</td><td>1</td></tr> <tr><td>346 01 700</td><td>Ring - Ø 30 x 40 / 19 mm</td><td>1</td></tr> <tr><td>346 00 356</td><td>Tappet Boot</td><td>2</td></tr> <tr><td>346 00 465</td><td>Caliper Small Gear Mechanism - R</td><td>1</td></tr> <tr><td>346 00 296</td><td>Locking Shim</td><td>1</td></tr> <tr><td>346 00 255</td><td>Caliper Adjusting Mechanism</td><td>1</td></tr> <tr><td>346 01 702</td><td>Intermediate Gear / 35 mm</td><td>1</td></tr> <tr><td>346 00 269</td><td>Caliper Adjusting Gear - R</td><td>2</td></tr> <tr><td>346 01 701</td><td>Gear Slot</td><td>2</td></tr> <tr><td>346 01 708</td><td>Spring Retainer Thrust - R</td><td>1</td></tr> <tr><td>346 01 705</td><td>Spring Retainer</td><td>1</td></tr> <tr><td>346 01 706</td><td>Lever Pin</td><td>1</td></tr> <tr><td>346 01 707</td><td>Bracket</td><td>1</td></tr> <tr><td>346 00 631</td><td>Caliper Lever - R</td><td>1</td></tr> <tr><td>346 01 682</td><td>Roller Bearing</td><td>2</td></tr> <tr><td>346 01 683</td><td>Caliper Lever Bearing</td><td>2</td></tr> <tr><td>346 01 684</td><td>Half Bearing</td><td>2</td></tr> <tr><td>346 00 637</td><td>Gasket</td><td>1</td></tr> <tr><td>346 01 541</td><td>Grease - 5 g</td><td>1</td></tr> </tbody> </table>	346 00 340	Caliper Pin - Ø 35 / 135 mm	1	346 00 348	Pin Bolt - M20 x 1.5 / 150 mm	1	346 00 364	Round Bush - Ø 35 x 39 / 30 mm	2	346 00 371	Pin Cap Ø 45 / 28 mm	2	346 00 852	Caliper Pin - Ø 28.5 / 110 mm - (With Bolt)	1	346 00 940	Pin Boot	2	346 00 943	Rubber Bush - Ø 28.5 x 40 / 27 mm	1	346 01 696	Ring - Ø 36-37 x 39 / 15 mm - (With Step)	1	346 01 700	Ring - Ø 30 x 40 / 19 mm	1	346 00 356	Tappet Boot	2	346 00 465	Caliper Small Gear Mechanism - R	1	346 00 296	Locking Shim	1	346 00 255	Caliper Adjusting Mechanism	1	346 01 702	Intermediate Gear / 35 mm	1	346 00 269	Caliper Adjusting Gear - R	2	346 01 701	Gear Slot	2	346 01 708	Spring Retainer Thrust - R	1	346 01 705	Spring Retainer	1	346 01 706	Lever Pin	1	346 01 707	Bracket	1	346 00 631	Caliper Lever - R	1	346 01 682	Roller Bearing	2	346 01 683	Caliper Lever Bearing	2	346 01 684	Half Bearing	2	346 00 637	Gasket	1	346 01 541	Grease - 5 g	1	
346 00 340	Caliper Pin - Ø 35 / 135 mm	1																																																																															
346 00 348	Pin Bolt - M20 x 1.5 / 150 mm	1																																																																															
346 00 364	Round Bush - Ø 35 x 39 / 30 mm	2																																																																															
346 00 371	Pin Cap Ø 45 / 28 mm	2																																																																															
346 00 852	Caliper Pin - Ø 28.5 / 110 mm - (With Bolt)	1																																																																															
346 00 940	Pin Boot	2																																																																															
346 00 943	Rubber Bush - Ø 28.5 x 40 / 27 mm	1																																																																															
346 01 696	Ring - Ø 36-37 x 39 / 15 mm - (With Step)	1																																																																															
346 01 700	Ring - Ø 30 x 40 / 19 mm	1																																																																															
346 00 356	Tappet Boot	2																																																																															
346 00 465	Caliper Small Gear Mechanism - R	1																																																																															
346 00 296	Locking Shim	1																																																																															
346 00 255	Caliper Adjusting Mechanism	1																																																																															
346 01 702	Intermediate Gear / 35 mm	1																																																																															
346 00 269	Caliper Adjusting Gear - R	2																																																																															
346 01 701	Gear Slot	2																																																																															
346 01 708	Spring Retainer Thrust - R	1																																																																															
346 01 705	Spring Retainer	1																																																																															
346 01 706	Lever Pin	1																																																																															
346 01 707	Bracket	1																																																																															
346 00 631	Caliper Lever - R	1																																																																															
346 01 682	Roller Bearing	2																																																																															
346 01 683	Caliper Lever Bearing	2																																																																															
346 01 684	Half Bearing	2																																																																															
346 00 637	Gasket	1																																																																															
346 01 541	Grease - 5 g	1																																																																															
346 01 274/1 Caliper Complete Repair Set - R Without Chrome Plated Pins																																																																																	

Truckexpert Nr	Description	OEM Nr	Application
----------------	-------------	--------	-------------

Truckexpert Nr	Description	OEM Nr	Application
346 01 275	Caliper Complete Repair Set - L		Elsa 1




346 00 340	Caliper Pin - Ø 35 / 135 mm	1
346 00 348	Pin Bolt - M20 x 1.5 / 150 mm	1
346 00 364	Round Bush - Ø 35 x 39 / 30 mm	2
346 00 371	Pin Cap Ø 45 / 28 mm	2
346 00 852	Caliper Pin - Ø 28.5 / 110 mm - (With Bolt)	1
346 00 940	Pin Boot	2
346 00 943	Rubber Bush - Ø 28.5 x 40 / 27 mm	1
346 01 696	Ring - Ø 36-37 x 39 / 15 mm - (With Step)	1
346 01 700	Ring - Ø 30 x 40 / 19 mm	1
346 00 356	Tappet Boot	2
346 00 296	Locking Shim	1
346 00 255	Caliper Adjusting Mechanism	1
346 01 703	Intermediate Gear / 37.5 mm	1
346 00 275	Adjusting Gear / 37.5 mm - L	2
346 01 701	Gear Slot	2
346 00 286	Adjusting Mechanism Clutch System - L	1
346 01 704	Spring Retainer Thrust - L	1
346 01 705	Spring Retainer	1
346 01 706	Lever Pin	1
346 01 707	Bracket	1
346 00 632	Caliper Lever - L	1
346 01 684	Half Bearing	2
346 01 682	Roller Bearing	2
346 01 683	Caliper Lever Bearing	2
346 00 638	Gasket	1
346 01 541	Grease - 5 g	1

346 01 275/1 Caliper Complete Repair Set - L Without Chrome Plated Pins

Truckexpert Nr	Description	OEM Nr	Application
----------------	-------------	--------	-------------

Truckexpert Nr	Description	OEM Nr	Application
346 01 276	Caliper Complete Repair Set - R		Elsa 1



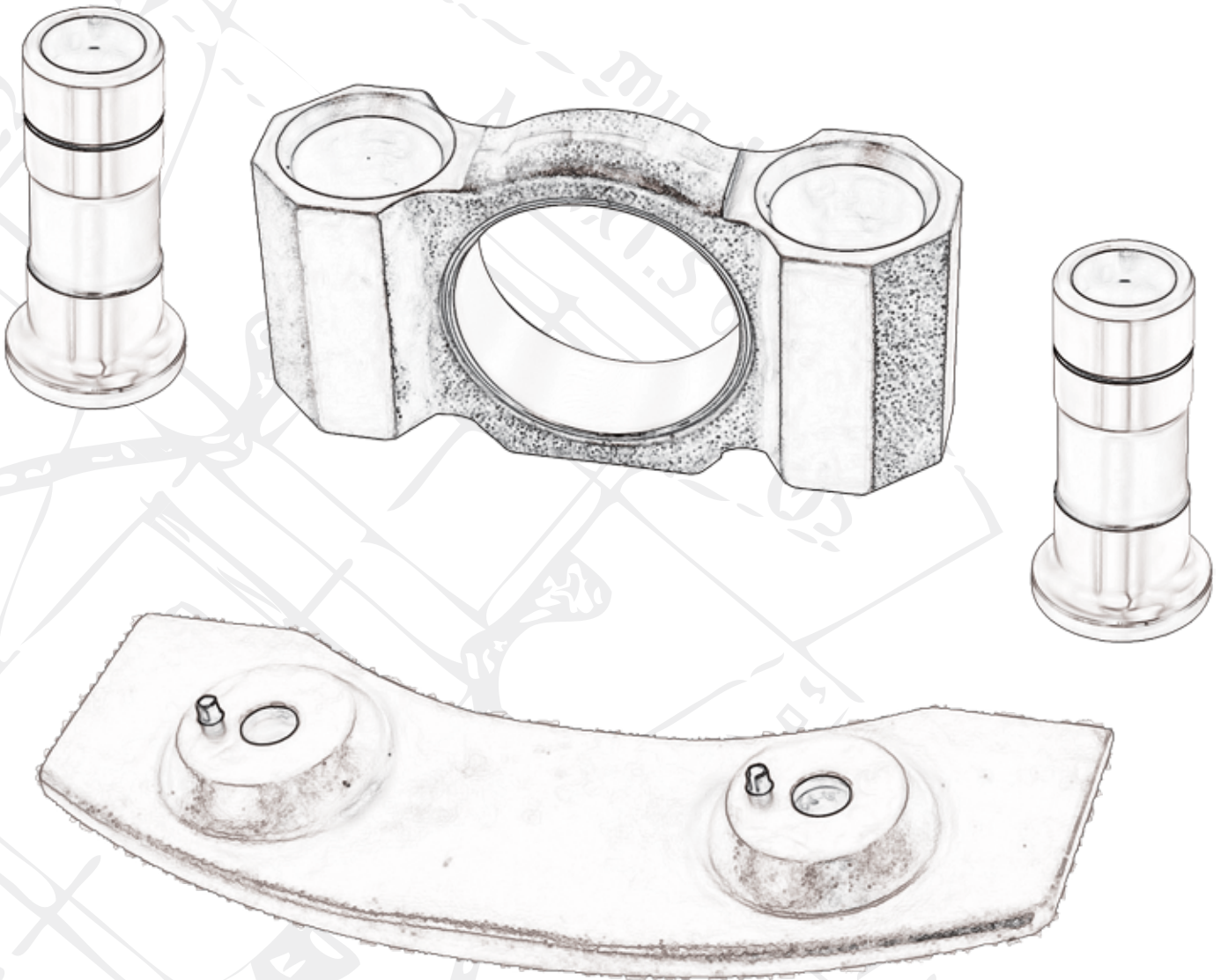
346 00 340	Caliper Pin - Ø 35 / 135 mm	1
346 00 348	Pin Bolt - M20 x 1.5 / 150 mm	1
346 00 364	Round Bush - Ø 35 x 39 / 30 mm	2
346 00 371	Pin Cap Ø 45 / 28 mm	2
346 00 852	Caliper Pin - Ø 28.5 / 110 mm - (With Bolt)	1
346 00 940	Pin Boot	2
346 00 943	Rubber Bush - Ø 28.5 x 40 / 27 mm	1
346 01 696	Ring - Ø 36-37 x 39 / 15 mm - (With Step)	1
346 01 700	Ring - Ø 30 x 40 / 19 mm	1
346 00 356	Tappet Boot	2
346 00 296	Locking Shim	1
346 00 255	Caliper Adjusting Mechanism	1
346 01 703	Intermediate Gear / 37.5 mm	1
346 00 270	Caliper Adjusting Gear - R	2
346 01 701	Gear Slot	2
346 00 284	Adjusting Mechanism Clutch System - R	1
346 01 708	Spring Retainer Thrust - R	1
346 01 705	Spring Retainer	1
346 01 706	Lever Pin	1
346 01 707	Bracket	1
346 00 631	Caliper Lever - R	1
346 01 684	Half Bearing	2
346 01 682	Roller Bearing	2
346 01 683	Caliper Lever Bearing	2
346 00 638	Gasket	1
346 01 541	Grease - 5 g	1

346 01 276/1 Caliper Complete Repair Set - R Without Chrome Plated Pins

DX 175

MERITOR

DX



Truckexpert Nr	Description	OEM Nr	Application
----------------	-------------	--------	-------------

346 00 592

Caliper Boot Repair Kit

DX175



346 02 139	Pin Boot	2
346 02 138	Tappet Boot	2

Truckexpert Nr	Description	OEM Nr	Application
----------------	-------------	--------	-------------

346 01 277

Caliper Pin Repair Kit

DX175



346 02 132	Caliper Pin - Ø 28 / 96 mm	1
346 02 133	Caliper Pin - Ø 28 / 96 mm	1
346 02 134	Pin Bolt - M14 x 1.5 / 70 mm	1
346 02 135	Pin Bolt - M14 x 1.5 / 50 mm	1
346 02 136	Pin Bush - Ø 28 x 32 / 24.80 mm	4
346 02 137	Pin Cap Ø 37 / 25 mm	2
346 01 541	Grease - 5 g	1

346 01 277 Caliper Pin Repair Kit Without Chrome Plated Pins

Truckexpert Nr	Description	OEM Nr	Application
----------------	-------------	--------	-------------

346 01 278

Caliper Boot & Pin Bolt Repair Kit

MCK1191

DX175



346 02 134	Pin Bolt - M14 x 1.5 / 70 mm	1
346 02 135	Pin Bolt - M14 x 1.5 / 50 mm	1
346 02 137	Pin Cap Ø 37 / 25 mm	2
346 02 139	Pin Boot	2
346 02 138	Tappet Boot	2

Truckexpert Nr	Description	OEM Nr	Application
346 01 280	Caliper Pad Retainer		DX175




Truckexpert Nr	Description	OEM Nr	Application
346 01 279	Caliper Boot & Bolt Repair Kit		DX175



346 02 139	Pin Boot	2
346 02 138	Tappet Boot	2
346 02 137	Pin Cap Ø 37 / 25 mm	2
346 02 140	Tappet Bolt - M8 x 1.25 / 20 mm	2
346 02 141	Caliper End Plate Bolt	2
346 02 142	Caliper End Plate Bolt	4
346 02 143	Caliper Cover Plate Bolt	2
346 02 145	Plug Bolt	1
346 01 714	Washer	1

Truckexpert Nr	Description	OEM Nr	Application
346 00 596	Caliper Boot & Pin Repair Kit	MCK1170	DX175



346 01 714	Washer	1
346 02 132	Caliper Pin - Ø 28 / 96 mm	1
346 02 133	Caliper Pin - Ø 28 / 96 mm	1
346 02 134	Pin Bolt - M14 x 1.5 / 70 mm	1
346 02 135	Pin Bolt - M14 x 1.5 / 50 mm	1
346 02 136	Pin Bush - Ø 28 x 32 / 24.80 mm	4
346 02 137	Pin Cap Ø 37 / 25 mm	2
346 02 138	Tappet Boot	2
346 02 139	Pin Boot	2
346 02 140	Tappet Bolt - M8 x 1.25 / 20 mm	2
346 02 141	End Plate Bolt - M10 x 1.5 / 20 mm	2
346 02 142	End Plate Bolt - M10 x 1.5 / 25 mm	4
346 02 143	Cover Plate Bolt - M8 x 1.25 / 16 mm	2
346 02 144	Cover Plate Gasket	1
346 02 145	Plug Bolt	1
346 01 541	Grease - 5 g	1

Truckexpert Nr	Description	OEM Nr	Application
----------------	-------------	--------	-------------

346 01 283

Caliper Eccentric Shaft Set

DX175



346 02 150	Caliper Eccentric Shaft	1
346 02 151	Caliper Needle Bearing	2

Truckexpert Nr	Description	OEM Nr	Application
----------------	-------------	--------	-------------

346 01 282

Caliper Cover Plate Set

DX175



346 02 147	Caliper Cover Plate	1
346 02 146	Caliper Cover Plate Seal	1
346 02 144	Gasket	1
346 02 143	Caliper Cover Plate Bolt	2

Truckexpert Nr	Description	OEM Nr	Application
----------------	-------------	--------	-------------

346 01 281


Caliper Shaft & Cover Repair Kit


DX175



346 01 714	Washer	1
346 02 145	Plug Bolt	1
346 02 144	Gasket	1
346 02 143	Caliper Cover Plate Bolt	2
346 02 147	Caliper Cover Plate	1
346 02 146	Caliper Cover Plate Seal	1
346 02 148	Caliper Eccentric Shaft Needle Bearing	1
346 02 149	Caliper Dust Cover	1
346 02 150	Caliper Eccentric Shaft	1

Truckexpert Nr	Description	OEM Nr	Application
346 01 287	Caliper Needle Bearing Set		DX175
			
		346 02 151 Caliper Needle Bearing	2

Truckexpert Nr	Description	OEM Nr	Application
346 01 286	Caliper Dust Cover Set		DX175
			
		346 02 149 Caliper Dust Cover	5

Truckexpert Nr	Description	OEM Nr	Application
346 01 285	Caliper Cover Plate Seal Set		DX175
			
		346 02 146 Caliper Cover Plate Seal	5

Truckexpert Nr	Description	OEM Nr	Application									
346 01 284	Caliper Bearing Set		DX175									
												
<table border="0"> <tr> <td>346 02 151</td> <td>Caliper Needle Bearing</td> <td>2</td> </tr> <tr> <td>346 02 148</td> <td>Caliper Eccentric Shaft Needle Bearing</td> <td>1</td> </tr> <tr> <td>346 02 152</td> <td>Caliper Shaft Housing Bearing</td> <td>1</td> </tr> </table>		346 02 151	Caliper Needle Bearing	2	346 02 148	Caliper Eccentric Shaft Needle Bearing	1	346 02 152	Caliper Shaft Housing Bearing	1		
346 02 151	Caliper Needle Bearing	2										
346 02 148	Caliper Eccentric Shaft Needle Bearing	1										
346 02 152	Caliper Shaft Housing Bearing	1										

Truckexpert Nr	Description	OEM Nr	Application
----------------	-------------	--------	-------------

346 01 288

Caliper Mechanism Central Fork & Pignon

DX175



346 02 153	Caliper Mechanism Central Fork	1
346 02 154	Caliper Mechanism Pignon	1

Truckexpert Nr	Description	OEM Nr	Application
----------------	-------------	--------	-------------

346 01 289

Caliper Shaft Housing

DX175



Truckexpert Nr	Description	OEM Nr	Application
----------------	-------------	--------	-------------

346 01 290

Caliper Plate Repair Kit - L

DX175



346 02 140	Tappet Bolt - M8 x 1.25 / 20 mm	2
346 02 155	Caliper Plate	1
346 02 156	Caliper Calibration Bolt - L	2

Truckexpert Nr	Description	OEM Nr	Application
----------------	-------------	--------	-------------

346 01 291


Caliper Plate Repair Kit - R

DX175

346 02 140	Tappet Bolt - M8 x 1.25 / 20 mm	2
346 02 155	Caliper Plate	1
346 02 157	Calibration Bolt - R	2




Truckexpert Nr	Description	OEM Nr	Application
346 01 292	Caliper Piston & Pignon Repair Set - L		DX175



346 02 158	Piston - L	2
346 02 159	Pignon	2

Truckexpert Nr	Description	OEM Nr	Application
346 01 293	Caliper Piston & Pignon Repair Set - R		DX175



346 02 159	Pignon	2
346 02 160	Piston - R	2

Truckexpert Nr	Description	OEM Nr	Application
346 01 294	Caliper Shaft Housing & Piston Set - L		DX175



346 01 289	Caliper Shaft Housing	1
346 02 158	Piston - L	2
346 02 159	Pignon	2
346 02 153	Caliper Mechanism Central Fork	1
346 02 154	Caliper Mechanism Pignon	1

Truckexpert Nr	Description	OEM Nr	Application
346 01 295	Caliper Shaft Housing & Piston Set - R		DX175



346 01 289	Caliper Shaft Housing	1
346 02 160	Piston - R	2
346 02 159	Pignon	2
346 02 153	Caliper Mechanism Central Fork	1
346 02 154	Caliper Mechanism Pignon	1

Truckexpert Nr	Description	OEM Nr	Application
----------------	-------------	--------	-------------

346 01 296

Caliper Repair Kit- L

DX175



346 01 289	Caliper Shaft Housing	1
346 02 158	Piston - L	2
346 02 159	Pignon	2
346 02 153	Caliper Mechanism Central Fork	1
346 02 154	Caliper Mechanism Pignon	1
346 02 155	Caliper Plate	1
346 02 156	Caliper Calibration Bolt - L	2
346 02 140	Tappet Bolt - M8 x 1.25 / 20 mm	2

Truckexpert Nr	Description	OEM Nr	Application
----------------	-------------	--------	-------------

346 01 297

Caliper Repair Kit- R

DX175



346 01 289	Caliper Shaft Housing	1
346 02 160	Piston - R	2
346 02 159	Pignon	2
346 02 153	Caliper Mechanism Central Fork	1
346 02 154	Caliper Mechanism Pignon	1
346 02 155	Caliper Plate	1
346 02 157	Calibration Bolt - R	2
346 02 140	Tappet Bolt - M8 x 1.25 / 20 mm	2

Truckexpert Nr	Description	OEM Nr	Application
----------------	-------------	--------	-------------

346 01 298

Caliper Repair Kit- L

DX175



346 01 289	Caliper Shaft Housing	1
346 02 158	Piston - L	2
346 02 159	Pignon	2
346 02 161	Wavy Washer	2
346 02 162	Ring	2
346 02 155	Caliper Plate	1
346 02 156	Caliper Calibration Bolt - L	2
346 02 140	Tappet Bolt - M8 x 1.25 / 20 mm	2
346 02 138	Caliper Tappet Boot	2
346 02 163	Caliper End Plate Cap	1

Truckexpert Nr	Description	OEM Nr	Application
----------------	-------------	--------	-------------

346 01 299

Caliper Repair Kit- R

DX175



346 01 289	Caliper Shaft Housing	1
346 02 160	Piston - R	2
346 02 159	Pignon	2
346 02 161	Wavy Washer	2
346 02 162	Ring	2
346 02 155	Caliper Plate	1
346 02 157	Calibration Bolt - R	2
346 02 140	Tappet Bolt - M8 x 1.25 / 20 mm	2
346 02 138	Caliper Tappet Boot	2
346 02 163	Caliper End Plate Cap	1

Truckexpert Nr	Description	OEM Nr	Application
346 01 318	Caliper Mechanism Repair Kit- L		DX175



346 02 164	Adjusting Mechanism - L	1
346 01 721	Pignon	1
346 01 722	Spring	1
346 02 161	Wavy Washer	2
346 02 162	Ring	2
346 01 725	Seal	2

Truckexpert Nr	Description	OEM Nr	Application
346 01 319	Caliper Mechanism Repair Kit- R		DX175



346 02 165	Adjusting Mechanism - R	1
346 01 721	Pignon	1
346 01 722	Spring	1
346 02 161	Wavy Washer	2
346 02 162	Ring	2
346 01 725	Seal	2

Truckexpert Nr	Description	OEM Nr	Application
346 01 320	Caliper Mechanism Repair Kit- L		DX175



346 02 164	Adjusting Mechanism - L	1
346 01 721	Pignon	1
346 01 722	Spring	1
346 02 161	Wavy Washer	2
346 02 162	Ring	2
346 01 725	Seal	2
346 02 153	Caliper Mechanism Central Fork	1
346 02 154	Caliper Mechanism Pignon	1
346 02 142	Caliper End Plate Bolt	6
346 02 141	Caliper End Plate Bolt	2
346 02 145	Plug Bolt	1
346 01 714	Washer	1

Truckexpert Nr	Description	OEM Nr	Application
346 01 321	Caliper Mechanism Repair Kit- R		DX175



346 02 165	Adjusting Mechanism - R	1
346 01 721	Pignon	1
346 01 722	Spring	1
346 02 161	Wavy Washer	2
346 02 162	Ring	2
346 01 725	Seal	2
346 02 153	Caliper Mechanism Central Fork	1
346 02 154	Caliper Mechanism Pignon	1
346 02 142	Caliper End Plate Bolt	6
346 02 141	Caliper End Plate Bolt	2
346 02 145	Plug Bolt	1
346 01 714	Washer	1

Truckexpert Nr	Description	OEM Nr	Application
346 01 322	Caliper Complete Repair Set - L		DX175



346 01 714	Washer	1
346 02 132	Caliper Pin	1
346 02 133	Caliper Pin	1
346 02 134	Caliper Pin Bolt	1
346 02 135	Caliper Pin Bolt	1
346 02 136	Caliper Pin Bush	4
346 02 137	Caliper Pin Cap	2
346 02 138	Caliper Tappet Boot	2
346 02 139	Caliper Pin Boot	2
346 02 140	Tappet Bolt - M8 x 1.25 / 20 mm	2
346 02 141	Caliper End Plate Bolt	2
346 02 142	Caliper End Plate Bolt	4
346 02 143	Caliper Cover Plate Bolt	2
346 02 144	Gasket	1
346 02 145	Plug Bolt	1
346 01 289	Caliper Shaft Housing	1
346 02 158	Piston - L	2
346 02 159	Pignon	2
346 02 153	Caliper Mechanism Central Fork	1
346 02 154	Caliper Mechanism Pignon	1
346 02 164	Adjusting Mechanism - L	1
346 01 721	Pignon	1
346 01 722	Spring	1
346 02 161	Wavy Washer	2
346 02 162	Ring	2
346 01 725	Seal	2
346 02 155	Caliper Plate	1
346 02 156	Caliper Calibration Bolt - L	2
346 02 150	Caliper Eccentric Shaft	1
346 02 151	Caliper Needle Bearing	1
346 02 148	Caliper Eccentric Shaft Needle Bearing	1
346 02 147	Caliper Cover Plate	1
346 02 146	Caliper Cover Plate Seal	1
346 02 149	Caliper Dust Cover	1
346 02 163	Caliper End Plate Cap	1
346 01 280	Caliper Pad Retainer	1
346 01 541	Grease - 5 g	1

346 01 322/1 Caliper Complete Repair Set - L Without Chrome Plated Pins

MERITOR
DX 175

Truckexpert Nr	Description	OEM Nr	Application
346 01 323	Caliper Complete Repair Set - R		DX175



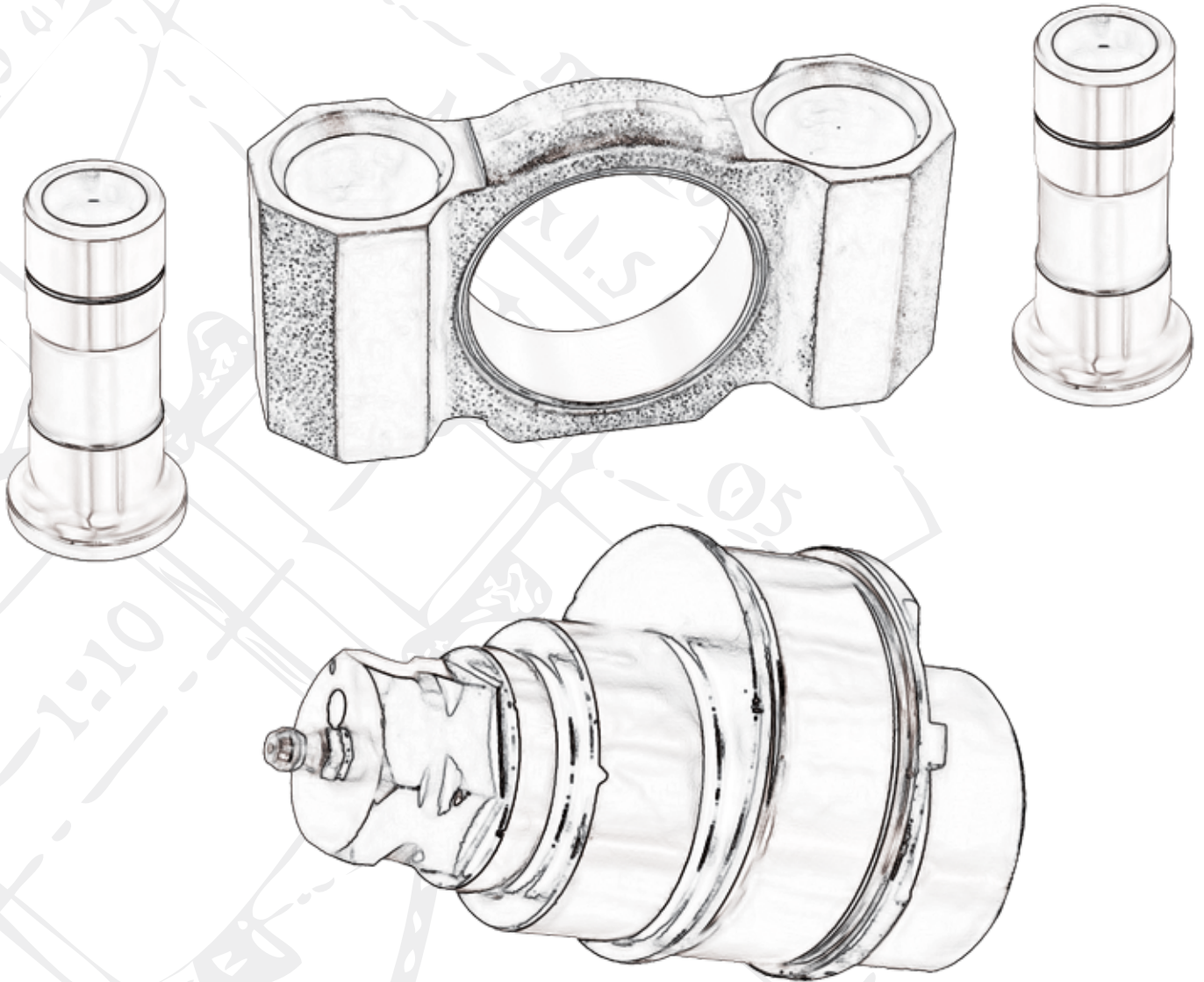
346 01 714	Washer	1
346 02 132	Caliper Pin	1
346 02 133	Caliper Pin	1
346 02 134	Caliper Pin Bolt	1
346 02 135	Caliper Pin Bolt	1
346 02 136	Caliper Pin Bush	4
346 02 137	Caliper Pin Cap	2
346 02 138	Caliper Tappet Boot	2
346 02 139	Caliper Pin Boot	2
346 02 140	Tappet Bolt - M8 x 1.25 / 20 mm	2
346 02 141	Caliper End Plate Bolt	2
346 02 142	Caliper End Plate Bolt	4
346 02 143	Caliper Cover Plate Bolt	2
346 02 144	Gasket	1
346 02 145	Plug Bolt	1
346 01 289	Caliper Shaft Housing	1
346 02 160	Piston - R	2
346 02 159	Pignion	2
346 02 153	Caliper Mechanism Central Fork	1
346 02 154	Caliper Mechanism Pignion	1
346 02 165	Adjusting Mechanism - R	1
346 01 721	Pignion	1
346 01 722	Spring	1
346 02 161	Wavy Washer	2
346 02 162	Ring	2
346 01 725	Seal	2
346 02 155	Caliper Plate	1
346 02 157	Calibration Bolt - R	2
346 02 150	Caliper Eccentric Shaft	1
346 02 151	Caliper Needle Bearing	1
346 02 148	Caliper Eccentric Shaft Needle Bearing	1
346 02 147	Caliper Cover Plate	1
346 02 146	Caliper Cover Plate Seal	1
346 02 149	Caliper Dust Cover	1
346 02 163	Caliper End Plate Cap	1
346 01 280	Caliper Pad Retainer	1
346 01 541	Grease - 5 g	1

346 01 323/1 Caliper Complete Repair Set - R Without Chrome Plated Pins

DX 195

MERITOR

DX 195




Truckexpert Nr	Description	OEM Nr	Application
346 00 590	Caliper Boot & Bolt Repair Kit		DX195



346 00 810	Tappet Bolt - M10 X 1.5 / 20 mm	2
346 00 811	End Plate Bolt - M12 X 1.75 / 30 mm	4
346 00 812	End Plate Bolt - M12 X 1.75 / 20 mm	2
346 00 891	Pin Cap - Ø 42 / 28 mm	2
346 00 915	Pin Boot	2
346 00 917	Tappet Boot Seal	2
346 00 918	Tappet Boot	2

Truckexpert Nr	Description	OEM Nr	Application
346 00 443	Caliper Boot & Pin Repair Kit	MCK1171	DX195



346 00 805	Pin Bolt - M16 X 1.5 / 55 mm	1
346 00 810	Tappet Bolt - M10 X 1.5 / 20 mm	2
346 00 811	End Plate Bolt - M12 X 1.75 / 30 mm	4
346 00 812	End Plate Bolt - M12 X 1.75 / 20 mm	2
346 00 843	Caliper Pin - Ø 32 / 97-37 mm	1
346 00 844	Caliper Pin - Ø 32 / 97-62 mm	1
346 00 880	Pin Bush - Ø 32 X 36 / 55 mm	2
346 00 891	Pin Cap - Ø 42 / 28 mm	2
346 00 915	Pin Boot	2
346 00 917	Tappet Boot Seal	2
346 00 918	Tappet Boot	2
346 01 541	Grease - 5 g	1
346 00 803	Pin Bolt - M16 X 1.5 / 80 mm	1
346 01 710	Cover Plate Bolt - M8 X 1.25 / 20 mm	2
346 01 713	Plug Bolt	1
346 01 714	Washer	1
346 01 716	Split Cotter Pin Small	1
346 01 718	Pin Small	1
346 01 944	Gasket ,Calipper	1

346 00 443/1 Caliper Boot & Pin Repair Kit Without Chrome Plated Pins

Truckexpert Nr	Description	OEM Nr	Application
346 00 322	Caliper Guide & Seals Repair Kit		DX195



346 00 805	Pin Bolt - M16 X 1.5 / 55 mm	1
346 00 810	Tappet Bolt - M10 X 1.5 / 20 mm	2
346 00 811	End Plate Bolt - M12 X 1.75 / 30 mm	4
346 00 812	End Plate Bolt - M12 X 1.75 / 20 mm	2
346 00 843	Caliper Pin - Ø 32 / 97-37 mm	1
346 00 844	Caliper Pin - Ø 32 / 97-62 mm	1
346 00 880	Pin Bush - Ø 32 X 36 / 55 mm	2
346 00 891	Pin Cap - Ø 42 / 28 mm	2
346 00 915	Pin Boot	2
346 01 710	Cover Plate Bolt - M8 X 1.25 / 20 mm	2
346 00 918	Tappet Boot	2
346 01 541	Grease - 5 g	1
346 00 803	Pin Bolt - M16 X 1.5 / 80 mm	1
346 01 711	Cover Plate Gasket	1
346 01 712	Dust Cover	1
346 01 713	Plug Bolt	1
346 01 714	Washer	1

346 00 322/1 Caliper Guide & Seals Repair Kit Without Chrome Plated Pins

Truckexpert Nr	Description	OEM Nr	Application
----------------	-------------	--------	-------------

346 00 591

Caliper Boot Repair Kit

DX195



346 00 915	Pin Boot	2
346 00 917	Tappet Boot Seal	2
346 00 918	Tappet Boot	2

Truckexpert Nr	Description	OEM Nr	Application
----------------	-------------	--------	-------------

346 01 941

Caliper Pin Repair Kit

DX195



346 00 805	Pin Bolt - M16 X 1.5 / 55 mm	1
346 00 891	Pin Cap - Ø 42 / 28 mm	2
346 00 843	Caliper Pin - Ø 32 / 97-37 mm	2
346 00 844	Caliper Pin - Ø 32 / 97-62 mm	2
346 00 803	Pin Bolt - M16 x 1.5 / 80 mm	2
346 00 880	Pin Bush - Ø 32 x 36 / 55 mm	1
346 01 541	Grease - 5 g	

346 01 941/1 Caliper Pin Repair Kit Without Chrome Plated Pins

Truckexpert Nr	Description	OEM Nr	Application
----------------	-------------	--------	-------------

346 00 323


Caliper Boot & Pin Bolt Repair Kit

MCK1192


DX195



346 00 805	Pin Bolt - M16 X 1.5 / 55 mm	1
346 00 891	Pin Cap - Ø 42 / 28 mm	2
346 00 915	Pin Boot	2
346 00 917	Tappet Boot Seal	2
346 00 918	Tappet Boot	2
346 00 803	Pin Bolt - M16 x 1.5 / 80 mm	1

Truckexpert Nr	Description	OEM Nr	Application
346 01 056	Caliper Lever	MCK1160	DX195
			

Truckexpert Nr	Description	OEM Nr	Application
346 01 324	Caliper Lever	MCK1161	DX195
			

Truckexpert Nr	Description	OEM Nr	Application
346 00 300	Caliper Pad Retainer		DX195
			

Truckexpert Nr	Description	OEM Nr	Application
346 00 590	Caliper Boot & Bolt Repair Kit		DX195
			
346 00 810	Tappet Bolt - M10 X 1.5 / 20 mm		2
346 00 811	End Plate Bolt - M12 X 1.75 / 30 mm		4
346 00 812	End Plate Bolt - M12 X 1.75 / 20 mm		2
346 00 891	Pin Cap - Ø 42 / 28 mm		2
346 00 915	Pin Boot		2
346 00 917	Tappet Boot Seal		2
346 00 918	Tappet Boot		2
346 01 710	Cover Plate Bolt - M8 X 1.25 / 20 mm		2
346 01 713	Plug Bolt		1
346 01 714	Washer		1

Truckexpert Nr	Description	OEM Nr	Application
346 01 325	Caliper Pad Spring Set	MBA100	DX195



Truckexpert Nr	Description	OEM Nr	Application
346 00 598	Caliper Shaft		DX195



Truckexpert Nr	Description	OEM Nr	Application
346 01 057	Caliper Shaft & Cover Repair Kit	MCK1294	DX195




346 00 598	Caliper Shaft	1
346 02 166	Bevel Washer	1
346 01 733	Seal	1
346 01 712	Dust Cover	1
346 00 599	Caliper Roller Bearings	1
346 01 732	Cover Plate	1
346 01 734	Cover Plate Seal	1
346 01 710	Cover Plate Bolt - M8 x 1.25 / 20 mm	2
346 01 711	Cover Plate Gasket	1
346 01 713	Plug Bolt	1
346 01 714	Washer	1

Truckexpert Nr	Description	OEM Nr	Application
346 00 450	Caliper Shaft Fittings Repair Kit		DX195



346 00 598	Caliper Eccentric Shaft	1
346 00 599	Caliper Eccentric Shaft Roller Bearing	1
346 01 710	Cover Plate Bolt - M8 X 1.25 / 20 mm	2
346 01 711	Cover Plate Gasket	1
346 01 713	Plug Bolt	1
346 01 714	Washer	1
346 01 732	Cover Plate	1

Truckexpert Nr	Description	OEM Nr	Application												
346 01 314	Caliper Cover Plate Set		DX195												
															
		<table border="1"> <tbody> <tr> <td>346 01 732</td> <td>Cover Plate</td> <td>1</td> </tr> <tr> <td>346 01 734</td> <td>Cover Plate Seal</td> <td>1</td> </tr> <tr> <td>346 01 711</td> <td>Cover Plate Gasket</td> <td>1</td> </tr> <tr> <td>346 01 710</td> <td>Cover Plate Bolt - M8 x 1.25 / 20 mm</td> <td>2</td> </tr> </tbody> </table>	346 01 732	Cover Plate	1	346 01 734	Cover Plate Seal	1	346 01 711	Cover Plate Gasket	1	346 01 710	Cover Plate Bolt - M8 x 1.25 / 20 mm	2	
346 01 732	Cover Plate	1													
346 01 734	Cover Plate Seal	1													
346 01 711	Cover Plate Gasket	1													
346 01 710	Cover Plate Bolt - M8 x 1.25 / 20 mm	2													

Truckexpert Nr	Description	OEM Nr	Application									
346 00 771	Caliper Shaft & Roller Bearings		DX195									
												
		<table border="1"> <tbody> <tr> <td>346 00 598</td> <td>Caliper Eccentric Shaft</td> <td>1</td> </tr> <tr> <td>346 00 599</td> <td>Caliper Eccentric Shaft Roller Bearing</td> <td>1</td> </tr> <tr> <td>346 00 600</td> <td>Roler Bearing</td> <td>2</td> </tr> </tbody> </table>	346 00 598	Caliper Eccentric Shaft	1	346 00 599	Caliper Eccentric Shaft Roller Bearing	1	346 00 600	Roler Bearing	2	
346 00 598	Caliper Eccentric Shaft	1										
346 00 599	Caliper Eccentric Shaft Roller Bearing	1										
346 00 600	Roler Bearing	2										

Truckexpert Nr	Description	OEM Nr	Application									
346 01 311	Caliper Eccentric Shaft Set		DX195									
												
		<table border="1"> <tbody> <tr> <td>346 00 598</td> <td>Caliper Shaft</td> <td>1</td> </tr> <tr> <td>346 00 600</td> <td>Caliper Roller Bearings</td> <td>2</td> </tr> <tr> <td>346 01 733</td> <td>Seal</td> <td>1</td> </tr> </tbody> </table>	346 00 598	Caliper Shaft	1	346 00 600	Caliper Roller Bearings	2	346 01 733	Seal	1	
346 00 598	Caliper Shaft	1										
346 00 600	Caliper Roller Bearings	2										
346 01 733	Seal	1										

Truckexpert Nr	Description	OEM Nr	Application
346 00 599	Caliper Roller Bearings		DX195



Truckexpert Nr	Description	OEM Nr	Application
346 00 601	Caliper Bearing Set	MCK1344	DX195

346 00 599	Caliper Eccentric Shaft Roller Bearing	1
346 00 600	Roler Bearing	2
346 01 935	Shaft Housing Bearing	1



Truckexpert Nr	Description	OEM Nr	Application
346 01 327	Caliper Cover Plate Seal Set		DX195



346 01 734	Cover Plate Seal	5
-------------------	------------------	---

Truckexpert Nr	Description	OEM Nr	Application
346 01 326	Caliper Dust Cover Set		DX195



346 01 712	Dust Cover	5
-------------------	------------	---

Truckexpert Nr	Description	OEM Nr	Application
346 00 600	Caliper Roller Bearings		DX195



Truckexpert Nr	Description	OEM Nr	Application
346 01 328	Caliper Needle Bearing Set		DX195



346 00 600	Caliper Roller Bearings	2
------------	-------------------------	---

Truckexpert Nr	Description	OEM Nr	Application
346 00 618	Caliper Mechanism Central Fork & Pignon		DX195



346 01 727	Caliper Central Fork	1
346 01 728	Caliper Pignon	1

Truckexpert Nr	Description	OEM Nr	Application
346 00 615	Caliper Shaft Housing		DX195



Truckexpert Nr	Description	OEM Nr	Application
346 00 605	Caliper Plate Repair Kit - L		DX195



346 01 735	Caliper Plate	1
346 01 736	Caliper Calibration Bolt - L	2
346 01 737	Piston Screw	2

Truckexpert Nr	Description	OEM Nr	Application
346 00 604	Caliper Plate Repair Kit - R		DX195



346 01 735	Caliper Plate	1
346 01 737	Piston Screw	2
346 01 738	Caliper Calibration Bolt - R	2

Truckexpert Nr	Description	OEM Nr	Application						
346 00 617	Caliper Piston & Pignon Repair Set - L		DX195						
									
		<table border="1"> <tr> <td>346 01 729</td> <td>Caliper Piston - L</td> <td>2</td> </tr> <tr> <td>346 01 730</td> <td>Caliper Pignon</td> <td>2</td> </tr> </table>	346 01 729	Caliper Piston - L	2	346 01 730	Caliper Pignon	2	
346 01 729	Caliper Piston - L	2							
346 01 730	Caliper Pignon	2							

Truckexpert Nr	Description	OEM Nr	Application						
346 00 616	Caliper Piston & Pignon Repair Set - R		DX195						
									
		<table border="1"> <tr> <td>346 01 730</td> <td>Caliper Pignon</td> <td>2</td> </tr> <tr> <td>346 01 731</td> <td>Caliper Piston - R</td> <td>2</td> </tr> </table>	346 01 730	Caliper Pignon	2	346 01 731	Caliper Piston - R	2	
346 01 730	Caliper Pignon	2							
346 01 731	Caliper Piston - R	2							

Truckexpert Nr	Description	OEM Nr	Application															
346 00 445	Caliper Shaft Housing & Piston Set - L	DSB6L	DX195															
																		
		<table border="1"> <tr> <td>346 00 615</td> <td>Caliper Bridge & inner Bearing</td> <td>1</td> </tr> <tr> <td>346 01 727</td> <td>Caliper Central Fork</td> <td>1</td> </tr> <tr> <td>346 01 728</td> <td>Caliper Pignon</td> <td>1</td> </tr> <tr> <td>346 01 729</td> <td>Caliper Piston - L</td> <td>2</td> </tr> <tr> <td>346 01 730</td> <td>Caliper Pignon</td> <td>2</td> </tr> </table>	346 00 615	Caliper Bridge & inner Bearing	1	346 01 727	Caliper Central Fork	1	346 01 728	Caliper Pignon	1	346 01 729	Caliper Piston - L	2	346 01 730	Caliper Pignon	2	
346 00 615	Caliper Bridge & inner Bearing	1																
346 01 727	Caliper Central Fork	1																
346 01 728	Caliper Pignon	1																
346 01 729	Caliper Piston - L	2																
346 01 730	Caliper Pignon	2																

Truckexpert Nr	Description	OEM Nr	Application															
346 00 444	Caliper Shaft Housing & Piston Set - R	DSB6R	DX195															
																		
		<table border="1"> <tr> <td>346 00 615</td> <td>Caliper Bridge & inner Bearing</td> <td>1</td> </tr> <tr> <td>346 01 727</td> <td>Caliper Central Fork</td> <td>1</td> </tr> <tr> <td>346 01 728</td> <td>Caliper Pignon</td> <td>1</td> </tr> <tr> <td>346 01 730</td> <td>Caliper Piston</td> <td>2</td> </tr> <tr> <td>346 01 731</td> <td>Caliper Piston - R</td> <td>2</td> </tr> </table>	346 00 615	Caliper Bridge & inner Bearing	1	346 01 727	Caliper Central Fork	1	346 01 728	Caliper Pignon	1	346 01 730	Caliper Piston	2	346 01 731	Caliper Piston - R	2	
346 00 615	Caliper Bridge & inner Bearing	1																
346 01 727	Caliper Central Fork	1																
346 01 728	Caliper Pignon	1																
346 01 730	Caliper Piston	2																
346 01 731	Caliper Piston - R	2																

Truckexpert Nr	Description	OEM Nr	Application
----------------	-------------	--------	-------------

346 00 452

Caliper Repair Kit - L

DX195



346 00 615	Caliper Bridge & inner Bearing	1
346 01 727	Caliper Central Fork	1
346 01 728	Caliper Pignon	1
346 01 729	Caliper Piston - L	2
346 01 730	Caliper Pignon	2
346 01 735	Caliper Plate	1
346 01 736	Caliper Calibration Bolt - L	2
346 01 737	Piston Screw	2

Truckexpert Nr	Description	OEM Nr	Application
----------------	-------------	--------	-------------

346 00 451

Caliper Repair Kit - R

DX195



346 00 615	Caliper Bridge & inner Bearing	1
346 01 727	Caliper Central Fork	1
346 01 728	Caliper Pignon	1
346 01 730	Caliper Pignon	2
346 01 731	Caliper Piston - R	2
346 01 735	Caliper Plate	1
346 01 737	Piston Screw	2
346 01 738	Caliper Calibration Bolt - R	2

Truckexpert Nr	Description	OEM Nr	Application
346 01 329	Caliper Repair Kit - L	MCK1292	DX195



346 00 615	Caliper Shaft Housing	1
346 01 729	Caliper Piston - L	2
346 01 730	Caliper Pignon	2
346 01 735	Caliper Plate	1
346 01 736	Caliper Calibration Bolt - L	2
346 00 810	Tappet Bolt - M10 x 1.5 / 20 mm	2
346 00 918	Tappet Boot	2
346 00 917	Tappet Boot Seal	2
346 02 163	Caliper End Plate Cap	1

Truckexpert Nr	Description	OEM Nr	Application
346 01 330	Caliper Repair Kit - R	MCK1293	DX195



346 00 615	Caliper Shaft Housing	1
346 01 731	Caliper Piston - R	2
346 01 730	Caliper Pignon	2
346 01 735	Caliper Plate	1
346 01 738	Caliper Calibration Bolt - R	2
346 00 810	Tappet Bolt - M10 x 1.5 / 20 mm	2
346 00 918	Tappet Boot	2
346 00 917	Tappet Boot Seal	2
346 02 163	Caliper End Plate Cap	1

Truckexpert Nr	Description	OEM Nr	Application
346 00 447	Caliper Mechanism Repair Kit - L	DSB5L	DX195



346 01 720	Adjusting Mechanism - L	1
346 01 721	Pignon	1
346 01 722	Spring	1
346 01 723	Wavy Washer	2
346 01 724	Circlip	2
346 01 725	Seal	2

Truckexpert Nr	Description	OEM Nr	Application
346 00 446	Caliper Mechanism Repair Kit - R	DSB5R	DX195



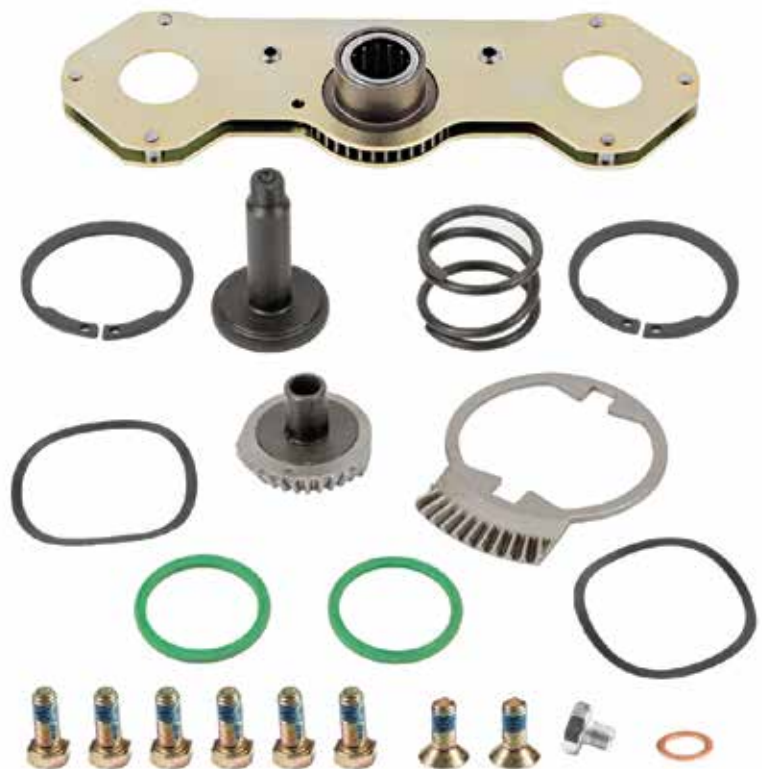
346 01 721	Pignon	1
346 01 722	Spring	1
346 01 723	Wavy Washer	2
346 01 724	Circlip	2
346 01 725	Seal	2
346 01 726	Adjusting Mechanism - R	1

Truckexpert Nr	Description	OEM Nr	Application
346 00 449	Caliper Mechanism Repair Kit - L	MCK1290	DX195



346 01 720	Adjusting Mechanism - L	1
346 01 721	Pignon	1
346 01 722	Spring	1
346 01 723	Wavy Washer	2
346 01 724	Circlip	2
346 01 725	Seal	2
346 01 727	Caliper Central Fork	1
346 01 728	Caliper Pignon	1
346 00 811	End Plate Bolt - M12 x 1.75 / 30 mm	6
346 00 812	End Plate Bolt - M12 x 1.75 / 20 mm	2
346 01 713	Plug Bolt	1
346 01 714	Washer	1

Truckexpert Nr	Description	OEM Nr	Application
346 00 448	Caliper Mechanism Repair Kit - R	MCK1291	DX195



346 01 726	Adjusting Mechanism - R	1
346 01 721	Pignon	1
346 01 722	Spring	1
346 01 723	Wavy Washer	2
346 01 724	Circlip	2
346 01 725	Seal	2
346 01 727	Caliper Central Fork	1
346 01 728	Caliper Pignon	1
346 00 811	End Plate Bolt - M12 x 1.75 / 30 mm	6
346 00 812	End Plate Bolt - M12 x 1.75 / 20 mm	2
346 01 713	Plug Bolt	1
346 01 714	Washer	1

Truckexpert Nr
346 01 315

Description
Caliper Complete Repair Set - L

OEM Nr

Application
DX195



346 00 843	Caliper Pin - Ø 32 / 97-37 mm	1	346 01 728	Caliper Pignon	1
346 00 844	Caliper Pin - Ø 32 / 97-62 mm	1	346 01 720	Adjusting Mechanism - L	1
346 00 803	Pin Bolt - M16 x 1.5 / 80 mm	1	346 01 721	Pignon	1
346 00 805	Pin Bolt - M16 x 1.5 / 55 mm	1	346 01 722	Spring	1
346 00 880	Pin Bush - Ø 32 x 36 / 55 mm	2	346 01 723	Wavy Washer	2
346 00 891	Pin Cap - Ø 42 / 28 mm	2	346 01 724	Circlip	2
346 00 915	Pin Boot	2	346 01 725	Seal	2
346 00 918	Tappet Boot	2	346 01 735	Caliper Plate	1
346 00 917	Tappet Boot Seal	2	346 01 736	Caliper Calibration Bolt - L	2
346 00 810	Tappet Bolt - M10 x 1.5 / 20 mm	2	346 00 598	Caliper Shaft	1
346 00 812	End Plate Bolt - M12 x 1.75 / 20 mm	2	346 00 600	Caliper Roller Bearings	1
346 00 811	End Plate Bolt - M12 x 1.75 / 30 mm	4	346 01 733	Seal	1
346 01 710	Cover Plate Bolt - M8 x 1.25 / 20 mm	2	346 00 599	Caliper Roller Bearings	1
346 01 711	Cover Plate Gasket	1	346 02 166	Bevel Washer	1
346 01 713	Plug Bolt	1	346 01 732	Cover Plate	1
346 01 714	Washer	1	346 01 734	Cover Plate Seal	1
346 01 718	Pin Small	1	346 01 712	Dust Cover	1
346 01 716	Split Cotter Pin Small	1	346 02 163	Caliper End Plate Cap	1
346 00 615	Caliper Shaft Housing	1	346 01 324	Caliper Lever	1
346 01 729	Caliper Piston - L	2	346 00 300	Caliper Pad Retainer	1
346 01 730	Caliper Pignon	2	346 01 541	Grease - 5 g	1
346 01 727	Caliper Central Fork	1			

346 01 315/1 Caliper Complete Repair Set - L Without Chrome Plated Pins

Truckexpert Nr	Description	OEM Nr	Application
346 01 316	Caliper Complete Repair Set - R		DX195




346 00 843	Caliper Pin - Ø 32 / 97-37 mm	1	346 01 728	Caliper Pignon	1
346 00 844	Caliper Pin - Ø 32 / 97-62 mm	1	346 01 726	Adjusting Mechanism - R	1
346 00 803	Pin Bolt - M16 x 1.5 / 80 mm	1	346 01 721	Pignon	1
346 00 805	Pin Bolt - M16 x 1.5 / 55 mm	1	346 01 722	Spring	1
346 00 880	Pin Bush - Ø 32 x 36 / 55 mm	2	346 01 723	Wavy Washer	2
346 00 891	Pin Cap - Ø 42 / 28 mm	2	346 01 724	Circlip	2
346 00 915	Pin Boot	2	346 01 725	Seal	2
346 00 918	Tappet Boot	2	346 01 735	Caliper Plate	1
346 00 917	Tappet Boot Seal	2	346 01 738	Caliper Calibration Bolt - R	2
346 00 810	Tappet Bolt - M10 x 1.5 / 20 mm	2	346 00 598	Caliper Shaft	1
346 00 812	End Plate Bolt - M12 x 1.75 / 20 mm	2	346 00 600	Caliper Roller Bearings	1
346 00 811	End Plate Bolt - M12 x 1.75 / 30 mm	4	346 01 733	Seal	1
346 01 710	Cover Plate Bolt - M8 x 1.25 / 20 mm	2	346 00 599	Caliper Roller Bearings	1
346 01 711	Cover Plate Gasket	1	346 02 166	Bevel Washer	1
346 01 713	Plug Bolt	1	346 01 732	Cover Plate	1
346 01 714	Washer	1	346 01 734	Cover Plate Seal	1
346 01 718	Pin Small	1	346 01 712	Dust Cover	1
346 01 716	Split Cotter Pin Small	1	346 02 163	Caliper End Plate Cap	1
346 00 615	Caliper Shaft Housing	1	346 01 324	Caliper Lever	1
346 01 731	Caliper Piston - R	2	346 00 300	Caliper Pad Retainer	1
346 01 730	Caliper Pignon	2	346 01 541	Grease - 5 g	1
346 01 727	Caliper Central Fork	1			

346 01 316/1 Caliper Complete Repair Set - R Without Chrome Plated Pins

Truckexpert Nr	Description	OEM Nr	Application
346 00 593	Caliper Boot Repair Kit		DX225
			
		346 02 175	Pin Boot 2
		346 02 176	Tappet Boot 2
		346 02 177	Tappet Boot Seal 2

Truckexpert Nr	Description	OEM Nr	Application
346 00 597	Caliper Guide & Seals Repair Kit		DX225
			
346 02 169	Caliper Long Pin - Ø 35 / 98 mm	1	
346 02 170	Caliper Short Pin - Ø 35 / 98 mm	1	
346 02 171	Pin Bolt Long - M18 x 2.5 / 90 mm	1	
346 02 172	Pin Bolt Short - M18 x 2.5 / 55 mm	1	
346 02 174	Pin Cap - Ø42 / 31 mm	2	
346 02 175	Pin Boot	2	
346 02 176	Tappet Boot	1	
346 02 177	Tappet Boot Seal	2	
346 00 810	Tappet Bolt - M10 x 1.5 / 20 mm	2	
346 00 812	End Plate Bolt - M12 x 1.75 / 20 mm	2	
346 00 811	End Plate Bolt - M12 x 1.75 / 30 mm	4	
346 01 710	Cover Plate Bolt - M8 x 1.25 / 20 mm	2	
346 01 711	Cover Plate Gasket	1	
346 01 541	Grease - 5 g	1	

346 00 597/1 Caliper Guide & Seals Repair Kit Without Chrome Plated Pins

Truckexpert Nr	Description	OEM Nr	Application
346 01 331	Caliper Boot & Pin Repair Kit	MCK1172	DX225
			
346 02 169	Caliper Long Pin - Ø 35 / 98 mm	1	
346 02 170	Caliper Short Pin - Ø 35 / 98 mm	1	
346 02 171	Pin Bolt Long - M18 x 2.5 / 90 mm	1	
346 02 172	Pin Bolt Short - M18 x 2.5 / 55 mm	1	
346 02 173	Pin Bush - Ø35 x 39 / 50 mm	2	
346 02 174	Pin Cap - Ø42 / 31 mm	2	
346 02 175	Pin Boot	2	
346 02 176	Tappet Boot	1	
346 02 177	Tappet Boot Seal	2	
346 00 810	Tappet Bolt - M10 x 1.5 / 20 mm	2	
346 00 812	End Plate Bolt - M12 x 1.75 / 20 mm	2	
346 00 811	End Plate Bolt - M12 x 1.75 / 30 mm	4	
346 01 710	Cover Plate Bolt - M8 x 1.25 / 20 mm	2	
346 01 711	Cover Plate Gasket	1	
346 01 713	Plug Bolt	1	
346 01 714	Washer	1	
346 01 718	Pin Small	1	
346 01 716	Split Cotter Pin Small	1	
346 01 541	Grease - 5 g	1	

346 01 331/1 Caliper Boot & Pin Repair Kit Without Chrome Plated Pins

Truckexpert Nr	Description	OEM Nr	Application
346 01 332	Caliper Pin Repair Kit		DX225




346 02 169	Caliper Long Pin - Ø 35 / 98 mm	1
346 02 170	Caliper Short Pin - Ø 35 / 98 mm	1
346 02 171	Pin Bolt Long - M18 x 2.5 / 90 mm	1
346 02 172	Pin Bolt Short - M18 x 2.5 / 55 mm	1
346 02 173	Pin Bush - Ø35 x 39 / 50 mm	2
346 02 174	Pin Cap - Ø42 / 31 mm	2
346 01 541	Grease - 5 g	1

Truckexpert Nr	Description	OEM Nr	Application
346 01 333	Caliper Boot & Pin Bolt Repair Kit	MCK1193	DX225



346 02 171	Pin Bolt Long - M18 x 2.5 / 90 mm	1
346 02 172	Pin Bolt Short - M18 x 2.5 / 55 mm	1
346 02 174	Pin Cap - Ø42 / 31 mm	2
346 02 175	Pin Boot	2
346 02 176	Tappet Boot	2
346 02 177	Tappet Boot Seal	2

Truckexpert Nr	Description	OEM Nr	Application
346 01 056	Caliper Lever	MCK1160	DX225



Truckexpert Nr	Description	OEM Nr	Application
346 01 324	Caliper Lever	MCK1161	DX225



Truckexpert Nr	Description	OEM Nr	Application
346 01 334	Caliper Boot & Bolt Repair Kit		DX225



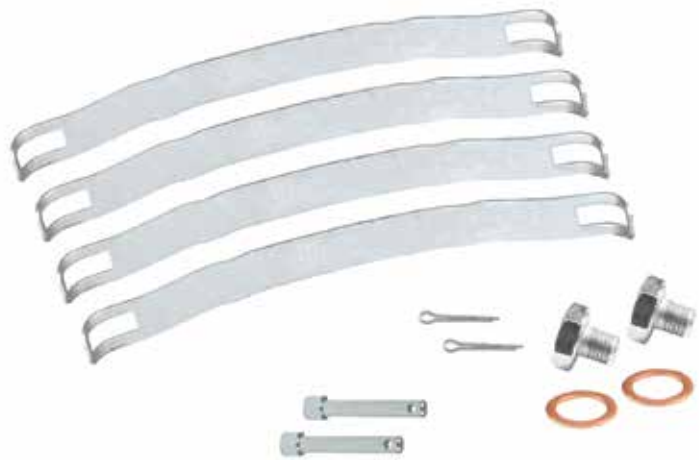
346 02 175	Pin Boot	2
346 02 176	Tappet Boot	2
346 02 177	Tappet Boot Seal	2
346 02 174	Pin Cap - Ø42 / 31 mm	2
346 00 810	Tappet Bolt - M10 x 1.5 / 20 mm	2
346 00 812	End Plate Bolt - M12 x 1.75 / 20 mm	2
346 00 811	End Plate Bolt - M12 x 1.75 / 30 mm	4
346 01 710	Cover Plate Bolt - M8 x 1.25 / 20 mm	2



Truckexpert Nr	Description	OEM Nr	Application
346 00 975	Caliper Pad Retainer		DX225



Truckexpert Nr	Description	OEM Nr	Application
346 01 325	Caliper Pad Spring Set	MBA100	DX225




Truckexpert Nr	Description	OEM Nr	Application
346 01 057	Caliper Shaft & Cover Repair Kit	MCK1294	DX225




346 00 598	Caliper Shaft	1
346 02 166	Bevel Washer	1
346 01 733	Seal	1
346 01 712	Dust Cover	1
346 00 599	Caliper Roller Bearings	1
346 01 732	Cover Plate	1
346 01 734	Cover Plate Seal	1
346 01 710	Cover Plate Bolt - M8 x 1.25 / 20 mm	2
346 01 711	Cover Plate Gasket	1
346 01 713	Plug Bolt	1
346 01 714	Washer	1


Truckexpert Nr	Description	OEM Nr	Application												
346 01 314	Caliper Cover Plate Set		DX225												
															
		<table border="1"> <tbody> <tr> <td>346 01 732</td> <td>Cover Plate</td> <td>1</td> </tr> <tr> <td>346 01 734</td> <td>Cover Plate Seal</td> <td>1</td> </tr> <tr> <td>346 01 711</td> <td>Cover Plate Gasket</td> <td>1</td> </tr> <tr> <td>346 01 710</td> <td>Cover Plate Bolt - M8 x 1.25 / 20 mm</td> <td>2</td> </tr> </tbody> </table>	346 01 732	Cover Plate	1	346 01 734	Cover Plate Seal	1	346 01 711	Cover Plate Gasket	1	346 01 710	Cover Plate Bolt - M8 x 1.25 / 20 mm	2	
346 01 732	Cover Plate	1													
346 01 734	Cover Plate Seal	1													
346 01 711	Cover Plate Gasket	1													
346 01 710	Cover Plate Bolt - M8 x 1.25 / 20 mm	2													

Truckexpert Nr	Description	OEM Nr	Application									
346 01 311	Caliper Eccentric Shaft Set		DX225									
												
		<table border="1"> <tbody> <tr> <td>346 00 598</td> <td>Caliper Shaft</td> <td>1</td> </tr> <tr> <td>346 00 600</td> <td>Caliper Roller Bearings</td> <td>2</td> </tr> <tr> <td>346 01 733</td> <td>Seal</td> <td>1</td> </tr> </tbody> </table>	346 00 598	Caliper Shaft	1	346 00 600	Caliper Roller Bearings	2	346 01 733	Seal	1	
346 00 598	Caliper Shaft	1										
346 00 600	Caliper Roller Bearings	2										
346 01 733	Seal	1										

Truckexpert Nr	Description	OEM Nr	Application									
346 00 601	Caliper Bearing Set	MCK1344	DX225									
												
		<table border="1"> <tbody> <tr> <td>346 00 599</td> <td>Caliper Eccentric Shaft Roller Bearing</td> <td>1</td> </tr> <tr> <td>346 00 600</td> <td>Roler Bearing</td> <td>2</td> </tr> <tr> <td>346 01 935</td> <td>Shaft Housing Bearing</td> <td>1</td> </tr> </tbody> </table>	346 00 599	Caliper Eccentric Shaft Roller Bearing	1	346 00 600	Roler Bearing	2	346 01 935	Shaft Housing Bearing	1	
346 00 599	Caliper Eccentric Shaft Roller Bearing	1										
346 00 600	Roler Bearing	2										
346 01 935	Shaft Housing Bearing	1										

Truckexpert Nr	Description	OEM Nr	Application
346 01 327	Caliper Cover Plate Seal Set		DX225
			
		346 01 734 Cover Plate Seal	5

Truckexpert Nr	Description	OEM Nr	Application
346 01 326	Caliper Dust Cover Set		DX225
			
		346 01 712 Dust Cover	5

Truckexpert Nr	Description	OEM Nr	Application
346 01 328	Caliper Needle Bearing Set		DX225
			
		346 00 600 Caliper Roller Bearings	2

Truckexpert Nr	Description	OEM Nr	Application
346 00 618	Caliper Mechanism Central Fork & Pignon		DX225
			
346 01 727	Caliper Central Fork		1
346 01 728	Caliper Pignon		1

Truckexpert Nr	Description	OEM Nr	Application
346 01 335	Caliper Shaft Housing		DX225



Truckexpert Nr	Description	OEM Nr	Application
346 00 607	Caliper Plate Repair Kit - L		DX225



346 02 179	Plate	1
346 01 736	Caliper Calibration Bolt - L	2
346 00 810	Tappet Bolt - M10 x 1.5 / 20 mm	2

Truckexpert Nr	Description	OEM Nr	Application
346 00 606	Caliper Plate Repair Kit - R		DX225



346 02 179	Plate	1
346 01 738	Caliper Calibration Bolt - R	2
346 00 810	Tappet Bolt - M10 x 1.5 / 20 mm	2

Truckexpert Nr	Description	OEM Nr	Application
346 01 336	Caliper Piston & Pignon Repair Set - L		DX225



346 02 180	Piston - L	2
346 01 730	Caliper Pignon	2

Truckexpert Nr	Description	OEM Nr	Application
346 01 337	Caliper Piston & Pignon Repair Set - R		DX225



346 02 181	Piston - R	2
346 01 730	Caliper Pignon	2

Truckexpert Nr	Description	OEM Nr	Application
346 01 338	Caliper Shaft Housing & Piston Set - L		DX225



346 01 335	Caliper Shaft Housing	1
346 02 180	Piston - L	2
346 01 730	Caliper Pignon	2
346 01 727	Caliper Central Fork	1
346 01 728	Caliper Pignon	1

Truckexpert Nr	Description	OEM Nr	Application
346 01 339	Caliper Shaft Housing & Piston Set - R		DX225



346 01 335	Caliper Shaft Housing	1
346 02 181	Piston - R	2
346 01 730	Caliper Pignon	2
346 01 727	Caliper Central Fork	1
346 01 728	Caliper Pignon	1

Truckexpert Nr	Description	OEM Nr	Application
346 01 340	Caliper Repair Kit - L		DX225



346 01 335	Caliper Shaft Housing	1
346 02 180	Piston - L	2
346 01 730	Caliper Pignon	2
346 01 727	Caliper Central Fork	1
346 01 728	Caliper Pignon	1
346 02 179	Plate	1
346 01 736	Caliper Calibration Bolt - L	2
346 00 810	Tappet Bolt - M10 x 1.5 / 20 mm	2

Truckexpert Nr	Description	OEM Nr	Application
346 01 341	Caliper Repair Kit - R		DX225



346 01 335	Caliper Shaft Housing	1
346 02 181	Piston - R	2
346 01 730	Caliper Pignon	2
346 01 727	Caliper Central Fork	1
346 01 728	Caliper Pignon	1
346 02 179	Plate	1
346 01 738	Caliper Calibration Bolt - R	2
346 00 810	Tappet Bolt - M10 x 1.5 / 20 mm	2

Truckexpert Nr	Description	OEM Nr	Application
----------------	-------------	--------	-------------

346 01 342

Caliper Repair Kit - L

DX225



346 01 335	Caliper Shaft Housing	1
346 02 180	Piston - L	2
346 01 730	Caliper Pignon	2
346 02 179	Plate	1
346 01 736	Caliper Calibration Bolt - L	2
346 00 810	Tappet Bolt - M10 x 1.5 / 20 mm	2
346 02 176	Tappet Boot	2
346 02 177	Tappet Boot Seal	2
346 02 163	Caliper End Plate Cap	1

Truckexpert Nr	Description	OEM Nr	Application
----------------	-------------	--------	-------------

346 01 343

Caliper Repair Kit - R

DX225



346 01 335	Caliper Shaft Housing	1
346 02 181	Piston - R	2
346 01 730	Caliper Pignon	2
346 02 179	Plate	1
346 01 738	Caliper Calibration Bolt - R	2
346 00 810	Tappet Bolt - M10 x 1.5 / 20 mm	2
346 02 176	Tappet Boot	2
346 02 177	Tappet Boot Seal	2
346 02 163	Caliper End Plate Cap	1

Truckexpert Nr	Description	OEM Nr	Application
346 01 344	Caliper Mechanism Repair Kit - L		DX225



346 02 182	Caliper Adjusting Mechanism - L	1
346 01 721	Pignon	1
346 01 722	Spring	1
346 01 723	Wavy Washer	2
346 01 724	Circlip	2
346 01 725	Seal	2

Truckexpert Nr	Description	OEM Nr	Application
346 01 345	Caliper Mechanism Repair Kit - R		DX225



346 02 183	Caliper Adjusting Mechanism - R	1
346 01 721	Pignon	1
346 01 722	Spring	1
346 01 723	Wavy Washer	2
346 01 724	Circlip	2
346 01 725	Seal	2

Truckexpert Nr	Description	OEM Nr	Application
----------------	-------------	--------	-------------

346 01 346

Caliper Mechanism Repair Kit - L

DX225



346 02 182	Caliper Adjusting Mechanism - L	1
346 01 721	Pignon	1
346 01 722	Spring	1
346 01 723	Wavy Washer	2
346 01 724	Circlip	2
346 01 725	Seal	2
346 01 727	Caliper Central Fork	1
346 01 728	Caliper Pignon	1
346 00 811	End Plate Bolt - M12 x 1.75 / 30 mm	6
346 00 812	End Plate Bolt - M12 x 1.75 / 20 mm	2
346 01 713	Plug Bolt	1
346 01 714	Washer	1

Truckexpert Nr	Description	OEM Nr	Application
----------------	-------------	--------	-------------

346 01 347

Caliper Mechanism Repair Kit - R

DX225



346 02 183	Caliper Adjusting Mechanism - R	1
346 01 721	Pignon	1
346 01 722	Spring	1
346 01 723	Wavy Washer	2
346 01 724	Circlip	2
346 01 725	Seal	2
346 01 727	Caliper Central Fork	1
346 01 728	Caliper Pignon	1
346 00 811	End Plate Bolt - M12 x 1.75 / 30 mm	6
346 00 812	End Plate Bolt - M12 x 1.75 / 20 mm	2
346 01 713	Plug Bolt	1
346 01 714	Washer	1

Truckexpert Nr	Description	OEM Nr	Application
346 01 254	Caliper Complete Repair Set - L		DX225



346 02 169	Caliper Long Pin - Ø 35 / 98 mm	1	346 01 727	Caliper Central Fork	1
346 02 170	Caliper Short Pin - Ø 35 / 98 mm	1	346 01 728	Caliper Pignon	1
346 02 171	Pin Bolt Long - M18 x 2.5 / 90 mm	1	346 02 182	Caliper Adjusting Mechanism - L	1
346 02 172	Pin Bolt Short - M18 x 2.5 / 55 mm	1	346 01 721	Pignon	1
346 02 173	Pin Bush - Ø35 x 39 / 50 mm	2	346 01 722	Spring	1
346 02 174	Pin Cap - Ø42 / 31 mm	2	346 01 723	Wavy Washer	2
346 02 175	Pin Boot	2	346 01 724	Circlip	2
346 02 176	Tappet Boot	1	346 01 725	Seal	2
346 02 177	Tappet Boot Seal	2	346 02 179	Plate	1
346 00 810	Tappet Bolt - M10 x 1.5 / 20 mm	2	346 01 736	Caliper Calibration Bolt - L	2
346 00 812	End Plate Bolt - M12 x 1.75 / 20 mm	2	346 00 598	Caliper Shaft	1
346 00 811	End Plate Bolt - M12 x 1.75 / 30 mm	4	346 00 600	Caliper Roller Bearings	1
346 01 710	Cover Plate Bolt - M8 x 1.25 / 20 mm	2	346 01 733	Seal	1
346 01 711	Cover Plate Gasket	1	346 00 599	Caliper Roller Bearings	1
346 01 713	Plug Bolt	1	346 02 166	Bevel Washer	1
346 01 714	Washer	1	346 01 732	Cover Plate	1
346 01 718	Pin Small	1	346 01 734	Cover Plate Seal	1
346 01 716	Split Cotter Pin Small	1	346 01 712	Dust Cover	1
346 01 541	Grease - 5 g	1	346 02 163	Caliper End Plate Cap	1
346 01 335	Caliper Shaft Housing	1	346 01 324	Caliper Lever	1
346 02 180	Piston - L	2	346 00 300	Caliper Pad Retainer	1
346 01 730	Caliper Pignon	2	346 01 541	Grease - 5 g	1

346 01 254/1 Caliper Complete Repair Set - L Without Chrome Plated Pins

Truckexpert Nr	Description	OEM Nr	Application
346 01 255	Caliper Complete Repair Set - R		DX225

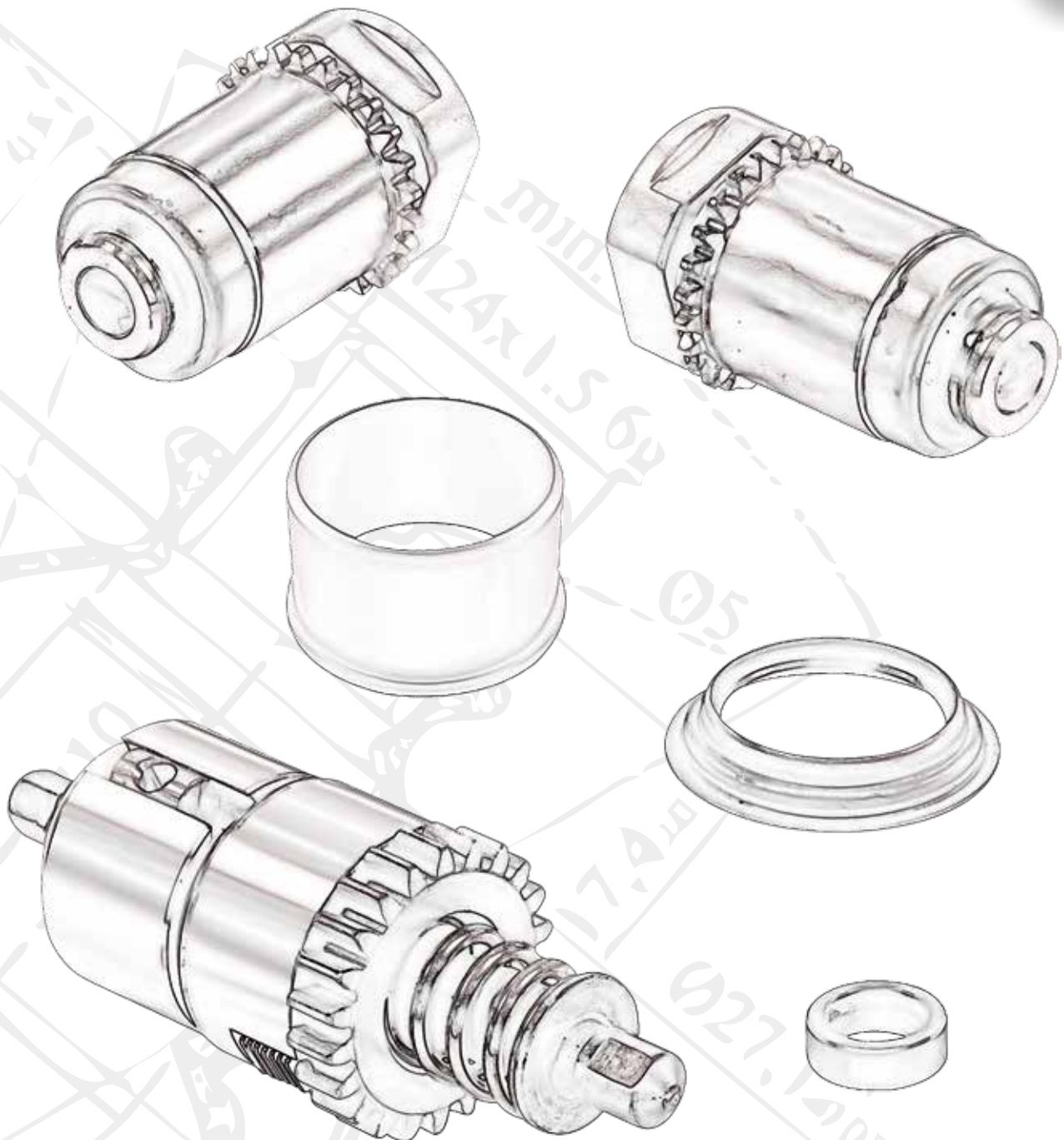


346 02 169	Caliper Long Pin - Ø 35 / 98 mm	1	346 01 728	Caliper Pignon	1
346 02 170	Caliper Short Pin - Ø 35 / 98 mm	1	346 02 183	Caliper Adjusting Mechanism - R	1
346 02 171	Pin Bolt Long - M18 x 2.5 / 90 mm	1	346 01 721	Pignon	1
346 02 172	Pin Bolt Short - M18 x 2.5 / 55 mm	1	346 01 722	Spring	1
346 02 173	Pin Bush - Ø35 x 39 / 50 mm	2	346 01 723	Wavy Washer	2
346 02 174	Pin Cap - Ø42 / 31 mm	2	346 01 724	Circlip	2
346 02 175	Pin Boot	2	346 01 725	Seal	2
346 02 176	Tappet Boot	1	346 02 179	Plate	1
346 02 177	Tappet Boot Seal	2	346 01 738	Caliper Calibration Bolt - R	2
346 00 810	Tappet Bolt - M10 x 1.5 / 20 mm	2	346 00 598	Caliper Shaft	1
346 00 812	End Plate Bolt - M12 x 1.75 / 20 mm	2	346 00 600	Caliper Roller Bearings	1
346 00 811	End Plate Bolt - M12 x 1.75 / 30 mm	4	346 01 733	Seal	1
346 01 710	Cover Plate Bolt - M8 x 1.25 / 20 mm	2	346 00 599	Caliper Roller Bearings	1
346 01 711	Cover Plate Gasket	1	346 02 166	Bevel Washer	1
346 01 713	Plug Bolt	1	346 01 732	Cover Plate	1
346 01 714	Washer	1	346 01 734	Cover Plate Seal	1
346 01 718	Pin Small	1	346 01 712	Dust Cover	1
346 01 716	Split Cotter Pin Small	1	346 02 163	Caliper End Plate Cap	1
346 01 335	Caliper Shaft Housing	1	346 01 324	Caliper Lever	1
346 02 181	Piston - R	2	346 00 300	Caliper Pad Retainer	1
346 01 730	Caliper Pignon	2	346 01 541	Grease - 5 g	1
346 01 727	Caliper Central Fork	1			

346 01 255/1 Caliper Complete Repair Set - R Without Chrome Plated Pins

MERITOR
DX 225

DUCO



MERITOR

DUCO

MERITOR
DUCO

Truckexpert Nr	Description	OEM Nr	Application
----------------	-------------	--------	-------------

346 00 456

Caliper Pin Repair Kit

**MCK1134
SJ4094**

**B DUCO
C DUCO
LE DUCO
D DUCO AXIAL**



346 00 338	Caliper Pin - Ø 35 / 102 mm	1
346 00 350	Pin Bolt - M20 X 2 / 125 mm	1
346 00 351	Pin Bolt - M20 X 2 / 80 mm	1
346 00 354	Pin Boot	2
346 00 842	Caliper Pin - Ø 35 / 60 mm	1
346 00 876	Oval Bush - Ø 35-36 X 39 / 30 mm	1
346 00 892	Pin Cap - Ø 40 / 18.5 mm	2
346 01 541	Grease - 5 g	1
346 01 740	Ring - Ø 37 X 40 / 11 mm	2
346 01 741	Round Bush - Ø 35-36.5 X 39 / 38 mm	2

346 00 456/1 Caliper Pin Repair Kit Without Chrome Plated Pins

Truckexpert Nr	Description	OEM Nr	Application
----------------	-------------	--------	-------------

346 00 324

Caliper Pin Repair Kit

MCK1116

**B DUCO
C DUCO
LE DUCO
D DUCO AXIAL**



346 00 338	Caliper Pin - Ø 35 / 102 mm	1
346 00 350	Pin Bolt - M20 X 2 / 125 mm	1
346 00 351	Pin Bolt - M20 X 2 / 80 mm	1
346 00 354	Pin Boot	2
346 00 842	Caliper Pin - Ø 35 / 60 mm	1
346 00 876	Oval Bush - Ø 35-36 X 39 / 30 mm	1
346 00 892	Pin Cap - Ø 40 / 18.5 mm	2
346 01 541	Grease - 5 g	1
346 01 739	Long Pin Fiber Bush - Ø 35 X 39 / 77 mm	1
346 01 740	Ring - Ø 37 X 40 / 11 mm	2

346 00 324/1 Caliper Pin Repair Kit Without Chrome Plated Pins

Truckexpert Nr	Description	OEM Nr	Application																														
346 00 324/2	Caliper Pin Repair Kit		B DUCO C DUCO LE DUCO D DUCO AXIAL																														
																																	
			<table border="1"> <tbody> <tr> <td>346 00 338</td> <td>Caliper Pin - Ø 35 / 102 mm</td> <td>1</td> </tr> <tr> <td>346 00 842</td> <td>Caliper Pin - Ø 35 / 60 mm</td> <td>1</td> </tr> <tr> <td>346 00 350</td> <td>Pin Bolt - M20 x 2 / 125 mm</td> <td>1</td> </tr> <tr> <td>346 00 351</td> <td>Pin Bolt - M20 x 2 / 80 mm</td> <td>1</td> </tr> <tr> <td>346 02 201</td> <td>Round Bush - Ø 35 x 40 / 77 mm</td> <td>1</td> </tr> <tr> <td>346 00 876</td> <td>Oval Bush - Ø 35-36 x 39 / 30 mm</td> <td>1</td> </tr> <tr> <td>346 01 740</td> <td>Ring - Ø 37 x 40 / 11 mm</td> <td>2</td> </tr> <tr> <td>346 00 892</td> <td>Pin Cap - Ø 40 / 18.5 mm</td> <td>2</td> </tr> <tr> <td>346 00 354</td> <td>Pin Boot</td> <td>2</td> </tr> <tr> <td>346 01 541</td> <td>Grease - 5 g</td> <td>1</td> </tr> </tbody> </table>	346 00 338	Caliper Pin - Ø 35 / 102 mm	1	346 00 842	Caliper Pin - Ø 35 / 60 mm	1	346 00 350	Pin Bolt - M20 x 2 / 125 mm	1	346 00 351	Pin Bolt - M20 x 2 / 80 mm	1	346 02 201	Round Bush - Ø 35 x 40 / 77 mm	1	346 00 876	Oval Bush - Ø 35-36 x 39 / 30 mm	1	346 01 740	Ring - Ø 37 x 40 / 11 mm	2	346 00 892	Pin Cap - Ø 40 / 18.5 mm	2	346 00 354	Pin Boot	2	346 01 541	Grease - 5 g	1
346 00 338	Caliper Pin - Ø 35 / 102 mm	1																															
346 00 842	Caliper Pin - Ø 35 / 60 mm	1																															
346 00 350	Pin Bolt - M20 x 2 / 125 mm	1																															
346 00 351	Pin Bolt - M20 x 2 / 80 mm	1																															
346 02 201	Round Bush - Ø 35 x 40 / 77 mm	1																															
346 00 876	Oval Bush - Ø 35-36 x 39 / 30 mm	1																															
346 01 740	Ring - Ø 37 x 40 / 11 mm	2																															
346 00 892	Pin Cap - Ø 40 / 18.5 mm	2																															
346 00 354	Pin Boot	2																															
346 01 541	Grease - 5 g	1																															
346 00 324/2/1 Caliper Pin Repair Kit Without Chrome Plated Pins																																	

Truckexpert Nr	Description	OEM Nr	Application															
346 00 457	Caliper Pin Repair Kit	MCK1299	B DUCO C DUCO LE DUCO D DUCO AXIAL															
																		
			<table border="1"> <tbody> <tr> <td>346 00 338</td> <td>Caliper Pin - Ø 35 / 102 mm</td> <td>1</td> </tr> <tr> <td>346 00 350</td> <td>Pin Bolt - M20 X 2 / 125 mm</td> <td>2</td> </tr> <tr> <td>346 00 351</td> <td>Pin Bolt - M20 X 2 / 80 mm</td> <td>1</td> </tr> <tr> <td>346 00 354</td> <td>Pin Boot</td> <td>2</td> </tr> <tr> <td>346 00 892</td> <td>Pin Cap - Ø 40 / 18.5 mm</td> <td>2</td> </tr> </tbody> </table>	346 00 338	Caliper Pin - Ø 35 / 102 mm	1	346 00 350	Pin Bolt - M20 X 2 / 125 mm	2	346 00 351	Pin Bolt - M20 X 2 / 80 mm	1	346 00 354	Pin Boot	2	346 00 892	Pin Cap - Ø 40 / 18.5 mm	2
346 00 338	Caliper Pin - Ø 35 / 102 mm	1																
346 00 350	Pin Bolt - M20 X 2 / 125 mm	2																
346 00 351	Pin Bolt - M20 X 2 / 80 mm	1																
346 00 354	Pin Boot	2																
346 00 892	Pin Cap - Ø 40 / 18.5 mm	2																
346 00 457/1 Caliper Pin Repair Kit Without Chrome Plated Pins																		



DUCO

MERITOR
DUCO

Truckexpert Nr	Description	OEM Nr	Application																																				
346 00 458	Caliper Pin Repair Kit		B DUCO C DUCO LE DUCO D DUCO AXIAL																																				
																																							
			<table border="1"> <tbody> <tr><td>346 00 338</td><td>Caliper Pin - Ø 35 / 102 mm</td><td>1</td></tr> <tr><td>346 00 350</td><td>Pin Bolt - M20 X 2 / 125 mm</td><td>1</td></tr> <tr><td>346 00 351</td><td>Pin Bolt - M20 X 2 / 80 mm</td><td>1</td></tr> <tr><td>346 00 354</td><td>Pin Boot</td><td>2</td></tr> <tr><td>346 00 842</td><td>Caliper Pin - Ø 35 / 60 mm</td><td>1</td></tr> <tr><td>346 00 876</td><td>Oval Bush - Ø 35-36 X 39 / 30 mm</td><td>1</td></tr> <tr><td>346 00 892</td><td>Pin Cap - Ø 40 / 18.5 mm</td><td>2</td></tr> <tr><td>346 01 541</td><td>Grease - 5 g</td><td>2</td></tr> <tr><td>346 01 739</td><td>Plastic Bush - Ø 35 X 39 / 77 mm</td><td>1</td></tr> <tr><td>346 01 740</td><td>Ring - Ø 37 X 40 / 11 mm</td><td>2</td></tr> <tr><td>346 01 741</td><td>Round Bush - Ø 35-36.5 X 39 / 38 mm</td><td>2</td></tr> <tr><td>346 01 742</td><td>Ring - Ø 37.3 X 39 / 11.30 mm</td><td>2</td></tr> </tbody> </table>	346 00 338	Caliper Pin - Ø 35 / 102 mm	1	346 00 350	Pin Bolt - M20 X 2 / 125 mm	1	346 00 351	Pin Bolt - M20 X 2 / 80 mm	1	346 00 354	Pin Boot	2	346 00 842	Caliper Pin - Ø 35 / 60 mm	1	346 00 876	Oval Bush - Ø 35-36 X 39 / 30 mm	1	346 00 892	Pin Cap - Ø 40 / 18.5 mm	2	346 01 541	Grease - 5 g	2	346 01 739	Plastic Bush - Ø 35 X 39 / 77 mm	1	346 01 740	Ring - Ø 37 X 40 / 11 mm	2	346 01 741	Round Bush - Ø 35-36.5 X 39 / 38 mm	2	346 01 742	Ring - Ø 37.3 X 39 / 11.30 mm	2
346 00 338	Caliper Pin - Ø 35 / 102 mm	1																																					
346 00 350	Pin Bolt - M20 X 2 / 125 mm	1																																					
346 00 351	Pin Bolt - M20 X 2 / 80 mm	1																																					
346 00 354	Pin Boot	2																																					
346 00 842	Caliper Pin - Ø 35 / 60 mm	1																																					
346 00 876	Oval Bush - Ø 35-36 X 39 / 30 mm	1																																					
346 00 892	Pin Cap - Ø 40 / 18.5 mm	2																																					
346 01 541	Grease - 5 g	2																																					
346 01 739	Plastic Bush - Ø 35 X 39 / 77 mm	1																																					
346 01 740	Ring - Ø 37 X 40 / 11 mm	2																																					
346 01 741	Round Bush - Ø 35-36.5 X 39 / 38 mm	2																																					
346 01 742	Ring - Ø 37.3 X 39 / 11.30 mm	2																																					
346 00 458/1 Caliper Pin Repair Kit Without Chrome Plated Pins																																							

Truckexpert Nr	Description	OEM Nr	Application									
346 00 318	Caliper Pin Repair Kit	MCK1065 MCK1066	B DUCO C DUCO LE DUCO D DUCO AXIAL D DUCO RADIAL									
												
			<table border="1"> <tbody> <tr><td>346 00 338</td><td>Caliper Pin - Ø 35 / 102 mm</td><td>1</td></tr> <tr><td>346 00 354</td><td>Pin Boot</td><td>2</td></tr> <tr><td>346 00 892</td><td>Pin Cap - Ø 40 / 18.5 mm</td><td>2</td></tr> </tbody> </table>	346 00 338	Caliper Pin - Ø 35 / 102 mm	1	346 00 354	Pin Boot	2	346 00 892	Pin Cap - Ø 40 / 18.5 mm	2
346 00 338	Caliper Pin - Ø 35 / 102 mm	1										
346 00 354	Pin Boot	2										
346 00 892	Pin Cap - Ø 40 / 18.5 mm	2										
346 00 318/1 Caliper Pin Repair Kit Without Chrome Plated Pins												

Truckexpert Nr	Description	OEM Nr	Application
346 01 258	Caliper Pin Boot Set		B DUCO C DUCO LE DUCO D DUCO AXIAL D DUCO RADIAL
			
		346 00 354 Pin Boot	2

Truckexpert Nr	Description	OEM Nr	Application
346 01 187	Caliper Pin Boot Ring Set		DUCO ALL MODEL
			
346 01 743 Pin Boot Ring - Ø 35.5 x 37.5 / 6 mm		10	

Truckexpert Nr	Description	OEM Nr	Application
346 00 660	Caliper Pin Repair Kit	MCK1135 SJ4107	D DUCO RADIAL
			
		346 00 338 Caliper Pin - Ø 35 / 102 mm	2
		346 00 350 Pin Bolt - M20 X 2 / 125 mm	2
		346 00 354 Pin Boot	2
		346 00 876 Oval Bush - Ø 35-36 X 39 / 30 mm	2
		346 00 892 Pin Cap - Ø 40 / 18.5 mm	2
		346 01 541 Grease - 5 g	1
		346 01 740 Ring - Ø 37 X 40 / 11 mm	2
		346 01 741 Round Bush - Ø 35-36.5 X 39 / 38 mm	2
346 00 660/1 Caliper Pin Repair Kit Without Chrome Plated Pins			

MERITOR
DUCO

Truckexpert Nr	Description	OEM Nr	Application
346 00 321	Caliper Pin Repair Kit	MCK1118	D DUCO RADIAL



346 00 338	Caliper Pin - Ø 35 / 102 mm	2
346 00 350	Pin Bolt - M20 X 2 / 125 mm	2
346 00 354	Pin Boot	2
346 00 876	Oval Bush - Ø 35-36 X 39 / 30 mm	2
346 00 892	Pin Cap - Ø 40 / 18.5 mm	2
346 01 541	Grease - 5 g	1
346 01 739	Plastic Bush - Ø 35 X 39 / 77 mm	1
346 01 740	Ring - Ø 37 X 40 / 11 mm	2

346 00 321/1 Caliper Pin Repair Kit Without Chrome Plated Pins

Truckexpert Nr	Description	OEM Nr	Application
346 00 321/2	Caliper Pin Repair Kit		D DUCO RADIAL



346 00 338	Caliper Pin - Ø 35 / 102 mm	2
346 00 350	Pin Bolt - M20 x 2 / 125 mm	2
346 02 201	Round Bush - Ø 35 x 40 / 77 mm	1
346 00 876	Oval Bush - Ø 35-36 x 39 / 30 mm	2
346 01 740	Ring - Ø 37 x 40 / 11 mm	2
346 00 892	Pin Cap - Ø 40 / 18.5 mm	2
346 00 354	Pin Boot	2
346 01 541	Grease - 5 g	1

346 00 321/2/1 Caliper Pin Repair Kit Without Chrome Plated Pins

Truckexpert Nr	Description	OEM Nr	Application																											
346 01 348	Caliper Boot & Pin Repair Kit		D DUCO RADIAL																											
																														
		<table border="1"> <tbody> <tr> <td>346 00 338</td> <td>Caliper Pin - Ø 35 / 102 mm</td> <td>2</td> </tr> <tr> <td>346 00 350</td> <td>Pin Bolt - M20 x 2 / 125 mm</td> <td>2</td> </tr> <tr> <td>346 02 201</td> <td>Round Bush - Ø 35 x 40 / 77 mm</td> <td>1</td> </tr> <tr> <td>346 00 876</td> <td>Oval Bush - Ø 35-36 x 39 / 30 mm</td> <td>2</td> </tr> <tr> <td>346 01 740</td> <td>Ring - Ø 37 x 40 / 11 mm</td> <td>2</td> </tr> <tr> <td>346 00 892</td> <td>Pin Cap - Ø 40 / 18.5 mm</td> <td>2</td> </tr> <tr> <td>346 00 354</td> <td>Pin Boot</td> <td>2</td> </tr> <tr> <td>346 00 357</td> <td>Tappet Boot</td> <td>2</td> </tr> <tr> <td>346 01 541</td> <td>Grease - 5 g</td> <td>1</td> </tr> </tbody> </table>	346 00 338	Caliper Pin - Ø 35 / 102 mm	2	346 00 350	Pin Bolt - M20 x 2 / 125 mm	2	346 02 201	Round Bush - Ø 35 x 40 / 77 mm	1	346 00 876	Oval Bush - Ø 35-36 x 39 / 30 mm	2	346 01 740	Ring - Ø 37 x 40 / 11 mm	2	346 00 892	Pin Cap - Ø 40 / 18.5 mm	2	346 00 354	Pin Boot	2	346 00 357	Tappet Boot	2	346 01 541	Grease - 5 g	1	
346 00 338	Caliper Pin - Ø 35 / 102 mm	2																												
346 00 350	Pin Bolt - M20 x 2 / 125 mm	2																												
346 02 201	Round Bush - Ø 35 x 40 / 77 mm	1																												
346 00 876	Oval Bush - Ø 35-36 x 39 / 30 mm	2																												
346 01 740	Ring - Ø 37 x 40 / 11 mm	2																												
346 00 892	Pin Cap - Ø 40 / 18.5 mm	2																												
346 00 354	Pin Boot	2																												
346 00 357	Tappet Boot	2																												
346 01 541	Grease - 5 g	1																												
346 01 348/1 Caliper Boot & Pin Repair Kit Without Chrome Plated Pins																														

Truckexpert Nr	Description	OEM Nr	Application																		
346 01 349	Caliper Boot & Pin Repair Kit		D DUCO RADIAL																		
																					
		<table border="1"> <tbody> <tr> <td>346 00 338</td> <td>Caliper Pin - Ø 35 / 102 mm</td> <td>2</td> </tr> <tr> <td>346 02 201</td> <td>Round Bush - Ø 35 x 40 / 77 mm</td> <td>1</td> </tr> <tr> <td>346 00 876</td> <td>Oval Bush - Ø 35-36 x 39 / 30 mm</td> <td>2</td> </tr> <tr> <td>346 00 357</td> <td>Tappet Boot</td> <td>2</td> </tr> <tr> <td>346 00 354</td> <td>Pin Boot</td> <td>2</td> </tr> <tr> <td>346 01 541</td> <td>Grease - 5 g</td> <td>1</td> </tr> </tbody> </table>	346 00 338	Caliper Pin - Ø 35 / 102 mm	2	346 02 201	Round Bush - Ø 35 x 40 / 77 mm	1	346 00 876	Oval Bush - Ø 35-36 x 39 / 30 mm	2	346 00 357	Tappet Boot	2	346 00 354	Pin Boot	2	346 01 541	Grease - 5 g	1	
346 00 338	Caliper Pin - Ø 35 / 102 mm	2																			
346 02 201	Round Bush - Ø 35 x 40 / 77 mm	1																			
346 00 876	Oval Bush - Ø 35-36 x 39 / 30 mm	2																			
346 00 357	Tappet Boot	2																			
346 00 354	Pin Boot	2																			
346 01 541	Grease - 5 g	1																			
346 01 349/1 Caliper Boot & Pin Repair Kit Without Chrome Plated Pins																					


MERITOR
DUCO

Truckexpert Nr	Description	OEM Nr	Application
346 00 466	Caliper Small Gear Mechanism - L	68322562	DUCO ALL MODEL
			

Truckexpert Nr	Description	OEM Nr	Application
346 00 465	Caliper Small Gear Mechanism - R	68322563	DUCO ALL MODEL
			

Truckexpert Nr	Description	OEM Nr	Application																
346 01 350	Caliper Boot & Bush Repair Kit		D DUCO RADIAL																
																			
<table border="1" style="width: 100%; border-collapse: collapse;"> <tbody> <tr> <td style="width: 15%;">346 02 201</td> <td style="width: 65%;">Round Bush - Ø 35 x 40 / 77 mm</td> <td style="width: 10%; text-align: center;">1</td> <td style="width: 10%;"></td> </tr> <tr> <td>346 00 876</td> <td>Oval Bush - Ø 35-36 x 39 / 30 mm</td> <td style="text-align: center;">2</td> <td></td> </tr> <tr> <td>346 00 357</td> <td>Tappet Boot</td> <td style="text-align: center;">2</td> <td></td> </tr> <tr> <td>346 00 354</td> <td>Pin Boot</td> <td style="text-align: center;">2</td> <td></td> </tr> </tbody> </table>				346 02 201	Round Bush - Ø 35 x 40 / 77 mm	1		346 00 876	Oval Bush - Ø 35-36 x 39 / 30 mm	2		346 00 357	Tappet Boot	2		346 00 354	Pin Boot	2	
346 02 201	Round Bush - Ø 35 x 40 / 77 mm	1																	
346 00 876	Oval Bush - Ø 35-36 x 39 / 30 mm	2																	
346 00 357	Tappet Boot	2																	
346 00 354	Pin Boot	2																	

Truckexpert Nr	Description	OEM Nr	Application
346 02 049	Actuator Seal Set	68322297PK10	DUCO ALL MODEL
			
346 01 745 Actuator Seal			10

Truckexpert Nr	Description	OEM Nr	Application
346 00 468	Actuator Seal Set	68322655PK10	B DUCO C DUCO LE DUCO D DUCO AXIAL
			

Truckexpert Nr	Description	OEM Nr	Application
346 01 953	Rubber Cap Set	68322655PK10	B DUCO C DUCO LE DUCO D DUCO AXIAL
			
346 00 468 Rubber Cap			10

Truckexpert Nr	Description	OEM Nr	Application
346 00 676	Rubber Cap		D DUCO RADIAL
			

Truckexpert Nr	Description	OEM Nr	Application
----------------	-------------	--------	-------------

346 01 317 Caliper Adjuster Seal & Boot Repair Kit

D DUCO AXIAL
B DUCO
C DUCO
LE DUCO



346 00 468	Caliper Adjuster Dust Boot	1
346 01 740	Ring - Ø 37 x 40 / 11 mm	1
346 01 746	Shaft Seal	1

Truckexpert Nr	Description	OEM Nr	Application
----------------	-------------	--------	-------------

346 00 464 Caliper Visual Indicator

SJ4111

DUCO ALL MODEL



Truckexpert Nr	Description	OEM Nr	Application
----------------	-------------	--------	-------------

346 00 678 Caliper Gasket

C DUCO
LE DUCO



Truckexpert Nr	Description	OEM Nr	Application
----------------	-------------	--------	-------------

346 00 473 Caliper Gasket Set


MCK1041

C DUCO
LE DUCO



346 00 468	Rubber Cap	1
346 00 678	Caliper Gasket	1
346 01 745	Actuator Seal	1
346 01 746	Shaft Seal	1

Truckexpert Nr	Description	OEM Nr	Application
346 00 470	Caliper Gasket		D DUCO AXIAL



Truckexpert Nr	Description	OEM Nr	Application
346 00 472	Caliper Gasket Set	SJ4105	D DUCO AXIAL



346 00 468	Rubber Cap	1
346 00 470	Caliper Gasket	1
346 01 745	Actuator Seal	1
346 01 746	Shaft Seal	1

Truckexpert Nr	Description	OEM Nr	Application
346 00 677	Caliper Gasket		D DUCO RADIAL



Truckexpert Nr	Description	OEM Nr	Application
346 00 471	Caliper Gasket Set	SJ4109	D DUCO RADIAL



346 00 676	Rubber Cap	1
346 00 677	Caliper Gasket	1
346 01 745	Actuator Seal	1
346 01 746	Shaft Seal	1

MERITOR
DUCO

Truckexpert Nr	Description	OEM Nr	Application
346 01 257	Caliper Tappet Boot Set	68324854PK10	DUCO ALL MODEL



346 00 357	Tappet Boot	10
------------	-------------	----

Truckexpert Nr	Description	OEM Nr	Application
346 00 467	Caliper Tappet Boot Set	68324854PK10	DUCO ALL MODEL



346 02 032	Caliper Pad Retainer	1
346 02 033	Screw M16X1,25X20	1

Truckexpert Nr	Description	OEM Nr	Application
346 01 950	Caliper Pad Retainer Kit	MCK1263	B DUCO




Truckexpert Nr	Description	OEM Nr	Application
346 00 301	Caliper Tappet Boot Set	MCK1139	DUCO ALL MODEL



346 00 357	Tappet Boot	2
------------	-------------	---

Truckexpert Nr	Description	OEM Nr	Application						
346 00 770	Caliper Tappet Dust Cover		B DUCO C DUCO LE DUCO D DUCO AXIAL D DUCO RADIAL						
									
		<table border="1"> <tr> <td>346 00 354</td> <td>Pin Boot</td> <td>2</td> </tr> <tr> <td>346 00 357</td> <td>Tappet Boot</td> <td>2</td> </tr> </table>	346 00 354	Pin Boot	2	346 00 357	Tappet Boot	2	
346 00 354	Pin Boot	2							
346 00 357	Tappet Boot	2							

Truckexpert Nr	Description	OEM Nr	Application									
346 00 305	Caliper Tappet & Boot Set	MCK1238	DUCO ALL MODEL									
												
		<table border="1"> <tr> <td>346 00 357</td> <td>Tappet Boot</td> <td>2</td> </tr> <tr> <td>346 01 748</td> <td>Tappet</td> <td>2</td> </tr> <tr> <td>346 01 749</td> <td>Clips</td> <td>2</td> </tr> </table>	346 00 357	Tappet Boot	2	346 01 748	Tappet	2	346 01 749	Clips	2	
346 00 357	Tappet Boot	2										
346 01 748	Tappet	2										
346 01 749	Clips	2										

Truckexpert Nr	Description	OEM Nr	Application									
346 02 101	Intermediate Gear & Spring Set	MCK1129	C DUCO LE DUCO									
												
		<table border="1"> <tr> <td>346 02 184</td> <td>Caliper Intermediate Gear</td> <td>1</td> </tr> <tr> <td>346 02 185</td> <td>Spring (Big)</td> <td>1</td> </tr> <tr> <td>346 02 186</td> <td>Spring (Small)</td> <td>1</td> </tr> </table>	346 02 184	Caliper Intermediate Gear	1	346 02 185	Spring (Big)	1	346 02 186	Spring (Small)	1	
346 02 184	Caliper Intermediate Gear	1										
346 02 185	Spring (Big)	1										
346 02 186	Spring (Small)	1										

Truckexpert Nr	Description	OEM Nr	Application									
346 00 281	Intermediate Gear & Spring Set	MCK1067	D DUCO AXIAL D DUCO RADIAL									
												
		<table border="1"> <tr> <td>346 01 755</td> <td>Intermediate Gear</td> <td>1</td> </tr> <tr> <td>346 01 756</td> <td>Spring (Big)</td> <td>1</td> </tr> <tr> <td>346 01 757</td> <td>Spring (Small)</td> <td>1</td> </tr> </table>	346 01 755	Intermediate Gear	1	346 01 756	Spring (Big)	1	346 01 757	Spring (Small)	1	
346 01 755	Intermediate Gear	1										
346 01 756	Spring (Big)	1										
346 01 757	Spring (Small)	1										

Truckexpert Nr	Description	OEM Nr	Application
346 00 674	Caliper Gear & Springs Kit		D DUCO AXIAL D DUCO RADIAL
			
		346 01 758	Intermediate Gear 1
		346 01 759	Spring 1
		346 01 760	Washer 2

Truckexpert Nr	Description	OEM Nr	Application
346 01 313	Tappet Anti Rotation Plate	68322485	C DUCO LE DUCO
			

Truckexpert Nr	Description	OEM Nr	Application
346 00 297	Tappet Anti Rotation Plate	68322900	D DUCO AXIAL D DUCO RADIAL
			

Truckexpert Nr	Description	OEM Nr	Application
346 00 263	Adjusting Mechanism Shaft - L	MCK1111 SJ4102	C DUCO LE DUCO D DUCO AXIAL D DUCO RADIAL
			
	346 01 744	Adjusting Mechanism	1
	346 01 746	Shaft Seal	1

Truckexpert Nr	Description	OEM Nr	Application
346 00 262	Adjusting Mechanism Shaft - R	MCK1112 SJ4103	C DUCO LE DUCO D DUCO AXIAL D DUCO RADIAL



346 01 746	Shaft Seal	1
346 01 747	Adjusting Mechanism	1

Truckexpert Nr	Description	OEM Nr	Application
346 00 460	Adjusting Mechanism Shaft - R / L	MCK1113 SJ4110	C DUCO LE DUCO D DUCO AXIAL D DUCO RADIAL




346 01 744	Adjusting Mechanism	1
346 01 745	Actuator Seal	1
346 01 746	Shaft Seal	1

Truckexpert Nr	Description	OEM Nr	Application
346 00 461	Adjusting Mechanism Shaft	MCK1050	B DUCO




346 02 189	Caliper Adjusting Mechanism Shaft	1
346 02 190	Caliper Mechanism Bearing - External Tooth	1
346 02 191	Caliper Mechanism Bearing - Flat	1
346 02 192	Mechanism Thrust Bearing	1
346 02 193	Mechanism Thrust Washer	2

MERITOR
DUCO

Truckexpert Nr	Description	OEM Nr	Application
346 00 666	Caliper Gear (Left)		C DUCO LE DUCO D DUCO AXIAL D DUCO RADIAL
			

Truckexpert Nr	Description	OEM Nr	Application
346 00 667	Caliper Gear (Right)		C DUCO LE DUCO D DUCO AXIAL D DUCO RADIAL
			

Truckexpert Nr	Description	OEM Nr	Application
346 00 669	Caliper Bolt (Left)		C DUCO LE DUCO D DUCO AXIAL D DUCO RADIAL
			

Truckexpert Nr	Description	OEM Nr	Application
346 00 668	Caliper Bolt (Right)		C DUCO LE DUCO D DUCO AXIAL D DUCO RADIAL
			

Truckexpert Nr	Description	OEM Nr	Application
346 00 259	Caliper Adjusting Mechanism Set - L	MCK1236	DUCO ALL MODEL



346 00 357	Tappet Boot	2
346 01 748	Tappet	2
346 01 749	Clips	2
346 01 751	Bush - Ø 45 X 49 / 31 mm	2
346 01 752	Seal	2
346 01 753	Caliper Adjusting Mechanism - L	2

Truckexpert Nr	Description	OEM Nr	Application
346 00 257	Caliper Adjusting Mechanism Set - R	MCK1237 MCK1239	DUCO ALL MODEL



346 00 357	Tappet Boot	2
346 01 748	Tappet	2
346 01 749	Clips	2
346 01 750	Caliper Adjusting Mechanism - R	2
346 01 751	Bush - Ø 45 X 49 / 31 mm	2
346 01 752	Seal	2

MERITOR
 DUCO

Truckexpert Nr	Description	OEM Nr	Application
346 00 664	Caliper Adjusting Tappet Repair Kit Half Set (Left)		B DUCO C DUCO LE DUCO D DUCO AXIAL
		346 00 357	Tappet Boot 1
		346 01 748	Tappet 1
		346 01 749	Clips 1
		346 01 751	Bush - Ø 45 X 49 / 31 mm 1
		346 01 752	Seal 1
		346 01 753	Caliper Adjusting Mechanism - L 1

Truckexpert Nr	Description	OEM Nr	Application
346 00 665	Caliper Adjusting Tappet Repair Kit Half Set (Right)		B DUCO C DUCO LE DUCO D DUCO AXIAL
		346 00 357	Tappet Boot 1
		346 01 748	Tappet 1
		346 01 749	Clips 1
		346 01 750	Caliper Adjusting Mechanism - R 1
		346 01 751	Bush - Ø 45 X 49 / 31 mm 1
		346 01 752	Seal 1

Truckexpert Nr	Description	OEM Nr	Application
346 02 102	Caliper Lever Set	MCK1048	B DUCO
		346 02 187	Caliper Lever 1
		346 01 682	Roller Bearing 2
		346 01 683	Caliper Lever Bearing 2
		346 01 684	Half Bearing 2
		346 01 745	Actuator Seal 1

Truckexpert Nr	Description	OEM Nr	Application
346 00 673	Caliper Lever (Left)		C DUCO LE DUCO



Truckexpert Nr	Description	OEM Nr	Application
346 01 872	Caliper Lever Set - L	MCK1127	C DUCO LE DUCO



346 00 673	Caliper Lever - L	1
346 01 682	Roller Bearing	2
346 01 683	Caliper Lever Bearing	2
346 01 684	Half Bearing	2
346 01 745	Actuator Seal	1

Truckexpert Nr	Description	OEM Nr	Application
346 00 672	Caliper Lever (Right)		C DUCO LE DUCO



Truckexpert Nr	Description	OEM Nr	Application
346 01 873	Caliper Lever Set - R	MCK1128	C DUCO LE DUCO



346 00 672	Caliper Lever - R	1
346 01 682	Roller Bearing	2
346 01 683	Caliper Lever Bearing	2
346 01 684	Half Bearing	2
346 01 745	Actuator Seal	1

Truckexpert Nr	Description	OEM Nr	Application
----------------	-------------	--------	-------------

346 02 286

Caliper Lever - L

D DUCO AXIAL



346 01 901	Caliper Lever Left	1
346 01 682	Roller Bearing	2
346 01 683	Lever Bearing	2

Truckexpert Nr	Description	OEM Nr	Application
----------------	-------------	--------	-------------

346 02 287

Caliper Lever - R

D DUCO AXIAL



346 01 900	Caliper Lever Right	1
346 01 682	Roller Bearing	2
346 01 683	Lever Bearing	2

Truckexpert Nr	Description	OEM Nr	Application
----------------	-------------	--------	-------------

346 02 288

Caliper Lever

D DUCO RADIAL



346 01 754	Caliper Lever	1
346 01 682	Roller Bearing	2
346 01 683	Lever Bearing	2

Truckexpert Nr	Description	OEM Nr	Application
----------------	-------------	--------	-------------

346 02 289

Caliper Lever

B DUCO



346 02 187	Caliper Lever	1
346 01 682	Roller Bearing	2
346 01 683	Lever Bearing	2

Truckexpert Nr	Description	OEM Nr	Application									
346 01 903	Caliper Lever - L		C DUCO LE DUCO									
												
		<table border="1"> <tbody> <tr> <td>346 00 673</td> <td>Caliper Lever - L</td> <td>1</td> </tr> <tr> <td>346 01 682</td> <td>Roller Bearing</td> <td>2</td> </tr> <tr> <td>346 01 683</td> <td>Lever Bearing</td> <td>2</td> </tr> </tbody> </table>	346 00 673	Caliper Lever - L	1	346 01 682	Roller Bearing	2	346 01 683	Lever Bearing	2	
346 00 673	Caliper Lever - L	1										
346 01 682	Roller Bearing	2										
346 01 683	Lever Bearing	2										

Truckexpert Nr	Description	OEM Nr	Application									
346 01 902	Caliper Lever - R		C DUCO LE DUCO									
												
		<table border="1"> <tbody> <tr> <td>346 00 672</td> <td>Caliper Lever - R</td> <td>1</td> </tr> <tr> <td>346 01 682</td> <td>Roller Bearing</td> <td>2</td> </tr> <tr> <td>346 01 683</td> <td>Lever Bearing</td> <td>2</td> </tr> </tbody> </table>	346 00 672	Caliper Lever - R	1	346 01 682	Roller Bearing	2	346 01 683	Lever Bearing	2	
346 00 672	Caliper Lever - R	1										
346 01 682	Roller Bearing	2										
346 01 683	Lever Bearing	2										

Truckexpert Nr	Description	OEM Nr	Application
346 02 295	Caliper Pad Spring Set		D DUCO
			

Truckexpert Nr	Description	OEM Nr	Application
346 02 296	Caliper Pad Spring Set		C DUCO
			

MERITOR
DUCO

Truckexpert Nr	Description	OEM Nr	Application
346 01 683	Caliper Lever Bearing		B DUCO C DUCO LE DUCO D DUCO AXIAL



Truckexpert Nr	Description	OEM Nr	Application
346 00 291	Caliper Bearing Set	SJ4112	B DUCO C DUCO LE DUCO D DUCO AXIAL



346 01 682	Roller Bearing	2
346 01 683	Lever Bearing	2
346 01 684	Half Bearing	2

Truckexpert Nr	Description	OEM Nr	Application
346 00 462	Caliper Lever Set - R	MCK1399 SJ4097	D DUCO AXIAL



346 01 684	Half Bearing	2
346 01 745	Actuator Seal	1
346 01 900	Caliper Lever Right	1
346 01 682	Roller Bearing	2
346 01 683	Lever Bearing	2

Truckexpert Nr	Description	OEM Nr	Application
346 00 463	Caliper Lever Set - L	MCK1398 SJ4096	D DUCO AXIAL



346 01 684	Half Bearing	2
346 01 745	Actuator Seal	1
346 01 901	Caliper Lever Left	1
346 01 682	Roller Bearing	2
346 01 683	Lever Bearing	2

Truckexpert Nr	Description	OEM Nr	Application
346 01 688	Caliper Lever Bearing		D DUCO RADIAL



Truckexpert Nr	Description	OEM Nr	Application
346 00 454	Caliper Bearing Set	SJ4098	D DUCO RADIAL



346 01 682	Roller Bearing	2
346 01 684	Half Bearing	2
346 01 688	Lever Bearing	2

Truckexpert Nr	Description	OEM Nr	Application
346 00 670	Caliper Lever Set	SJ4108	D DUCO RADIAL



346 01 682	Roller Bearing	2
346 01 688	Lever Bearing	2
346 01 684	Half Bearing	2
346 01 745	Actuator Seal	1
346 01 754	Caliper Lever	1

Truckexpert Nr	Description	OEM Nr	Application
346 00 292	Caliper Needle Bearing Set		DUCO ALL MODEL



346 01 684	Half Bearing	2
-------------------	--------------	---

Truckexpert Nr	Description	OEM Nr	Application
----------------	-------------	--------	-------------

346 02 290

Caliper Repair Set - Right

**C DUCO
LE DUCO**



346 01 682	Roller Bearing	2
346 01 683	Lever Bearing	2
346 01 684	Caliper Needle Bearing	2
346 01 746	Shaft Seal	1
346 01 747	Adjusting Mechanism	1
346 00 468	Rubber Cap	1
346 01 745	Actuator Seal	1
346 00 678	Gasket	1
346 00 357	Tappet Boot	2
346 01 749	Clips	2
346 01 748	Tappet	2
346 01 751	Flanged Bush Ø 45 X 49 / 31 mm	2
346 01 752	Seal	2
346 01 750	Caliper Adjusting Mechanism -R	2
346 02 201	Caliper Long Pin Bush	1
346 00 354	Pin Boot	2
346 00 338	Caliper Pin Ø 35 / 102 mm	1
346 00 350	Pin Bolt M20 X 2 / 125 mm	1
346 00 876	Oval Bush Ø 35 - 36 X 39/30 mm	1
346 01 740	Ring Ø 37 X 40 / 11 mm	2
346 00 892	Pin Cap - Ø 40 / 18.5 mm	2
346 00 842	Caliper Pin Ø 35 / 60 mm	1
346 00 351	Pin Bolt M20 X 2 / 80 mm	1
346 02 184	Intermediate Gear	1
346 02 185	Spring (Big)	1
346 02 186	Spring (Small)	1
346 01 313	Tappet Anti Rotation Plate	1
346 01 541	Grease - 5 g	1

346 02 290/1 Caliper Repair Set - Right Without Chrome Plated Tappets and Pins

Truckexpert Nr	Description	OEM Nr	Application
----------------	-------------	--------	-------------

346 02 291


Caliper Repair Set - Left


**C DUCO
LE DUCO**

346 01 682	Roller Bearing	2
346 01 683	Lever Bearing	2
346 01 684	Caliper Needle Bearing	2
346 01 746	Shaft Seal	1
346 02 199	Adjusting Mechanism	1
346 00 468	Rubber Cap	1
346 01 745	Actuator Seal	1
346 00 678	Gasket	1
346 00 357	Tappet Boot	2
346 01 749	Clips	2
346 01 748	Tappet	2
346 01 753	Caliper Adjusting Mechanism -L	2
346 01 751	Flanged Bush Ø 45 X 49 / 31 mm	2
346 01 752	Seal	2
346 00 464	Caliper Visual Indicator	1
346 00 354	Pin Boot	2
346 00 338	Caliper Pin Ø 35 / 102 mm	1
346 00 350	Pin Bolt M20 X 2 / 125 mm	1
346 00 876	Oval Bush Ø 35 - 36 X 39/30 mm	1
346 01 740	Ring Ø 37 X 40 / 11 mm	2
346 00 892	Pin Cap - Ø 40 / 18.5 mm	2
346 00 842	Caliper Pin Ø 35 / 60 mm	1
346 00 351	Pin Bolt M20 X 2 / 80 mm	1
346 01 541	Grease - 5 g	1
346 02 184	Intermediate Gear	1
346 02 185	Spring (Big)	1
346 02 186	Spring (Small)	1
346 01 313	Tappet Anti Rotation Plate	1
346 01 541	Grease - 5 g	1



346 02 291/1 Caliper Repair Set - Left Without Chrome Plated Tappets and Pins

Truckexpert Nr	Description	OEM Nr	Application																																																																																				
346 02 292	Caliper Repair Set - Left		D DUCO																																																																																				
																																																																																							
		<table border="1"> <tbody> <tr><td>346 00 354</td><td>Pin Boot</td><td>2</td></tr> <tr><td>346 00 338</td><td>Caliper Pin Ø 35 / 102 mm</td><td>1</td></tr> <tr><td>346 00 350</td><td>Pin Bolt M20 X 2 / 125 mm</td><td>1</td></tr> <tr><td>346 00 876</td><td>Oval Bush Ø 35 - 36 X 39/30 mm</td><td>1</td></tr> <tr><td>346 01 740</td><td>Ring Ø 37 X 40 / 11 mm</td><td>2</td></tr> <tr><td>346 00 892</td><td>Pin Cap - Ø 40 / 18.5 mm</td><td>2</td></tr> <tr><td>346 00 842</td><td>Caliper Pin Ø 35 / 60 mm</td><td>1</td></tr> <tr><td>346 00 351</td><td>Pin Bolt M20 X 2 / 80 mm</td><td>1</td></tr> <tr><td>346 00 357</td><td>Tappet Boot</td><td>2</td></tr> <tr><td>346 01 749</td><td>Clips</td><td>2</td></tr> <tr><td>346 01 748</td><td>Tappet</td><td>2</td></tr> <tr><td>346 01 753</td><td>Caliper Adjusting Mechanism -L</td><td>2</td></tr> <tr><td>346 01 751</td><td>Flanged Bush Ø 45 X 49 / 31 mm</td><td>2</td></tr> <tr><td>346 01 752</td><td>Seal</td><td>2</td></tr> <tr><td>346 01 684</td><td>Caliper Needle Bearing</td><td>2</td></tr> <tr><td>346 01 682</td><td>Roller Bearing</td><td>2</td></tr> <tr><td>346 01 683</td><td>Lever Bearing</td><td>2</td></tr> <tr><td>346 01 746</td><td>Shaft Seal</td><td>1</td></tr> <tr><td>346 02 199</td><td>Adjusting Mechanism</td><td>1</td></tr> <tr><td>346 00 468</td><td>Rubber Cap</td><td>1</td></tr> <tr><td>346 01 745</td><td>Actuator Seal</td><td>1</td></tr> <tr><td>346 00 470</td><td>Gasket</td><td>1</td></tr> <tr><td>346 01 755</td><td>Intermediate Gear</td><td>1</td></tr> <tr><td>346 01 756</td><td>Spring (Big)</td><td>1</td></tr> <tr><td>346 01 757</td><td>Spring (Small)</td><td>1</td></tr> <tr><td>346 00 464</td><td>Caliper Visual Indicator</td><td>1</td></tr> <tr><td>346 00 297</td><td>Tappet Anti Rotation Plate</td><td>1</td></tr> <tr><td>346 01 541</td><td>Grease - 5 g</td><td>1</td></tr> </tbody> </table>	346 00 354	Pin Boot	2	346 00 338	Caliper Pin Ø 35 / 102 mm	1	346 00 350	Pin Bolt M20 X 2 / 125 mm	1	346 00 876	Oval Bush Ø 35 - 36 X 39/30 mm	1	346 01 740	Ring Ø 37 X 40 / 11 mm	2	346 00 892	Pin Cap - Ø 40 / 18.5 mm	2	346 00 842	Caliper Pin Ø 35 / 60 mm	1	346 00 351	Pin Bolt M20 X 2 / 80 mm	1	346 00 357	Tappet Boot	2	346 01 749	Clips	2	346 01 748	Tappet	2	346 01 753	Caliper Adjusting Mechanism -L	2	346 01 751	Flanged Bush Ø 45 X 49 / 31 mm	2	346 01 752	Seal	2	346 01 684	Caliper Needle Bearing	2	346 01 682	Roller Bearing	2	346 01 683	Lever Bearing	2	346 01 746	Shaft Seal	1	346 02 199	Adjusting Mechanism	1	346 00 468	Rubber Cap	1	346 01 745	Actuator Seal	1	346 00 470	Gasket	1	346 01 755	Intermediate Gear	1	346 01 756	Spring (Big)	1	346 01 757	Spring (Small)	1	346 00 464	Caliper Visual Indicator	1	346 00 297	Tappet Anti Rotation Plate	1	346 01 541	Grease - 5 g	1	
346 00 354	Pin Boot	2																																																																																					
346 00 338	Caliper Pin Ø 35 / 102 mm	1																																																																																					
346 00 350	Pin Bolt M20 X 2 / 125 mm	1																																																																																					
346 00 876	Oval Bush Ø 35 - 36 X 39/30 mm	1																																																																																					
346 01 740	Ring Ø 37 X 40 / 11 mm	2																																																																																					
346 00 892	Pin Cap - Ø 40 / 18.5 mm	2																																																																																					
346 00 842	Caliper Pin Ø 35 / 60 mm	1																																																																																					
346 00 351	Pin Bolt M20 X 2 / 80 mm	1																																																																																					
346 00 357	Tappet Boot	2																																																																																					
346 01 749	Clips	2																																																																																					
346 01 748	Tappet	2																																																																																					
346 01 753	Caliper Adjusting Mechanism -L	2																																																																																					
346 01 751	Flanged Bush Ø 45 X 49 / 31 mm	2																																																																																					
346 01 752	Seal	2																																																																																					
346 01 684	Caliper Needle Bearing	2																																																																																					
346 01 682	Roller Bearing	2																																																																																					
346 01 683	Lever Bearing	2																																																																																					
346 01 746	Shaft Seal	1																																																																																					
346 02 199	Adjusting Mechanism	1																																																																																					
346 00 468	Rubber Cap	1																																																																																					
346 01 745	Actuator Seal	1																																																																																					
346 00 470	Gasket	1																																																																																					
346 01 755	Intermediate Gear	1																																																																																					
346 01 756	Spring (Big)	1																																																																																					
346 01 757	Spring (Small)	1																																																																																					
346 00 464	Caliper Visual Indicator	1																																																																																					
346 00 297	Tappet Anti Rotation Plate	1																																																																																					
346 01 541	Grease - 5 g	1																																																																																					
346 02 292/1 Caliper Repair Set - Left Without Chrome Plated Tappets and Pins																																																																																							

Truckexpert Nr	Description	OEM Nr	Application																																																																																				
346 02 293	Caliper Repair Set - Right		D DUCO																																																																																				
																																																																																							
		<table border="1"> <tbody> <tr><td>346 00 354</td><td>Pin Boot</td><td>2</td></tr> <tr><td>346 00 338</td><td>Caliper Pin Ø 35 / 102 mm</td><td>1</td></tr> <tr><td>346 00 350</td><td>Pin Bolt M20 X 2 / 125 mm</td><td>1</td></tr> <tr><td>346 00 876</td><td>Oval Bush Ø 35 - 36 X 39/30 mm</td><td>1</td></tr> <tr><td>346 01 740</td><td>Ring Ø 37 X 40 / 11 mm</td><td>2</td></tr> <tr><td>346 00 892</td><td>Pin Cap - Ø 40 / 18.5 mm</td><td>2</td></tr> <tr><td>346 00 842</td><td>Caliper Pin Ø 35 / 60 mm</td><td>1</td></tr> <tr><td>346 00 351</td><td>Pin Bolt M20 X 2 / 80 mm</td><td>1</td></tr> <tr><td>346 00 357</td><td>Tappet Boot</td><td>2</td></tr> <tr><td>346 01 749</td><td>Clips</td><td>2</td></tr> <tr><td>346 01 748</td><td>Tappet</td><td>2</td></tr> <tr><td>346 01 751</td><td>Flanged Bush Ø 45 X 49 / 31 mm</td><td>2</td></tr> <tr><td>346 01 752</td><td>Seal</td><td>2</td></tr> <tr><td>346 01 750</td><td>Caliper Adjusting Mechanism -R</td><td>2</td></tr> <tr><td>346 01 684</td><td>Caliper Needle Bearing</td><td>2</td></tr> <tr><td>346 01 682</td><td>Roller Bearing</td><td>2</td></tr> <tr><td>346 01 683</td><td>Lever Bearing</td><td>2</td></tr> <tr><td>346 01 746</td><td>Shaft Seal</td><td>1</td></tr> <tr><td>346 01 747</td><td>Adusting Mechanism</td><td>1</td></tr> <tr><td>346 00 468</td><td>Rubber Cap</td><td>1</td></tr> <tr><td>346 01 745</td><td>Actuator Seal</td><td>1</td></tr> <tr><td>346 00 470</td><td>Gasket</td><td>1</td></tr> <tr><td>346 01 755</td><td>Intermediate Gear</td><td>1</td></tr> <tr><td>346 01 756</td><td>Spring (Big)</td><td>1</td></tr> <tr><td>346 01 757</td><td>Spring (Small)</td><td>1</td></tr> <tr><td>346 00 464</td><td>Caliper Visual Indicator</td><td>1</td></tr> <tr><td>346 00 297</td><td>Tappet Anti Rotation Plate</td><td>1</td></tr> <tr><td>346 01 541</td><td>Grease - 5 g</td><td>1</td></tr> </tbody> </table>	346 00 354	Pin Boot	2	346 00 338	Caliper Pin Ø 35 / 102 mm	1	346 00 350	Pin Bolt M20 X 2 / 125 mm	1	346 00 876	Oval Bush Ø 35 - 36 X 39/30 mm	1	346 01 740	Ring Ø 37 X 40 / 11 mm	2	346 00 892	Pin Cap - Ø 40 / 18.5 mm	2	346 00 842	Caliper Pin Ø 35 / 60 mm	1	346 00 351	Pin Bolt M20 X 2 / 80 mm	1	346 00 357	Tappet Boot	2	346 01 749	Clips	2	346 01 748	Tappet	2	346 01 751	Flanged Bush Ø 45 X 49 / 31 mm	2	346 01 752	Seal	2	346 01 750	Caliper Adjusting Mechanism -R	2	346 01 684	Caliper Needle Bearing	2	346 01 682	Roller Bearing	2	346 01 683	Lever Bearing	2	346 01 746	Shaft Seal	1	346 01 747	Adusting Mechanism	1	346 00 468	Rubber Cap	1	346 01 745	Actuator Seal	1	346 00 470	Gasket	1	346 01 755	Intermediate Gear	1	346 01 756	Spring (Big)	1	346 01 757	Spring (Small)	1	346 00 464	Caliper Visual Indicator	1	346 00 297	Tappet Anti Rotation Plate	1	346 01 541	Grease - 5 g	1	
346 00 354	Pin Boot	2																																																																																					
346 00 338	Caliper Pin Ø 35 / 102 mm	1																																																																																					
346 00 350	Pin Bolt M20 X 2 / 125 mm	1																																																																																					
346 00 876	Oval Bush Ø 35 - 36 X 39/30 mm	1																																																																																					
346 01 740	Ring Ø 37 X 40 / 11 mm	2																																																																																					
346 00 892	Pin Cap - Ø 40 / 18.5 mm	2																																																																																					
346 00 842	Caliper Pin Ø 35 / 60 mm	1																																																																																					
346 00 351	Pin Bolt M20 X 2 / 80 mm	1																																																																																					
346 00 357	Tappet Boot	2																																																																																					
346 01 749	Clips	2																																																																																					
346 01 748	Tappet	2																																																																																					
346 01 751	Flanged Bush Ø 45 X 49 / 31 mm	2																																																																																					
346 01 752	Seal	2																																																																																					
346 01 750	Caliper Adjusting Mechanism -R	2																																																																																					
346 01 684	Caliper Needle Bearing	2																																																																																					
346 01 682	Roller Bearing	2																																																																																					
346 01 683	Lever Bearing	2																																																																																					
346 01 746	Shaft Seal	1																																																																																					
346 01 747	Adusting Mechanism	1																																																																																					
346 00 468	Rubber Cap	1																																																																																					
346 01 745	Actuator Seal	1																																																																																					
346 00 470	Gasket	1																																																																																					
346 01 755	Intermediate Gear	1																																																																																					
346 01 756	Spring (Big)	1																																																																																					
346 01 757	Spring (Small)	1																																																																																					
346 00 464	Caliper Visual Indicator	1																																																																																					
346 00 297	Tappet Anti Rotation Plate	1																																																																																					
346 01 541	Grease - 5 g	1																																																																																					
346 02 293/1 Caliper Repair Set - Right Without Chrome Plated Tappets and Pins																																																																																							



Truckexpert Nr	Description	OEM Nr	Application
----------------	-------------	--------	-------------

346 02 103

Caliper Complete Repair Set

B DUCO



346 00 338	Caliper Pin - Ø 35 / 102 mm	1
346 00 842	Caliper Pin - Ø 35 / 60 mm	1
346 00 350	Pin Bolt - M20 x 2 / 125 mm	1
346 00 351	Pin Bolt - M20 x 2 / 80 mm	1
346 02 201	Round Bush - Ø 35 x 40 / 77 mm	1
346 00 876	Oval Bush - Ø 35-36 x 39 / 30 mm	1
346 01 740	Ring - Ø 37 x 40 / 11 mm	2
346 00 892	Pin Cap - Ø 40 / 18.5 mm	2
346 00 354	Pin Boot	2
346 02 189	Caliper Adjusting Mechanism Shaft	1
346 02 190	Caliper Mechanism Bearing - External Tooth	1
346 02 191	Caliper Mechanism Bearing - Flat	1
346 02 192	Mechanism Thrust Bearing	1
346 02 193	Mechanism Thrust Washer	2
346 00 357	Tappet Boot	2
346 01 749	Clips	2
346 01 748	Tappet	2
346 01 750	Caliper Adjusting Mechanism - R	2
346 01 751	Plastic Bush - Ø 45 x 49 / 31 mm	2
346 01 752	Seal	2
346 02 187	Caliper Lever	1
346 01 682	Roller Bearing	2
346 01 683	Caliper Lever Bearing	2
346 01 684	Half Bearing	2
346 01 745	Actuator Seal	1
346 00 676	Rubber Cap	1
346 00 464	Caliper Visual Indicaor	1
346 01 541	Grease - 5 g	1

346 02 103/1 Caliper Complete Repair Set Without Chrome Plated Pins

Truckexpert Nr	Description	OEM Nr	Application
----------------	-------------	--------	-------------

346 02 108


Caliper Complete Repair Set

D DUCO RADIAL

346 00 338	Caliper Pin - Ø 35 / 102 mm	2
346 00 350	Pin Bolt - M20 x 2 / 125 mm	2
346 02 201	Round Bush - Ø 35 x 40 / 77 mm	1
346 00 876	Oval Bush - Ø 35-36 x 39 / 30 mm	2
346 01 740	Ring - Ø 37 x 40 / 11 mm	2
346 00 892	Pin Cap - Ø 40 / 18.5 mm	2
346 00 354	Pin Boot	2
346 00 466	Caliper Small Gear Mechanism - L	1
346 01 744	Adjusting Mechanism	1
346 01 745	Actuator Seal	1
346 01 746	Shaft Seal	1
346 00 357	Tappet Boot	2
346 01 748	Tappet	2
346 01 749	Clips	2
346 01 750	Caliper Adjusting Mechanism - R	2
346 01 751	Plastic Bush - Ø 45 x 49 / 31 mm	2
346 01 752	Seal	2
346 01 755	Intermediate Gear	1
346 01 756	Spring (Big)	1
346 01 757	Spring (Small)	1
346 00 297	Tappet Anti Rotation Plate	1
346 01 754	Caliper Lever	1
346 01 682	Roller Bearing	2
346 01 688	Caliper Lever Bearing	2
346 01 684	Half Bearing	2
346 00 677	Gasket	1
346 00 676	Rubber Cap	1
346 00 464	Caliper Visual Indicator	1
346 01 541	Grease - 5 g	1





346 02 108/1 Caliper Complete Repair Set Without Chrome Plated Pins


Truckexpert Nr	Description	OEM Nr	Application
346 02 104	Caliper Complete Repair Set - L		C DUCO / LE DUCO
			
		346 00 338	Caliper Pin - Ø 35 / 102 mm 1
		346 00 842	Caliper Pin - Ø 35 / 60 mm 1
		346 00 350	Pin Bolt - M20 x 2 / 125 mm 1
		346 00 351	Pin Bolt - M20 x 2 / 80 mm 1
		346 02 201	Round Bush - Ø 35 x 40 / 77 mm 1
		346 00 876	Oval Bush - Ø 35-36 x 39 / 30 mm 1
		346 01 740	Ring - Ø 37 x 40 / 11 mm 2
		346 00 892	Pin Cap - Ø 40 / 18.5 mm 2
		346 00 354	Pin Boot 2
		346 02 199	Adjusting Mechanism 1
		346 01 746	Shaft Seal 1
		346 00 357	Tappet Boot 2
		346 01 748	Tappet 2
		346 01 749	Clips 2
		346 01 753	Caliper Adjusting Mechanism - L 2
		346 01 751	Plastic Bush - Ø 45 x 49 / 31 mm 2
		346 01 752	Seal 2
		346 02 184	Caliper Intermediate Gear 1
		346 02 185	Spring (Big) 1
		346 02 186	Spring (Small) 1
		346 01 313	Tappet Anti Rotation Plate 1
		346 00 673	Caliper Lever - L 1
		346 01 682	Roller Bearing 2
		346 01 683	Caliper Lever Bearing 2
		346 01 684	Half Bearing 2
		346 01 745	Actuator Seal 1
		346 00 678	Gasket 1
		346 00 468	Caliper Adjuster Dust Boot 1
		346 00 466	Caliper Small Gear Mechanism - L 1
		346 00 464	Caliper Visual Indicator 1
		346 01 541	Grease - 5 g 1
346 02 104/1	Caliper Complete Repair Set - L Without Chrome Plated Pins		

Truckexpert Nr	Description	OEM Nr	Application
346 02 105	Caliper Complete Repair Set - R		C DUCO LE DUCO
			
346 00 338	Caliper Pin - Ø 35 / 102 mm		1
346 00 842	Caliper Pin - Ø 35 / 60 mm		1
346 00 350	Pin Bolt - M20 x 2 / 125 mm		1
346 00 351	Pin Bolt - M20 x 2 / 80 mm		1
346 02 201	Round Bush - Ø 35 x 40 / 77 mm		1
346 00 876	Oval Bush - Ø 35-36 x 39 / 30 mm		1
346 01 740	Ring - Ø 37 x 40 / 11 mm		2
346 00 892	Pin Cap - Ø 40 / 18.5 mm		2
346 00 354	Pin Boot		2
346 01 747	Adjusting Mechanism		1
346 01 746	Shaft Seal		1
346 00 357	Tappet Boot		2
346 01 748	Tappet		2
346 01 749	Clips		2
346 01 750	Caliper Adjusting Mechanism - R		2
346 01 751	Plastic Bush - Ø 45 x 49 / 31 mm		2
346 01 752	Seal		2
346 02 184	Caliper Intermediate Gear		1
346 02 185	Spring (Big)		1
346 02 186	Spring (Small)		1
346 01 313	Tappet Anti Rotation Plate		1
346 00 672	Caliper Lever - R		1
346 01 682	Roller Bearing		2
346 01 683	Caliper Lever Bearing		2
346 01 684	Half Bearing		2
346 01 745	Actuator Seal		1
346 00 678	Gasket		1
346 00 468	Caliper Adjuster Dust Boot		1
346 00 465	Caliper Small Gear Mechanism - R		1
346 00 464	Caliper Visual Indicator		1
346 01 541	Grease - 5 g		1
346 02 105/1	Caliper Complete Repair Set - R Without Chrome Plated Pins		



Truckexpert Nr	Description	OEM Nr	Application
346 02 106	Caliper Complete Repair Set - L		D DUCO AXIAL
			
		346 00 338	Caliper Pin - Ø 35 / 102 mm 1
		346 00 842	Caliper Pin - Ø 35 / 60 mm 1
		346 00 350	Pin Bolt - M20 x 2 / 125 mm 1
		346 00 351	Pin Bolt - M20 x 2 / 80 mm 1
		346 02 201	Round Bush - Ø 35 x 40 / 77 mm 1
		346 00 876	Oval Bush - Ø 35-36 x 39 / 30 mm 1
		346 01 740	Ring - Ø 37 x 40 / 11 mm 2
		346 00 892	Pin Cap - Ø 40 / 18.5 mm 2
		346 00 354	Pin Boot 2
		346 02 199	Adjusting Mechanism 1
		346 01 746	Shaft Seal 1
		346 00 357	Tappet Boot 2
		346 01 748	Tappet 2
		346 01 749	Clips 2
		346 01 753	Caliper Adjusting Mechanism - L 2
		346 01 751	Plastic Bush - Ø 45 x 49 / 31 mm 2
		346 01 752	Seal 2
		346 01 755	Intermediate Gear 1
		346 01 756	Spring (Big) 1
		346 01 757	Spring (Small) 1
		346 00 297	Tappet Anti Rotation Plate 1
		346 01 900	Caliper Lever - R 1
		346 01 682	Roller Bearing 2
		346 01 683	Caliper Lever Bearing 2
		346 01 684	Half Bearing 2
		346 01 745	Actuator Seal 1
		346 00 470	Gasket 1
		346 00 468	Caliper Adjuster Dust Boot 1
		346 00 466	Caliper Small Gear Mechanism - L 1
		346 00 464	Caliper Visual Indicator 1
		346 01 541	Grease - 5 g 1
346 02 106 / 1	Caliper Complete Repair Set - L Without Chrome Plated Pins		

Truckexpert Nr	Description	OEM Nr	Application
346 02 107	Caliper Complete Repair Set - R		D DUCO AXIAL
			
346 00 338	Caliper Pin - Ø 35 / 102 mm		1
346 00 842	Caliper Pin - Ø 35 / 60 mm		1
346 00 350	Pin Bolt - M20 x 2 / 125 mm		1
346 00 351	Pin Bolt - M20 x 2 / 80 mm		1
346 02 201	Round Bush - Ø 35 x 40 / 77 mm		1
346 00 876	Oval Bush - Ø 35-36 x 39 / 30 mm		1
346 01 740	Ring - Ø 37 x 40 / 11 mm		2
346 00 892	Pin Cap - Ø 40 / 18.5 mm		2
346 00 354	Pin Boot		2
346 01 747	Adjusting Mechanism		1
346 01 746	Shaft Seal		1
346 00 357	Tappet Boot		2
346 01 749	Clips		2
346 01 748	Tappet		2
346 01 751	Plastic Bush - Ø 45 x 49 / 31 mm		2
346 01 752	Seal		2
346 01 750	Caliper Adjusting Mechanism - R		2
346 01 755	Intermediate Gear		1
346 01 756	Spring (Big)		1
346 01 757	Spring (Small)		1
346 00 297	Tappet Anti Rotation Plate		1
346 01 901	Caliper Lever - L		1
346 01 682	Roller Bearing		2
346 01 683	Caliper Lever Bearing		2
346 01 684	Half Bearing		2
346 01 745	Actuator Seal		1
346 00 470	Gasket		1
346 00 468	Caliper Adjuster Dust Boot		1
346 00 465	Caliper Small Gear Mechanism - R		1
346 00 464	Caliper Visual Indicator		1
346 01 541	Grease - 5 g		1
346 02 107 / 1	Caliper Complete Repair Set - R Without Chrome Plated Pins		

Truckexpert Nr	Description	OEM Nr	Application			
346 02 294	Caliper Repair Set		D DUCO RADIAL			
						
				346 00 338	Caliper Pin Ø 35 / 102 mm	2
				346 00 354	Pin Boot	2
				346 00 350	Pin Bolt M20 X 2 / 125 mm	2
				346 00 876	Oval Bush Ø 35 - 36 X 39 / 30 mm	2
				346 01 739	Round Bush Ø 35 X 40 / 77 mm	1
				346 01 740	Ring Ø 37 X 40 / 11 mm	2
				346 00 892	Pin Cap - Ø 40 / 18.5 mm	2
				346 00 357	Tappet Boot	2
				346 01 749	Clips	2
				346 01 748	Tappet	2
				346 01 751	Flanged Bush Ø 45 X 49 / 31 mm	2
				346 01 752	Seal	2
				346 01 750	Caliper Adjusting Mechanism -R	2
				346 01 684	Caliper Needle Bearing	2
				346 01 682	Roller Bearing	2
				346 01 683	Lever Bearing	2
				346 01 744	Adjusting Mechanism	1
				346 00 676	Rubber Cap	1
				346 01 746	Shaft Seal	1
346 01 745	Actuator Seal	1				
346 00 677	Gasket	1				
346 01 755	Intermediate Gear	1				
346 01 756	Spring (Big)	1				
346 01 757	Spring (Small)	1				
346 00 464	Caliper Visual Indicator	1				
346 00 297	Tappet Anti Rotation Plate	1				
346 01 541	Grease - 5 g	1				

346 02 294/1 Caliper Repair Set Without Chrome Plated Tappets and Pins

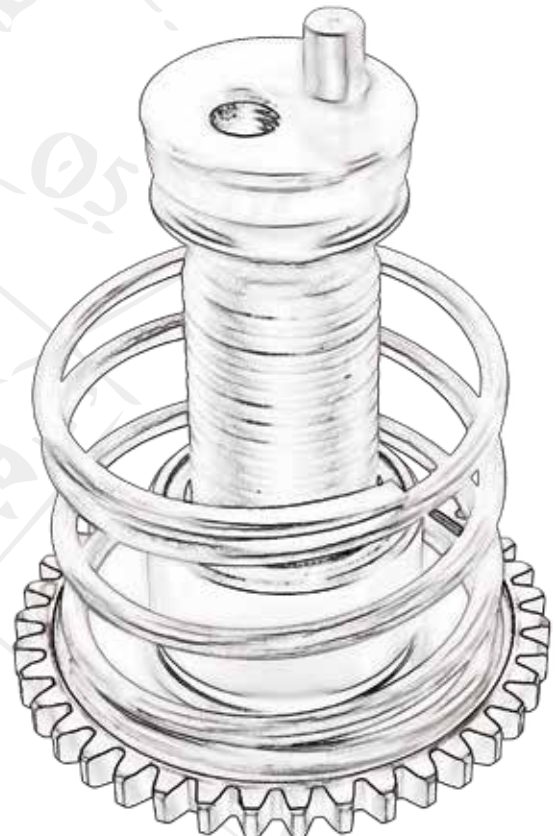
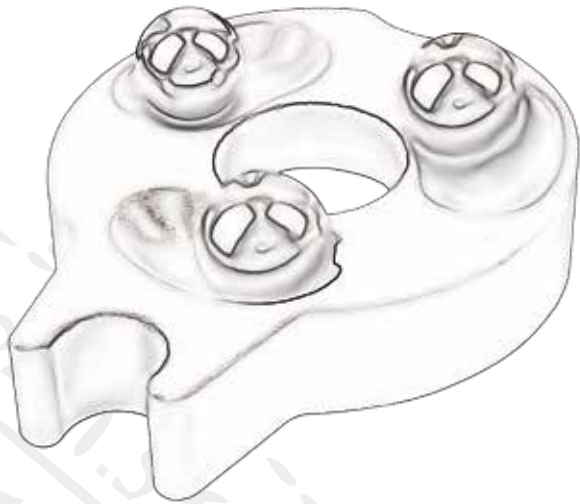


DUCO

LISA

MERITOR

LISA



Truckexpert Nr	Description	OEM Nr	Application
346 02 109	Caliper Pin Bolt & Cap Repair Kit	SJ4021	D LISA



346 00 348	Pin Bolt - M20 X 1.5 / 150 mm	1
346 01 253	Pin Bolt - M20 X 1.5 / 100 M	1
346 00 890	Pin Cap - Ø 45 / 14.5 mm	2


Truckexpert Nr	Description	OEM Nr	Application
346 00 319	Caliper Pin Repair Kit	MCK1104 SJ4076	D LISA



346 00 337	Caliper Pin	1
346 00 348	Pin Bolt - M20 X 1.5 / 150 mm	1
346 00 354	Pin Boot	2
346 00 364	Round Bush - Ø 35 X 39 / 30 mm	2
346 00 365	Caliper Pin Bush	1
346 00 368	Caliper Pin Bush	2
346 00 857	Caliper Repair Kits	1
346 00 890	Caliper Pin Cap	2
346 01 253	Pin Bolt - M20 X 1.5 / 100 mm	1
346 01 541	Grease - 5 g	1
346 01 761	Ring - Ø 37 X 47 / 12 mm	2

346 00 319/1 Caliper Pin Repair Kit Without Chrome Plated Pins

Truckexpert Nr	Description	OEM Nr	Application
346 01 909	Caliper Pin Repair Kit	SJ4052	C LISA




346 00 353	Caliper Pin Boot	2
346 00 817	Pin Bolt M18 X 1.5 / 95 mm	1
346 00 893	Caliper Pin Cap	1
346 02 001	Caliper Pin Ø 30 / 115 mm	1
346 02 002	Caliper Pin Ø 30 / 75 mm	1
346 02 003	Pin Bolt M18 X 1.5 / 135 mm	1
346 02 004	Oval Bush Ø 31 X 34 / 26 mm	1
346 02 005	Flanged Bush Ø 30 X 34 / 26 mm	2
346 02 006	Pin Cap Ø 42 / 43 mm	1
346 02 007	Caliper Pin Boot Ring Ø 32 X 42 / 12 mm	2
346 01 541	Grease - 5 g	1

Truckexpert Nr	Description	OEM Nr	Application						
346 01 918	Caliper Pin Boot Repair Kit	SJ4077	C LISA D LISA						
									
		<table border="1"> <tr> <td>346 00 353</td> <td>Caliper Dust Cover</td> <td>2</td> </tr> <tr> <td>346 00 354</td> <td>Pin Boot</td> <td>2</td> </tr> </table>	346 00 353	Caliper Dust Cover	2	346 00 354	Pin Boot	2	
346 00 353	Caliper Dust Cover	2							
346 00 354	Pin Boot	2							

Truckexpert Nr	Description	OEM Nr	Application																											
346 00 478	Caliper Boot & Seal Set	SJ4078S J4032	C LISA																											
																														
<table border="1"> <tr> <td>346 00 353</td> <td>Caliper Dust Cover</td> <td>2</td> </tr> <tr> <td>346 00 354</td> <td>Pin Boot</td> <td>2</td> </tr> <tr> <td>346 00 355</td> <td>Caliper Dust Cover</td> <td>1</td> </tr> <tr> <td>346 00 941</td> <td>Caliper Pin Bellow</td> <td>1</td> </tr> <tr> <td>346 01 762</td> <td>Gasket</td> <td>1</td> </tr> <tr> <td>346 01 763</td> <td>Adjusting O-Ring</td> <td>1</td> </tr> <tr> <td>346 01 764</td> <td>Seal - Ø 40 X 57 / 6 mm</td> <td>1</td> </tr> <tr> <td>346 01 765</td> <td>Seal - Ø 39 X 52 / 5.5 mm</td> <td>1</td> </tr> <tr> <td>346 01 766</td> <td>Shield - Ø 42 X 61,5 / 6 mm</td> <td>1</td> </tr> </table>		346 00 353	Caliper Dust Cover	2	346 00 354	Pin Boot	2	346 00 355	Caliper Dust Cover	1	346 00 941	Caliper Pin Bellow	1	346 01 762	Gasket	1	346 01 763	Adjusting O-Ring	1	346 01 764	Seal - Ø 40 X 57 / 6 mm	1	346 01 765	Seal - Ø 39 X 52 / 5.5 mm	1	346 01 766	Shield - Ø 42 X 61,5 / 6 mm	1		
346 00 353	Caliper Dust Cover	2																												
346 00 354	Pin Boot	2																												
346 00 355	Caliper Dust Cover	1																												
346 00 941	Caliper Pin Bellow	1																												
346 01 762	Gasket	1																												
346 01 763	Adjusting O-Ring	1																												
346 01 764	Seal - Ø 40 X 57 / 6 mm	1																												
346 01 765	Seal - Ø 39 X 52 / 5.5 mm	1																												
346 01 766	Shield - Ø 42 X 61,5 / 6 mm	1																												


Truckexpert Nr	Description	OEM Nr	Application																								
346 00 477	Caliper Boot & Seal Set	SJ4061	C LISA																								
																											
		<table border="1"> <tr> <td>346 00 353</td> <td>Caliper Dust Cover</td> <td>2</td> </tr> <tr> <td>346 00 355</td> <td>Caliper Dust Cover</td> <td>1</td> </tr> <tr> <td>346 00 941</td> <td>Caliper Pin Bellow</td> <td>1</td> </tr> <tr> <td>346 01 762</td> <td>Gasket</td> <td>1</td> </tr> <tr> <td>346 01 763</td> <td>Adjusting O-Ring</td> <td>1</td> </tr> <tr> <td>346 01 764</td> <td>Seal - Ø 40 X 57 / 6 mm</td> <td>1</td> </tr> <tr> <td>346 01 765</td> <td>Seal - Ø 39 X 52 / 5.5 mm</td> <td>1</td> </tr> <tr> <td>346 01 766</td> <td>Shield - Ø 42 X 61,5 / 6 mm</td> <td>1</td> </tr> </table>	346 00 353	Caliper Dust Cover	2	346 00 355	Caliper Dust Cover	1	346 00 941	Caliper Pin Bellow	1	346 01 762	Gasket	1	346 01 763	Adjusting O-Ring	1	346 01 764	Seal - Ø 40 X 57 / 6 mm	1	346 01 765	Seal - Ø 39 X 52 / 5.5 mm	1	346 01 766	Shield - Ø 42 X 61,5 / 6 mm	1	
346 00 353	Caliper Dust Cover	2																									
346 00 355	Caliper Dust Cover	1																									
346 00 941	Caliper Pin Bellow	1																									
346 01 762	Gasket	1																									
346 01 763	Adjusting O-Ring	1																									
346 01 764	Seal - Ø 40 X 57 / 6 mm	1																									
346 01 765	Seal - Ø 39 X 52 / 5.5 mm	1																									
346 01 766	Shield - Ø 42 X 61,5 / 6 mm	1																									


Truckexpert Nr	Description	OEM Nr	Application			
346 02 110	Caliper Pin Boot Repair Kit	SJ4053	C LISA			
						
<table border="1"> <tr> <td>346 00 353</td> <td>Caliper Pin Boot</td> <td style="text-align: right;">2</td> </tr> </table>				346 00 353	Caliper Pin Boot	2
346 00 353	Caliper Pin Boot	2				


Truckexpert Nr	Description	OEM Nr	Application
346 00 398	Caliper Brake Lining Plate	SJ4117	D LISA
			


Truckexpert Nr	Description	OEM Nr	Application
346 02 111	Caliper Brake Lining Plate		C LISA
			

Truckexpert Nr	Description	OEM Nr	Application
346 02 112	Caliper Lever		C LISA D LISA
			

Truckexpert Nr	Description	OEM Nr	Application
346 01 269	Caliper Bolt Set		C LISA D LISA
			
		346 02 131 Caliper Bolt - M14 x 1.5 / 90 mm	7

Truckexpert Nr	Description	OEM Nr	Application
346 00 258	Caliper Adjusting Mechanism - L	SJ4113	C LISA D LISA
			

Truckexpert Nr	Description	OEM Nr	Application
346 00 256	Caliper Adjusting Mechanism - R	SJ4114	C LISA D LISA
			


Truckexpert Nr	Description	OEM Nr	Application
346 00 476	Caliper Bearings Set	SJ4031	C LISA D LISA
			
346 01 541	Grease - 5 g	1	
346 01 769	Roller Bearing	1	
346 01 770	Thrust Bearing	1	
346 01 771	Thrust Washer	1	
346 01 772	Bush - Ø 40 X 44 / 15 mm	1	
346 01 773	Ring	1	

Truckexpert Nr	Description	OEM Nr	Application
346 02 113	Caliper Ball Bearing Set		C LISA D LISA




346 01 767	Caliper Mechanism Ball Bearing	3
-------------------	--------------------------------	---

Truckexpert Nr	Description	OEM Nr	Application
346 00 474	Caliper Spline Shaft Mechanism Set - L	MCK1021 MCK1151	C LISA D LISA



346 00 679	Caliper Spline Shaft (Left)	1
346 00 681	Caliper Bearing House (Left)	1
346 01 767	Caliper Mechanism Ball Bearing	3
346 01 768	Anti Rotation Pin	1

Truckexpert Nr	Description	OEM Nr	Application
346 00 475	Caliper Spline Shaft Mechanism Set - R	MCK1022 MCK1152	C LISA D LISA



346 00 680	Caliper Spline Shaft (Right)	1
346 00 682	Caliper Bearing House (Right)	1
346 01 767	Caliper Mechanism Ball Bearing	3
346 01 768	Anti Rotation Pin	1

Truckexpert Nr	Description	OEM Nr	Application
346 00 273	Caliper Adjusting Gear - L	SJ4073	C LISA D LISA



Truckexpert Nr	Description	OEM Nr	Application
346 00 268	Caliper Adjusting Gear - R	SJ4074	C LISA D LISA



Truckexpert Nr	Description	OEM Nr	Application
346 02 297	Brake Pad Retainer Repair Kit	SJ4022	D LISA





Truckexpert Nr	Description	OEM Nr	Application
346 02 298	Caliper Pad Spring Set	MBA101	D LISA



MERITOR

LISA

Truckexpert Nr	Description	OEM Nr	Application																																																																																										
346 01 250	Caliper Complete Repair Set - L		D LISA																																																																																										
																																																																																													
		<table border="1"> <tbody> <tr><td>346 00 857</td><td>Caliper Pin - Ø 35 / 131 mm</td><td>1</td></tr> <tr><td>346 00 337</td><td>Caliper Pin - Ø 35 / 79 mm</td><td>1</td></tr> <tr><td>346 00 348</td><td>Pin Bolt - M20 x 1.5 / 150 mm</td><td>1</td></tr> <tr><td>346 01 253</td><td>Pin Bolt - M20 x 1.5 / 100 M</td><td>1</td></tr> <tr><td>346 00 365</td><td>Oval Bush - Ø 35-36 x 39 / 47 mm</td><td>1</td></tr> <tr><td>346 00 364</td><td>Round Bush - Ø 35 x 39 / 30 mm</td><td>2</td></tr> <tr><td>346 00 368</td><td>Round Bush - Ø 35 x 41 / 30 mm</td><td>2</td></tr> <tr><td>346 01 761</td><td>Ring - Ø 37 x 47 / 12 mm</td><td>2</td></tr> <tr><td>346 00 890</td><td>Pin Cap - Ø 45 / 14.5 mm</td><td>2</td></tr> <tr><td>346 00 354</td><td>Pin Boot</td><td>2</td></tr> <tr><td>346 01 762</td><td>Gasket</td><td>1</td></tr> <tr><td>346 00 941</td><td>Adjusting Boot</td><td>1</td></tr> <tr><td>346 01 763</td><td>Adjusting O-Ring</td><td>1</td></tr> <tr><td>346 01 764</td><td>Seal - Ø 40 x 57 / 6 mm</td><td>1</td></tr> <tr><td>346 01 765</td><td>Seal - Ø 39 x 52 / 5.5 mm</td><td>1</td></tr> <tr><td>346 01 766</td><td>Shield - Ø 42 x 56 / 6 mm</td><td>1</td></tr> <tr><td>346 00 355</td><td>Tappet Boot</td><td>1</td></tr> <tr><td>346 00 258</td><td>Caliper Adjusting Mechanism - L</td><td>1</td></tr> <tr><td>346 00 273</td><td>Caliper Adjusting Gear - L</td><td>1</td></tr> <tr><td>346 00 679</td><td>Caliper Spline Shaft (Left)</td><td>1</td></tr> <tr><td>346 00 681</td><td>Caliper Bearing House (Left)</td><td>1</td></tr> <tr><td>346 01 767</td><td>Caliper Mechanism Ball Bearing</td><td>3</td></tr> <tr><td>346 01 768</td><td>Anti Rotation Pin</td><td>1</td></tr> <tr><td>346 01 769</td><td>Roller Bearing</td><td>1</td></tr> <tr><td>346 01 770</td><td>Thrust Bearing</td><td>1</td></tr> <tr><td>346 01 771</td><td>Thrust Washer</td><td>1</td></tr> <tr><td>346 01 772</td><td>Bush - Ø 40 x 44 / 15 mm</td><td>1</td></tr> <tr><td>346 01 773</td><td>Ring</td><td>1</td></tr> <tr><td>346 00 398</td><td>Caliper Brake Lining Plate</td><td>1</td></tr> <tr><td>346 01 541</td><td>Grease - 5 g</td><td>1</td></tr> </tbody> </table>	346 00 857	Caliper Pin - Ø 35 / 131 mm	1	346 00 337	Caliper Pin - Ø 35 / 79 mm	1	346 00 348	Pin Bolt - M20 x 1.5 / 150 mm	1	346 01 253	Pin Bolt - M20 x 1.5 / 100 M	1	346 00 365	Oval Bush - Ø 35-36 x 39 / 47 mm	1	346 00 364	Round Bush - Ø 35 x 39 / 30 mm	2	346 00 368	Round Bush - Ø 35 x 41 / 30 mm	2	346 01 761	Ring - Ø 37 x 47 / 12 mm	2	346 00 890	Pin Cap - Ø 45 / 14.5 mm	2	346 00 354	Pin Boot	2	346 01 762	Gasket	1	346 00 941	Adjusting Boot	1	346 01 763	Adjusting O-Ring	1	346 01 764	Seal - Ø 40 x 57 / 6 mm	1	346 01 765	Seal - Ø 39 x 52 / 5.5 mm	1	346 01 766	Shield - Ø 42 x 56 / 6 mm	1	346 00 355	Tappet Boot	1	346 00 258	Caliper Adjusting Mechanism - L	1	346 00 273	Caliper Adjusting Gear - L	1	346 00 679	Caliper Spline Shaft (Left)	1	346 00 681	Caliper Bearing House (Left)	1	346 01 767	Caliper Mechanism Ball Bearing	3	346 01 768	Anti Rotation Pin	1	346 01 769	Roller Bearing	1	346 01 770	Thrust Bearing	1	346 01 771	Thrust Washer	1	346 01 772	Bush - Ø 40 x 44 / 15 mm	1	346 01 773	Ring	1	346 00 398	Caliper Brake Lining Plate	1	346 01 541	Grease - 5 g	1	
346 00 857	Caliper Pin - Ø 35 / 131 mm	1																																																																																											
346 00 337	Caliper Pin - Ø 35 / 79 mm	1																																																																																											
346 00 348	Pin Bolt - M20 x 1.5 / 150 mm	1																																																																																											
346 01 253	Pin Bolt - M20 x 1.5 / 100 M	1																																																																																											
346 00 365	Oval Bush - Ø 35-36 x 39 / 47 mm	1																																																																																											
346 00 364	Round Bush - Ø 35 x 39 / 30 mm	2																																																																																											
346 00 368	Round Bush - Ø 35 x 41 / 30 mm	2																																																																																											
346 01 761	Ring - Ø 37 x 47 / 12 mm	2																																																																																											
346 00 890	Pin Cap - Ø 45 / 14.5 mm	2																																																																																											
346 00 354	Pin Boot	2																																																																																											
346 01 762	Gasket	1																																																																																											
346 00 941	Adjusting Boot	1																																																																																											
346 01 763	Adjusting O-Ring	1																																																																																											
346 01 764	Seal - Ø 40 x 57 / 6 mm	1																																																																																											
346 01 765	Seal - Ø 39 x 52 / 5.5 mm	1																																																																																											
346 01 766	Shield - Ø 42 x 56 / 6 mm	1																																																																																											
346 00 355	Tappet Boot	1																																																																																											
346 00 258	Caliper Adjusting Mechanism - L	1																																																																																											
346 00 273	Caliper Adjusting Gear - L	1																																																																																											
346 00 679	Caliper Spline Shaft (Left)	1																																																																																											
346 00 681	Caliper Bearing House (Left)	1																																																																																											
346 01 767	Caliper Mechanism Ball Bearing	3																																																																																											
346 01 768	Anti Rotation Pin	1																																																																																											
346 01 769	Roller Bearing	1																																																																																											
346 01 770	Thrust Bearing	1																																																																																											
346 01 771	Thrust Washer	1																																																																																											
346 01 772	Bush - Ø 40 x 44 / 15 mm	1																																																																																											
346 01 773	Ring	1																																																																																											
346 00 398	Caliper Brake Lining Plate	1																																																																																											
346 01 541	Grease - 5 g	1																																																																																											
346 01 250/1	Caliper Complete Repair Set - L Without Chrome Plated Pins																																																																																												

Truckexpert Nr	Description	OEM Nr	Application																																																																																										
346 01 251	Caliper Complete Repair Set - R		D LISA																																																																																										
																																																																																													
		<table border="1"> <tbody> <tr><td>346 00 857</td><td>Caliper Pin - Ø 35 / 131 mm</td><td>1</td></tr> <tr><td>346 00 337</td><td>Caliper Pin - Ø 35 / 79 mm</td><td>1</td></tr> <tr><td>346 00 348</td><td>Pin Bolt - M20 x 1.5 / 150 mm</td><td>1</td></tr> <tr><td>346 01 253</td><td>Pin Bolt - M20 x 1.5 / 100 M</td><td>1</td></tr> <tr><td>346 00 365</td><td>Oval Bush - Ø 35-36 x 39 / 47 mm</td><td>1</td></tr> <tr><td>346 00 364</td><td>Round Bush - Ø 35 x 39 / 30 mm</td><td>2</td></tr> <tr><td>346 00 368</td><td>Round Bush - Ø 35 x 41 / 30 mm</td><td>2</td></tr> <tr><td>346 01 761</td><td>Ring - Ø 37 x 47 / 12 mm</td><td>2</td></tr> <tr><td>346 00 890</td><td>Pin Cap - Ø 45 / 14.5 mm</td><td>2</td></tr> <tr><td>346 00 354</td><td>Pin Boot</td><td>2</td></tr> <tr><td>346 01 762</td><td>Gasket</td><td>1</td></tr> <tr><td>346 00 941</td><td>Adjusting Boot</td><td>1</td></tr> <tr><td>346 01 763</td><td>Adjusting O-Ring</td><td>1</td></tr> <tr><td>346 01 764</td><td>Seal - Ø 40 x 57 / 6 mm</td><td>1</td></tr> <tr><td>346 01 765</td><td>Seal - Ø 39 x 52 / 5.5 mm</td><td>1</td></tr> <tr><td>346 01 766</td><td>Shield - Ø 42 x 56 / 6 mm</td><td>1</td></tr> <tr><td>346 00 355</td><td>Tappet Boot</td><td>1</td></tr> <tr><td>346 00 256</td><td>Caliper Adjusting Mechanism - R</td><td>1</td></tr> <tr><td>346 00 268</td><td>Caliper Adjusting Gear - R</td><td>1</td></tr> <tr><td>346 00 680</td><td>Caliper Spline Shaft (Right)</td><td>1</td></tr> <tr><td>346 00 682</td><td>Caliper Bearing House (Right)</td><td>1</td></tr> <tr><td>346 01 767</td><td>Caliper Mechanism Ball Bearing</td><td>3</td></tr> <tr><td>346 01 768</td><td>Anti Rotation Pin</td><td>1</td></tr> <tr><td>346 01 769</td><td>Roller Bearing</td><td>1</td></tr> <tr><td>346 01 770</td><td>Thrust Bearing</td><td>1</td></tr> <tr><td>346 01 771</td><td>Thrust Washer</td><td>1</td></tr> <tr><td>346 01 772</td><td>Bush - Ø 40 x 44 / 15 mm</td><td>1</td></tr> <tr><td>346 01 773</td><td>Ring</td><td>1</td></tr> <tr><td>346 00 398</td><td>Caliper Brake Lining Plate</td><td>1</td></tr> <tr><td>346 01 541</td><td>Grease - 5 g</td><td>1</td></tr> </tbody> </table>	346 00 857	Caliper Pin - Ø 35 / 131 mm	1	346 00 337	Caliper Pin - Ø 35 / 79 mm	1	346 00 348	Pin Bolt - M20 x 1.5 / 150 mm	1	346 01 253	Pin Bolt - M20 x 1.5 / 100 M	1	346 00 365	Oval Bush - Ø 35-36 x 39 / 47 mm	1	346 00 364	Round Bush - Ø 35 x 39 / 30 mm	2	346 00 368	Round Bush - Ø 35 x 41 / 30 mm	2	346 01 761	Ring - Ø 37 x 47 / 12 mm	2	346 00 890	Pin Cap - Ø 45 / 14.5 mm	2	346 00 354	Pin Boot	2	346 01 762	Gasket	1	346 00 941	Adjusting Boot	1	346 01 763	Adjusting O-Ring	1	346 01 764	Seal - Ø 40 x 57 / 6 mm	1	346 01 765	Seal - Ø 39 x 52 / 5.5 mm	1	346 01 766	Shield - Ø 42 x 56 / 6 mm	1	346 00 355	Tappet Boot	1	346 00 256	Caliper Adjusting Mechanism - R	1	346 00 268	Caliper Adjusting Gear - R	1	346 00 680	Caliper Spline Shaft (Right)	1	346 00 682	Caliper Bearing House (Right)	1	346 01 767	Caliper Mechanism Ball Bearing	3	346 01 768	Anti Rotation Pin	1	346 01 769	Roller Bearing	1	346 01 770	Thrust Bearing	1	346 01 771	Thrust Washer	1	346 01 772	Bush - Ø 40 x 44 / 15 mm	1	346 01 773	Ring	1	346 00 398	Caliper Brake Lining Plate	1	346 01 541	Grease - 5 g	1	
346 00 857	Caliper Pin - Ø 35 / 131 mm	1																																																																																											
346 00 337	Caliper Pin - Ø 35 / 79 mm	1																																																																																											
346 00 348	Pin Bolt - M20 x 1.5 / 150 mm	1																																																																																											
346 01 253	Pin Bolt - M20 x 1.5 / 100 M	1																																																																																											
346 00 365	Oval Bush - Ø 35-36 x 39 / 47 mm	1																																																																																											
346 00 364	Round Bush - Ø 35 x 39 / 30 mm	2																																																																																											
346 00 368	Round Bush - Ø 35 x 41 / 30 mm	2																																																																																											
346 01 761	Ring - Ø 37 x 47 / 12 mm	2																																																																																											
346 00 890	Pin Cap - Ø 45 / 14.5 mm	2																																																																																											
346 00 354	Pin Boot	2																																																																																											
346 01 762	Gasket	1																																																																																											
346 00 941	Adjusting Boot	1																																																																																											
346 01 763	Adjusting O-Ring	1																																																																																											
346 01 764	Seal - Ø 40 x 57 / 6 mm	1																																																																																											
346 01 765	Seal - Ø 39 x 52 / 5.5 mm	1																																																																																											
346 01 766	Shield - Ø 42 x 56 / 6 mm	1																																																																																											
346 00 355	Tappet Boot	1																																																																																											
346 00 256	Caliper Adjusting Mechanism - R	1																																																																																											
346 00 268	Caliper Adjusting Gear - R	1																																																																																											
346 00 680	Caliper Spline Shaft (Right)	1																																																																																											
346 00 682	Caliper Bearing House (Right)	1																																																																																											
346 01 767	Caliper Mechanism Ball Bearing	3																																																																																											
346 01 768	Anti Rotation Pin	1																																																																																											
346 01 769	Roller Bearing	1																																																																																											
346 01 770	Thrust Bearing	1																																																																																											
346 01 771	Thrust Washer	1																																																																																											
346 01 772	Bush - Ø 40 x 44 / 15 mm	1																																																																																											
346 01 773	Ring	1																																																																																											
346 00 398	Caliper Brake Lining Plate	1																																																																																											
346 01 541	Grease - 5 g	1																																																																																											
346 01 251/1	Caliper Complete Repair Set - R Without Chrome Plated Pins																																																																																												

MERITOR
LISA

Truckexpert Nr	Description	OEM Nr	Application
----------------	-------------	--------	-------------



346 02 001	Caliper Pin - Ø30 / 115 mm	1
346 02 002	Caliper Pin - Ø30 / 75 mm	1
346 02 003	Pin Bolt - M18 x 1.5 / 135 mm	1
346 00 817	Pin Bolt - M18 x 1.5 / 95 mm	1
346 02 005	Plastic Bush - Ø 30 x 34 / 26 mm	2
346 02 004	Caliper Pin Oval Bush	1
346 02 007	Ring - Ø32 x 42 / 12 mm	2
346 02 006	Pin Cap - Ø42 / 43 mm	1
346 00 893	Pin Cap - Ø37 / 11 mm	1
346 00 353	Pin Boot	2
346 01 762	Gasket	1
346 00 941	Adjusting Boot	1
346 01 763	Adjusting O-Ring	1
346 01 764	Seal - Ø 40 x 57 / 6 mm	1
346 01 765	Seal - Ø 39 x 52 / 5.5 mm	1
346 01 766	Shield - Ø 42 x 56 / 6 mm	1
346 00 355	Tappet Boot	1
346 00 258	Caliper Adjusting Mechanism - L	1
346 00 273	Caliper Adjusting Gear - L	1
346 00 679	Spline Shaft - L	1
346 00 681	Bearing House - L	1
346 01 767	Ball Bearing	3
346 01 768	Anti Rotation Pin	1
346 01 769	Roller Bearing	1
346 01 770	Thrust Bearing	1
346 01 771	Thrust Washer	1
346 01 772	Bush - Ø 40 x 44 / 15 mm	1
346 01 773	Ring	1
346 02 111	Caliper Brake Lining Plate	1
346 01 541	Grease - 5 g	1

346 02 114/1 Caliper Complete Repair Set - L Without Chrome Plated Pins

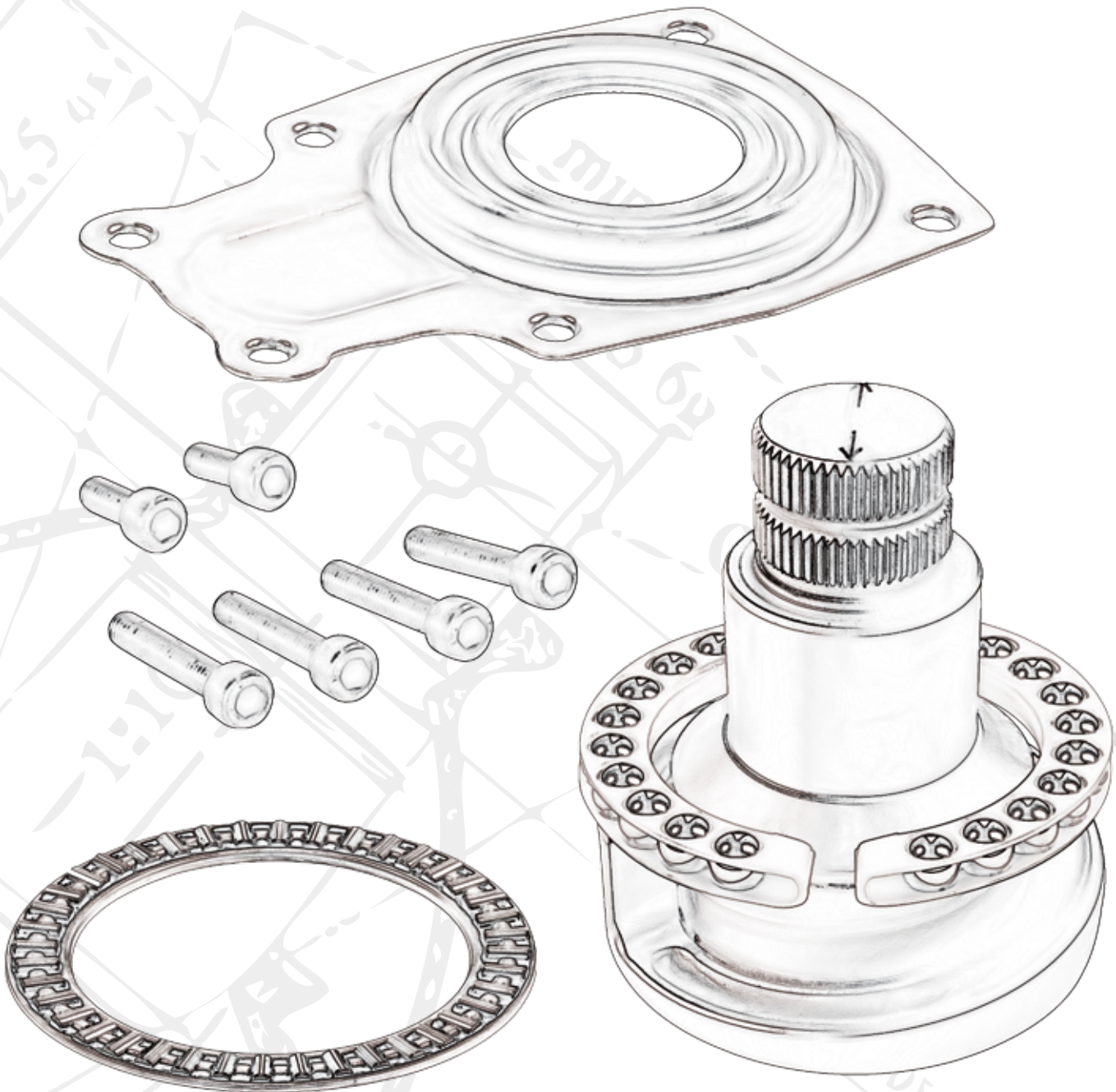
Truckexpert Nr	Description	OEM Nr	Application
----------------	-------------	--------	-------------

346 02 001	Caliper Pin - Ø30 / 115 mm	1
346 02 002	Caliper Pin - Ø30 / 75 mm	1
346 02 003	Pin Bolt - M18 x 1.5 / 135 mm	1
346 00 817	Pin Bolt - M18 x 1.5 / 95 mm	1
346 02 005	Plastic Bush - Ø 30 x 34 / 26 mm	2
346 02 004	Caliper Pin Oval Bush	1
346 02 007	Ring - Ø32 x 42 / 12 mm	2
346 02 006	Pin Cap - Ø42 / 43 mm	1
346 00 893	Pin Cap - Ø37 / 11 mm	1
346 00 353	Pin Boot	2
346 01 762	Gasket	1
346 00 941	Adjusting Boot	1
346 01 763	Adjusting O-Ring	1
346 01 764	Seal - Ø 40 x 57 / 6 mm	1
346 01 765	Seal - Ø 39 x 52 / 5.5 mm	1
346 01 766	Shield - Ø 42 x 56 / 6 mm	1
346 00 355	Tappet Boot	1
346 00 256	Caliper Adjusting Mechanism - R	1
346 00 268	Caliper Adjusting Gear - R	1
346 00 680	Spline Shaft - R	1
346 00 682	Bearing House - R	1
346 01 767	Ball Bearing	3
346 01 768	Anti Rotation Pin	1
346 01 769	Roller Bearing	1
346 01 770	Thrust Bearing	1
346 01 771	Thrust Washer	1
346 01 772	Bush - Ø 40 x 44 / 15 mm	1
346 01 773	Ring	1
346 02 111	Caliper Brake Lining Plate	1
346 01 541	Grease - 5 g	1



346 02 115/1 Caliper Complete Repair Set - R Without Chrome Plated Pins

D3



Truckexpert Nr	Description	OEM Nr	Application
----------------	-------------	--------	-------------

346 00 295 Caliper Spline Shaft Dust Cover



Truckexpert Nr	Description	OEM Nr	Application
----------------	-------------	--------	-------------

346 00 330 Caliper Spline Shaft Cover Set **SJ1212**



346 00 295	Spline Shaft Dust Cover	1
346 00 818	Bolt - M8 X 1.25 / 40 mm	4
346 01 605	Bolt - M8 X 1.25 / 16 mm	2
346 01 774	Spline Shaft Boot	1


Truckexpert Nr	Description	OEM Nr	Application
----------------	-------------	--------	-------------

346 00 307 Caliper Pin Repair Kit **SJ4011**
MCK1213



346 00 334	Caliper Pin - Ø 32 / 117 mm	1
346 00 849	Caliper Pin - Ø 32 / 73 mm	1
346 00 815	Pin Bolt - M18 x 1.5 / 117 mm	1
346 00 817	Pin Bolt - M18 x 1.5 / 92 mm	1
346 00 875	Bush - Ø 32-33 x 36 / 30 mm	1
346 00 362	Bush - Ø 32 x 36 / 40 mm	2
346 00 893	Pin Cap - Ø 34 / 12 mm	2
346 00 294	Dust Cover	2
346 00 939	Pin Boot	2
346 01 541	Grease - 5 g	1

346 00 307/1 Caliper Pin Repair Kit Without Chrome Plated Pins

Truckexpert Nr	Description	OEM Nr	Application			
346 00 641	Caliper Pin Boot Kit					
		<table border="1"> <tr> <td>346 00 939</td> <td>Caliper Pin Boot</td> <td>2</td> </tr> </table>	346 00 939	Caliper Pin Boot	2	
346 00 939	Caliper Pin Boot	2				

Truckexpert Nr	Description	OEM Nr	Application									
346 00 648	Caliper Cover & Bolts											
		<table border="1"> <tr> <td>346 00 295</td> <td>Spline Shaft Dust Cover</td> <td>1</td> </tr> <tr> <td>346 00 818</td> <td>Bolt - M8 X 1.25 / 40 mm</td> <td>4</td> </tr> <tr> <td>346 01 605</td> <td>Bolt - M8 X 1.25 / 16 mm</td> <td>2</td> </tr> </table>	346 00 295	Spline Shaft Dust Cover	1	346 00 818	Bolt - M8 X 1.25 / 40 mm	4	346 01 605	Bolt - M8 X 1.25 / 16 mm	2	
346 00 295	Spline Shaft Dust Cover	1										
346 00 818	Bolt - M8 X 1.25 / 40 mm	4										
346 01 605	Bolt - M8 X 1.25 / 16 mm	2										

Truckexpert Nr	Description	OEM Nr	Application												
346 00 646	Caliper Cover & Boots														
		<table border="1"> <tr> <td>346 00 295</td> <td>Spline Shaft Dust Cover</td> <td>1</td> </tr> <tr> <td>346 01 774</td> <td>Spline Shaft Boot</td> <td>1</td> </tr> <tr> <td>346 01 776</td> <td>Boot Plastic</td> <td>1</td> </tr> <tr> <td>346 01 777</td> <td>Rubber Cap</td> <td>1</td> </tr> </table>	346 00 295	Spline Shaft Dust Cover	1	346 01 774	Spline Shaft Boot	1	346 01 776	Boot Plastic	1	346 01 777	Rubber Cap	1	
346 00 295	Spline Shaft Dust Cover	1													
346 01 774	Spline Shaft Boot	1													
346 01 776	Boot Plastic	1													
346 01 777	Rubber Cap	1													



D3

Truckexpert Nr	Description	OEM Nr	Application
----------------	-------------	--------	-------------

346 00 276

Caliper Brake Lining Plate



Truckexpert Nr	Description	OEM Nr	Application
----------------	-------------	--------	-------------

346 00 455

Caliper Guide & Seals Repair Kit



346 00 294	Pin Dust Cover	2
346 00 815	Pin Bolt - M18 X 1.5 / 117 mm	1
346 00 345	Caliper Pin Bolt - M18 X 1,5 / 92 mm	1
346 00 849	Caliper Pin Ø 32 / 74 mm	1
346 00 850	Caliper Pin Ø 33 / 117 mm	1
346 00 875	Calliper Pin Bushing	2
346 00 893	Caliper Pin Cap	2
346 00 939	Caliper Pin Bellow	2
346 01 541	Grease - 5 g	1

346 00 455/1 Caliper Guide & Seals Repair Kit Without Chrome Plated Pins

Truckexpert Nr	Description	OEM Nr	Application
----------------	-------------	--------	-------------

346 00 308


Caliper Pin Repair Kit

SJ4001




346 00 294	Pin Dust Cover	2
346 00 334	Caliper Pin Ø 32 / 117 mm	1
346 00 815	Pin Bolt - M18 X 1.5 / 117 mm	1
346 00 345	Caliper Pin Bolt - M18 X 1,5 / 92 mm	1
346 00 849	Caliper Pin Ø 32 / 74 mm	1
346 00 893	Caliper Pin Cap	2
346 00 939	Caliper Pin Bellow	2
346 01 541	Grease - 5 g	1

346 00 308/1 Caliper Pin Repair Kit Without Chrome Plated Pins

Truckexpert Nr	Description	OEM Nr	Application
346 02 124	Caliper Spline Shaft Seal& Circlip Set		
			
346 01 778	Seal	10	
346 01 779	Circlip	10	

Truckexpert Nr	Description	OEM Nr	Application
346 02 117	Caliper Seal Set		
			
346 01 778	Seal	10	

Truckexpert Nr	Description	OEM Nr	Application
346 02 118	Caliper Circlip Set		
			
		346 01 779	Clips 10

Truckexpert Nr	Description	OEM Nr	Application
346 02 119	Caliper Calibration Ring Set		
			
346 02 195	Calibration Ring	10	


Truckexpert Nr	Description	OEM Nr	Application
346 00 647	Caliper Seal & Bush Set		
			
		346 00 650	Bush - Ø 50 X 55 / 20 mm 1
		346 01 776	Boot Plastic 1
		346 01 778	Seal 1
		346 01 779	Clips 1

Truckexpert Nr	Description	OEM Nr	Application
346 01 785	Caliper Adjusting Gear Spring		
			


Truckexpert Nr	Description	OEM Nr	Application
346 01 270	Caliper Bolt Set		
			
		346 00 805	Pin Bolt - M16 x 1.5 / 55 mm 4

Truckexpert Nr	Description	OEM Nr	Application
346 00 272	Caliper Adjusting Gear - L		
			

Truckexpert Nr	Description	OEM Nr	Application
346 00 267	Caliper Adjusting Gear - R		
			

Truckexpert Nr	Description	OEM Nr	Application
346 00 289	Thrust Bearing		
			

Truckexpert Nr	Description	OEM Nr	Application
346 00 389	Wavy Washer		
			

Truckexpert Nr	Description	OEM Nr	Application
346 00 290	Ball Bearing		
			

Truckexpert Nr	Description	OEM Nr	Application
----------------	-------------	--------	-------------

346 00 287

Bearing House - L



Truckexpert Nr	Description	OEM Nr	Application
----------------	-------------	--------	-------------

346 00 285

Bearing House - R



Truckexpert Nr	Description	OEM Nr	Application
----------------	-------------	--------	-------------

346 00 644

Spline Shaft / Front - L - (48 Teeth)

FRONT




Truckexpert Nr	Description	OEM Nr	Application
----------------	-------------	--------	-------------


346 00 645

Spline Shaft / Front - R - (48 Teeth)


FRONT



Truckexpert Nr	Description	OEM Nr	Application
346 00 278	Spline Shaft / Front - L - (26 Teeth)		FRONT
			

Truckexpert Nr	Description	OEM Nr	Application
346 00 277	Spline Shaft / Front - R - (26 Teeth)		FRONT
			

Truckexpert Nr	Description	OEM Nr	Application
346 00 280	Spline Shaft / Rear - L		REAR
			

Truckexpert Nr	Description	OEM Nr	Application
346 00 279	Spline Shaft / Rear - R		REAR
			

Truckexpert Nr	Description	OEM Nr	Application
----------------	-------------	--------	-------------

346 00 251 Caliper Repair Set / Front - L

FRONT



346 01 605	Bolt - M8 x 1.25 / 16 mm	2	346 00 649	Adjusting Gear (Small)	1
346 00 818	Bolt - M8 x 1.25 / 40 mm	4	346 01 784	Torsion Spring (Small) - L	1
346 00 295	Caliper Cover	1	346 00 651	Adjuster Bolt - M10 x 1.5 / 50 mm	1
346 01 774	Spline Shaft Boot	1	346 01 790	Wavy Washer	1
346 00 644	Spline Shaft / Front - L - (48 Teeth)	1	346 01 777	Rubber Cap	1
346 00 287	Bearing House - L	1	346 00 650	Bush - Ø 50 x 55 / 20 mm	1
346 00 272	Caliper Adjusting Gear - L	1	346 01 776	Boot Plastic	1
346 01 782	Torsion Spring Bearing	1	346 00 290	Ball Bearing	1
346 01 783	Torsion Spring (Big) - L	1	346 00 289	Thrust Bearing	1
346 01 786	Washer	4	346 00 389	Wavy Washer	1
346 01 787	Washer	3			

Truckexpert Nr	Description	OEM Nr	Application
----------------	-------------	--------	-------------


346 00 250 Caliper Repair Set / Front - R

FRONT



346 01 605	Bolt - M8 x 1.25 / 16 mm	2	346 00 649	Adjusting Gear (Small)	1
346 00 818	Bolt - M8 x 1.25 / 40 mm	4	346 01 789	Torsion Spring (Small) - R	1
346 00 295	Caliper Cover	1	346 00 651	Adjuster Bolt - M10 x 1.5 / 50 mm	1
346 01 774	Spline Shaft Boot	1	346 01 790	Wavy Washer	1
346 00 645	Spline Shaft / Front - R - (48 Teeth)	1	346 01 777	Rubber Cap	1
346 00 285	Bearing House - R	1	346 00 650	Bush - Ø 50 x 55 / 20 mm	1
346 00 267	Caliper Adjusting Gear - R	1	346 01 776	Boot Plastic	1
346 01 782	Torsion Spring Bearing	1	346 00 290	Ball Bearing	1
346 01 788	Torsion Spring (Big) - R	1	346 00 289	Thrust Bearing	1
346 01 786	Washer	4	346 00 389	Wavy Washer	1
346 01 787	Washer	3			

Truckexpert Nr	Description	OEM Nr	Application
346 02 120	Clutch System (Big) - L		
			
		346 01 782	Torsion Spring Bearing 1
		346 01 783	Torsion Spring (Big) - L 1
		346 01 786	Washer 4
		346 01 787	Washer 3

Truckexpert Nr	Description	OEM Nr	Application
346 00 652	Caliper Spring Set (Left)		
			
		346 01 783	Torsion Spring (Big) - L 1
		346 01 784	Torsion Spring (Small) - L 1

Truckexpert Nr	Description	OEM Nr	Application
346 00 654	Clutch System Repair Kit (Left)		
			
		346 00 650	Bush - Ø 50 X 55 / 20 mm 1
		346 01 782	Torsion Spring Bearing 1
		346 01 783	Torsion Spring (Big) - L 1
		346 01 784	Torsion Spring (Small) - L 1
		346 01 785	Caliper Adjusting Gear Spring 1
		346 01 786	Washer 4
		346 01 787	Washer 3




Truckexpert Nr	Description	OEM Nr	Application
346 02 121	Clutch System (Big) - R		




346 01 782	Torsion Spring Bearing	1
346 01 788	Torsion Spring (Big) - R	1
346 01 786	Washer	4
346 01 787	Washer	3

Truckexpert Nr	Description	OEM Nr	Application
346 00 653	Caliper Spring Set (Right)		



346 01 788	Torsion Spring (Big) - R	1
346 01 789	Torsion Spring (Small) - R	1

Truckexpert Nr	Description	OEM Nr	Application
346 00 655	Clutch System Repair Kit (Right)		



346 00 650	Bush - Ø 50 X 55 / 20 mm	1
346 01 782	Torsion Spring Bearing	1
346 01 785	Caliper Adjusting Gear Spring	1
346 01 786	Washer	4
346 01 787	Washer	3
346 01 788	Torsion Spring (Big) - R	1
346 01 789	Torsion Spring (Small) - R	1

MERITOR

D3

Truckexpert Nr	Description	OEM Nr	Application
----------------	-------------	--------	-------------

346 00 642

Caliper Repair Set / Front - L

FRONT



346 00 295	Spline Shaft Dust Cover	1	346 00 649	Adjusting Gear (Small)	1
346 01 774	Spline Shaft Boot	1	346 01 789	Torsion Spring (Small) - L	1
346 00 818	Bolt - M8 x 1.25 / 40 mm	4	346 00 651	Adjuster Bolt - M10 x 1.5 / 50 mm	1
346 01 605	Bolt - M8 x 1.25 / 16 mm	2	346 01 790	Wavy Washer	1
346 00 278	Spline Shaft / Front - L - (26 Teeth)	1	346 01 777	Rubber Cap	1
346 00 287	Bearing House - L	1	346 00 650	Bush - Ø 50 x 55 / 20 mm	1
346 00 272	Caliper Adjusting Gear - L	1	346 01 776	Boot Plastic	1
346 01 782	Torsion Spring Bearing	1	346 00 290	Ball Bearing	1
346 01 784	Torsion Spring (Big) - L	1	346 00 289	Thrust Bearing	1
346 01 786	Washer	4	346 00 389	Wavy Washer	1
346 01 787	Washer	3			

Truckexpert Nr	Description	OEM Nr	Application
----------------	-------------	--------	-------------

346 00 643

Caliper Repair Set / Front - R

FRONT



346 00 295	Spline Shaft Dust Cover	1	346 00 649	Adjusting Gear (Small)	1
346 01 774	Spline Shaft Boot	1	346 01 783	Torsion Spring (Small) - R	1
346 00 818	Bolt - M8 x 1.25 / 40 mm	4	346 00 651	Adjuster Bolt - M10 x 1.5 / 50 mm	1
346 01 605	Bolt - M8 x 1.25 / 16 mm	2	346 01 790	Wavy Washer	1
346 00 277	Spline Shaft / Front - R - (26 Teeth)	1	346 01 777	Rubber Cap	1
346 00 285	Bearing House - R	1	346 00 650	Bush - Ø 50 x 55 / 20 mm	1
346 00 267	Caliper Adjusting Gear - R	1	346 01 776	Boot Plastic	1
346 01 782	Torsion Spring Bearing	1	346 00 290	Ball Bearing	1
346 01 788	Torsion Spring (Big) - R	1	346 00 289	Thrust Bearing	1
346 01 786	Washer	4	346 00 389	Wavy Washer	1
346 01 787	Washer	3			

MERITOR

D3

Truckexpert Nr	Description	OEM Nr	Application
----------------	-------------	--------	-------------

346 00 657 Clutch System (Small) - R



346 00 649	Adjusting Gear (Small)	1
346 01 789	Torsion Spring (Small) - R	1
346 00 651	Adjuster Bolt - M10 x 1.5 / 50 mm	1
346 01 790	Wavy Washer	1
346 01 777	Rubber Cap	1

Truckexpert Nr	Description	OEM Nr	Application
----------------	-------------	--------	-------------

346 00 656 Clutch System (Small) - L



346 00 649	Adjusting Gear (Small)	1
346 01 784	Torsion Spring (Small) - L	1
346 00 651	Adjuster Bolt - M10 x 1.5 / 50 mm	1
346 01 790	Wavy Washer	1
346 01 777	Rubber Cap	1

Truckexpert Nr	Description	OEM Nr	Application
----------------	-------------	--------	-------------

346 00 253

Caliper Repair Set / (Rear) - L

REAR



346 00 295	Spline Shaft Dust Cover	1	346 00 649	Adjusting Gear (Small)	1
346 01 774	Spline Shaft Boot	1	346 01 784	Torsion Spring (Small) - L	1
346 00 818	Bolt - M8 x 1.25 / 40 mm	4	346 00 651	Adjuster Bolt - M10 x 1.5 / 50 mm	1
346 01 605	Bolt - M8 x 1.25 / 16 mm	2	346 01 790	Wavy Washer	1
346 00 280	Spline Shaft / Rear - L	1	346 01 777	Rubber Cap	1
346 00 287	Bearing House - L	1	346 00 650	Bush - Ø 50 x 55 / 20 mm	1
346 00 272	Caliper Adjusting Gear - L	1	346 01 776	Boot Plastic	1
346 01 782	Torsion Spring Bearing	1	346 00 290	Ball Bearing	1
346 01 783	Torsion Spring (Big) - L	1	346 00 289	Thrust Bearing	1
346 01 786	Washer	4	346 00 389	Wavy Washer	1
346 01 787	Washer	3			

Truckexpert Nr	Description	OEM Nr	Application
----------------	-------------	--------	-------------

346 00 252

Caliper Repair Set / (Rear) - R

REAR



346 00 295	Spline Shaft Dust Cover	1	346 00 649	Adjusting Gear (Small)	1
346 01 774	Spline Shaft Boot	1	346 01 789	Torsion Spring (Small) - R	1
346 00 818	Bolt - M8 x 1.25 / 40 mm	4	346 00 651	Adjuster Bolt - M10 x 1.5 / 50 mm	1
346 01 605	Bolt - M8 x 1.25 / 16 mm	2	346 01 790	Wavy Washer	1
346 00 279	Spline Shaft / Rear - R	1	346 01 777	Rubber Cap	1
346 00 285	Bearing House - R	1	346 00 650	Bush - Ø 50 x 55 / 20 mm	1
346 00 267	Caliper Adjusting Gear - R	1	346 01 776	Boot Plastic	1
346 01 782	Torsion Spring Bearing	1	346 00 290	Ball Bearing	1
346 01 788	Torsion Spring (Big) - R	1	346 00 289	Thrust Bearing	1
346 01 786	Washer	4	346 00 389	Wavy Washer	1
346 01 787	Washer	3			

Truckexpert Nr	Description	OEM Nr	Application
----------------	-------------	--------	-------------

346 02 122 Caliper Lever - (48 Teeth)



Truckexpert Nr	Description	OEM Nr	Application
----------------	-------------	--------	-------------

346 02 123 Caliper Lever - (26 Teeth)



Truckexpert Nr	Description	OEM Nr	Application
----------------	-------------	--------	-------------

346 02 300 Caliper Spring Plate Set



346 02 299 Caliper Spring Plate 10

Truckexpert Nr	Description	OEM Nr	Application
----------------	-------------	--------	-------------

346 02 382 Caliper Pad Retainer Kit



MERITOR

D3

Truckexpert Nr	Description	OEM Nr	Application
----------------	-------------	--------	-------------

346 02 376

Caliper Repair Set - Left



346 01 605	Bolt M8 X 1.25 / 16 mm	2	346 00 276	Caliper Brake Lining Plate	1
346 01 782	Torsion Spring Bearing	1	346 00 272	Caliper Adjusting Gear -L	1
346 01 783	Torsion Spring (Big) - L	1	346 00 289	Thrust Bearing	1
346 01 786	Washer	4	346 00 389	Wavy Washer	1
346 01 787	Washer	3	346 00 290	Ball Bearing	1
346 00 649	Adjusting Gear (Small)	1	346 00 644	Spline Shaft -L (48 Teeth)	1
346 01 789	Torsion Spring (Small) - R	1	346 00 287	Bearing House -L	1
346 00 651	Adjuster Bolt - M10 X 1.5 / 50 mm	1	346 00 334	Caliper Pin Ø 32 / 117 mm	1
346 01 790	Wavy Washer	1	346 00 849	Caliper Pin Ø 32 / 74 mm	1
346 01 777	Rubber Cap	1	346 00 815	Pin Bolt M18 X 1.5 / 117 mm	1
346 02 195	Calibration Ring	1	346 00 345	Caliper Pin Bolt	1
346 01 776	Boot Plastic	1	346 00 875	Bush Ø 32-33 X 36 / 30 mm	1
346 00 650	Bush - Ø 50 X 55 / 20 mm	1	346 00 362	Bush Ø 32 X 36 / 40 mm	2
346 01 778	Seal	1	346 00 893	Pin Cap Ø 37 / 11 mm	2
346 01 779	Circlip	1	346 00 294	Dust Cover	2
346 01 785	Caliper Adjusting Gear Spring	1	346 00 939	Pin Boot	2
346 02 122	Caliper Lever (48 Teeth)	1	346 00 295	Spline Shaft Dust Cover	1
346 02 299	Caliper Spring Plate	1	346 01 774	Spline Shaft Boot	1
346 01 541	Grease - 5 g	1	346 00 818	Bolt - M8 X 1.25 / 40 mm	4

346 02 376/1 Caliper Repair Set - Left Without Chrome Plated Pins

Truckexpert Nr	Description	OEM Nr	Application
----------------	-------------	--------	-------------

346 02 377

Caliper Repair Set - Right



346 00 276	Caliper Brake Lining Plate	1	346 01 605	Bolt M8 X 1.25 / 16 mm	2
346 00 267	Caliper Adjusting Gear -R	1	346 00 649	Adjusting Gear (Small)	1
346 00 289	Thrust Bearing	1	346 01 784	Torsion Spring (Small) - L	1
346 00 389	Wavy Washer	1	346 00 651	Adjuster Bolt - M10 X 1.5 / 50 mm	1
346 00 290	Ball Bearing	1	346 01 790	Wavy Washer	1
346 00 645	Spline Shaft -R (48 Teeth)	1	346 01 777	Rubber Cap	1
346 00 285	Caliper Bearing Set	1	346 01 782	Torsion Spring Bearing	1
346 00 334	Caliper Pin Ø 32 / 117 mm	1	346 01 788	Torsion Spring (Big) -R	1
346 00 849	Caliper Pin Ø 32 / 74 mm	1	346 01 786	Washer	4
346 00 815	Pin Bolt M18 X 1.5 / 117 mm	1	346 01 787	Washer	3
346 00 345	Caliper Pin Bolt	1	346 02 195	Calibration Ring	1
346 00 875	Bush Ø 32-33 X 36 / 30 mm	1	346 01 776	Boot Plastic	1
346 00 362	Bush Ø 32 X 36 / 40 mm	2	346 00 650	Bush - Ø 50 X 55 / 20 mm	1
346 00 893	Pin Cap Ø 37 / 11 mm	2	346 01 778	Seal	1
346 00 294	Dust Cover	2	346 01 779	Circlip	1
346 00 939	Pin Boot	2	346 01 785	Caliper Adjusting Gear Spring	1
346 00 295	Spline Shaft Dust Cover	1	346 02 122	Caliper Lever (48 Teeth)	1
346 01 774	Spline Shaft Boot	1	346 02 299	Caliper Spring Plate	1
346 00 818	Bolt - M8 X 1.25 / 40 mm	4	346 01 541	Grease - 5 g	1

346 02 377/1 Caliper Repair Set - Right Without Chrome Plated Pins

Truckexpert Nr	Description	OEM Nr	Application
----------------	-------------	--------	-------------

346 02 378

Caliper Repair Set - Left



346 00 276	Caliper Brake Lining Plate	1	346 01 605	Bolt M8 X 1.25 / 16 mm	2
346 00 272	Caliper Adjusting Gear -L	1	346 01 782	Torsion Spring Bearing	1
346 00 289	Thrust Bearing	1	346 01 783	Torsion Spring (Big) -L	1
346 00 389	Wavy Washer	1	346 01 786	Washer	4
346 00 290	Ball Bearing	1	346 01 787	Washer	3
346 00 278	Spline Shaft -L (26 Teeth)	1	346 00 649	Adjusting Gear (Small)	1
346 00 287	Bearing House -L	1	346 01 789	Torsion Spring (Small) - R	1
346 00 334	Caliper Pin Ø 32 / 117 mm	1	346 00 651	Adjuster Bolt - M10 X 1.5 / 50 mm	1
346 00 849	Caliper Pin Ø 32 / 74 mm	1	346 01 790	Wavy Washer	1
346 00 815	Pin Bolt M18 X 1.5 / 117 mm	1	346 01 777	Rubber Cap	1
346 00 345	Caliper Pin Bolt	1	346 02 195	Calibration Ring	1
346 00 875	Bush Ø 32-33 X 36 / 30 mm	1	346 01 776	Boot Plastic	1
346 00 362	Bush Ø 32 X 36 / 40 mm	2	346 00 650	Bush - Ø 50 X 55 / 20 mm	1
346 00 893	Pin Cap Ø 37 / 11 mm	2	346 01 778	Seal	1
346 00 294	Dust Cover	2	346 01 779	Circlip	1
346 00 939	Pin Boot	2	346 01 785	Caliper Adjusting Gear Spring	1
346 00 295	Spline Shaft Dust Cover	1	346 02 123	Caliper Lever (26 Teeth)	1
346 01 774	Spline Shaft Boot	1	346 02 299	Caliper Spring Plate	1
346 00 818	Bolt - M8 X 1.25 / 40 mm	4	346 01 541	Grease - 5 g	1

346 02 378/1 Caliper Repair Set - Left Without Chrome Plated Pins

Truckexpert Nr	Description	OEM Nr	Application
----------------	-------------	--------	-------------

346 02 379

Caliper Repair Set - Right



346 00 276	Caliper Brake Lining Plate	1	346 01 605	Bolt M8 X 1.25 / 16 mm	2
346 00 267	Caliper Adjusting Gear -R	1	346 00 649	Adjusting Gear (Small)	1
346 00 289	Thrust Bearing	1	346 01 784	Torsion Spring (Small) - L	1
346 00 389	Wavy Washer	1	346 00 651	Adjuster Bolt - M10 X 1.5 / 50 mm	1
346 00 290	Ball Bearing	1	346 01 790	Wavy Washer	1
346 00 277	Spline Shaft -R (26 Teeth)	1	346 01 777	Rubber Cap	1
346 00 285	Caliper Bearing Set	1	346 01 782	Torsion Spring Bearing	1
346 00 334	Caliper Pin Ø 32 / 117 mm	1	346 01 788	Torsion Spring (Big) -R	1
346 00 849	Caliper Pin Ø 32 / 74 mm	1	346 01 786	Washer	4
346 00 815	Pin Bolt M18 X 1.5 / 117 mm	1	346 01 787	Washer	3
346 00 345	Caliper Pin Bolt	1	346 02 195	Calibration Ring	1
346 00 875	Bush Ø 32-33 X 36 / 30 mm	1	346 01 776	Boot Plastic	1
346 00 362	Bush Ø 32 X 36 / 40 mm	2	346 00 650	Bush - Ø 50 X 55 / 20 mm	1
346 00 893	Pin Cap Ø 37 / 11 mm	2	346 01 778	Seal	1
346 00 294	Dust Cover	2	346 01 779	Circlip	1
346 00 939	Pin Boot	2	346 01 785	Caliper Adjusting Gear Spring	1
346 00 295	Spline Shaft Dust Cover	1	346 02 123	Caliper Lever (26 Teeth)	1
346 01 774	Spline Shaft Boot	1	346 02 299	Caliper Spring Plate	1
346 00 818	Bolt - M8 X 1.25 / 40 mm	4	346 01 541	Grease - 5 g	1

346 02 379/1 Caliper Repair Set - Right Without Chrome Plated Pins

Truckexpert Nr	Description	OEM Nr	Application
346 02 380	Caliper Repair Set - Left		



MERITOR

D3

346 00 276	Caliper Brake Lining Plate	1	346 01 605	Bolt M8 X 1.25 / 16 mm	2
346 00 272	Caliper Adjusting Gear -L	1	346 01 782	Torsion Spring Bearing	1
346 00 289	Thrust Bearing	1	346 01 783	Torsion Spring (Big) -L	1
346 00 389	Wavy Washer	1	346 01 786	Washer	4
346 00 290	Ball Bearing	1	346 01 787	Washer	3
346 00 287	Bearing House -L	1	346 00 649	Adjusting Gear (Small)	1
346 00 280	Spline Shaft -L (26 Teeth)	1	346 01 789	Torsion Spring (Small) - R	1
346 00 334	Caliper Pin Ø 32 / 117 mm	1	346 00 651	Adjuster Bolt - M10 X 1.5 / 50 mm	1
346 00 849	Caliper Pin Ø 32 / 74 mm	1	346 01 790	Wavy Washer	1
346 00 815	Pin Bolt M18 X 1.5 / 117 mm	1	346 01 777	Rubber Cap	1
346 00 345	Caliper Pin Bolt	1	346 02 195	Calibration Ring	1
346 00 875	Bush Ø 32-33 X 36 / 30 mm	1	346 01 776	Boot Plastic	1
346 00 362	Bush Ø 32 X 36 / 40 mm	2	346 00 650	Bush - Ø 50 X 55 / 20 mm	1
346 00 893	Pin Cap Ø 37 / 11 mm	2	346 01 778	Seal	1
346 00 294	Dust Cover	2	346 01 779	Circlip	1
346 00 939	Pin Boot	2	346 01 785	Caliper Adjusting Gear Spring	1
346 00 295	Spline Shaft Dust Cover	1	346 02 123	Caliper Lever (26 Teeth)	1
346 01 774	Spline Shaft Boot	1	346 02 299	Caliper Spring Plate	1
346 00 818	Bolt - M8 X 1.25 / 40 mm	4	346 01 541	Grease - 5 g	1

346 02 380/1 Caliper Repair Set - Left Without Chrome Plated Pins

Truckexpert Nr	Description	OEM Nr	Application
----------------	-------------	--------	-------------

346 02 381

Caliper Repair Set - Right



346 00 276	Caliper Brake Lining Plate	1	346 01 605	Bolt M8 X 1.25 / 16 mm	2
346 00 267	Caliper Adjusting Gear -R	1	346 00 649	Adjusting Gear (Small)	1
346 00 289	Thrust Bearing	1	346 01 784	Torsion Spring (Small) - L	1
346 00 389	Wavy Washer	1	346 00 651	Adjuster Bolt - M10 X 1.5 / 50 mm	1
346 00 290	Ball Bearing	1	346 01 790	Wavy Washer	1
346 00 285	Caliper Bearing Set	1	346 01 777	Rubber Cap	1
346 00 279	Spline Shaft -R (26 Teeth)	1	346 01 782	Torsion Spring Bearing	1
346 00 334	Caliper Pin Ø 32 / 117 mm	1	346 01 788	Torsion Spring (Big) -R	1
346 00 849	Caliper Pin Ø 32 / 74 mm	1	346 01 786	Washer	4
346 00 815	Pin Bolt M18 X 1.5 / 117 mm	1	346 01 787	Washer	3
346 00 345	Caliper Pin Bolt	1	346 02 195	Calibration Ring	1
346 00 875	Bush Ø 32-33 X 36 / 30 mm	1	346 01 776	Boot Plastic	1
346 00 362	Bush Ø 32 X 36 / 40 mm	2	346 00 650	Bush - Ø 50 X 55 / 20 mm	1
346 00 893	Pin Cap Ø 37 / 11 mm	2	346 01 778	Seal	1
346 00 294	Dust Cover	2	346 01 779	Circlip	1
346 00 939	Pin Boot	2	346 01 785	Caliper Adjusting Gear Spring	1
346 00 295	Spline Shaft Dust Cover	1	346 02 123	Caliper Lever (26 Teeth)	1
346 01 774	Spline Shaft Boot	1	346 02 299	Caliper Spring Plate	1
346 00 818	Bolt - M8 X 1.25 / 40 mm	4	346 01 541	Grease - 5 g	1

346 02 381/1 Caliper Repair Set - Right Without Chrome Plated Pins

CARRIERS

MERITOR

CARRIERS



Truckexpert Nr	Description	OEM Nr	Application
346 02 394	Caliper Carrier 22,5"	MCK1297 MCK1322 85109886 5001866384	ELSA 225

Truckexpert Nr	Description	OEM Nr	Application
346 02 395	Caliper Carrier 22,5"	68322778 1489072 3092253	D DUCO

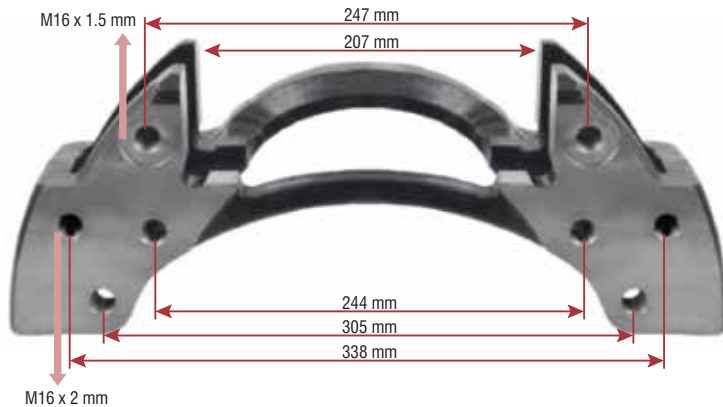
Truckexpert Nr	Description	OEM Nr	Application
346 02 396	Caliper Carrier 22,5"	68323673 68323675 68323676 MAN 35.50307.5526	ELSA 2

Truckexpert Nr	Description	OEM Nr	Application
346 02 397	Caliper Carrier 19,5"	MCK1252 DAF 883186	ELSA 195

Truckexpert Nr	Description	OEM Nr	Application
346 02 398	Caliper Carrier 22,5"	BDA443	D3 REAR



Truckexpert Nr	Description	OEM Nr	Application
346 02 399	Caliper Carrier 19,5"		DX195 ROR Trailer Axle



Truckexpert Nr	Description	OEM Nr	Application
346 02 400	Caliper Carrier 19,5"	68323539	C DUCO





WABCO

WABCO

www.Lkwexpert.com

Truckexpert Nr	Description	OEM Nr	Application
----------------	-------------	--------	-------------

346 00 764

Caliper Boot Set

PAN 17



346 01 215	Tappet Boot	1
346 00 221	Pin Boot	2

Truckexpert Nr	Description	OEM Nr	Application
----------------	-------------	--------	-------------

346 01 429

Caliper Boot & Pin Cap Set

PAN 17



346 00 895	Pin Cap - Ø 34 / 17 mm	2
346 01 215	Tappet Boot	1
346 00 221	Pin Boot	2

Truckexpert Nr	Description	OEM Nr	Application
----------------	-------------	--------	-------------

346 01 145

Caliper Boot & Pin Repair Kit

PAN 17



346 01 541	Grease - 5 g	1
346 00 221	Pin Boot	2
346 01 215	Tappet Boot	1
346 00 895	Pin Cap - Ø 34 / 17 mm	2
346 00 225	Pin Bush - Ø 30 X 34 / 20 mm	2
346 00 872	Pin Bush - Ø 30 X 34 / 25 mm	1
346 00 860	Caliper Pin - Ø 30 / 91 mm	1
346 00 861	Caliper Pin - Ø 30 / 77 mm	1

346 01 145/1 Caliper Boot & Pin Repair Kit Without Chrome Plated Pins

Truckexpert Nr	Description	OEM Nr	Application
346 00 197	Caliper Boot & Pin Bush Set		PAN 17



346 00 221	Pin Boot	2
346 01 215	Tappet Boot	1
346 00 225	Pin Bush - Ø 30 X 34 / 20 mm	2
346 00 872	Pin Bush - Ø 30 X 34 / 25 mm	1
346 00 895	Pin Cap - Ø 34 / 17 mm	2

346 00 197/1 Caliper Boot & Pin Bush Set Without Chrome Plated Pins

Truckexpert Nr	Description	OEM Nr	Application
346 00 194	Caliper Boot & Pin Repair Kit	12 999 699 12 999 702	PAN 17



346 00 221	Pin Boot	2
346 01 215	Tappet Boot	1
346 00 225	Pin Bush - Ø 30 X 34 / 20 mm	2
346 00 808	Pin Bolt - M16 X 1.5 / 90 mm	1
346 00 821	Pin Bolt - M16 X 1.5 / 70 mm	1
346 00 860	Caliper Pin - Ø 30 / 91 mm	1
346 00 861	Caliper Pin - Ø 30 / 77 mm	1
346 00 872	Pin Bush - Ø 30 X 34 / 25 mm	1
346 00 895	Pin Cap - Ø 34 / 17 mm	2
346 01 541	Grease - 5 g	1

346 00 194/1 Caliper Boot & Pin Repair Kit Without Chrome Plated Pins

WABCO
17.5"

Truckexpert Nr	Description	OEM Nr	Application
346 00 206	Caliper Boot & Bolt Set	12 999 580	PAN 17



346 00 221	Pin Boot	2
346 01 215	Tappet Boot	1
346 00 225	Pin Bush - Ø 30 X 34 / 20 mm	2
346 00 808	Pin Bolt - M16 X 1.5 / 90 mm	1
346 00 821	Pin Bolt - M16 X 1.5 / 70 mm	1
346 00 872	Pin Bush - Ø 30 X 34 / 25 mm	1
346 00 895	Pin Cap - Ø 34 / 17 mm	2
346 01 614	Caliper Head Cap	1
346 01 615	Caliper Head Gasket	1
346 01 616	Caliper Head Seal	1
346 01 149	Caliper Head Seal	1
346 01 617	Caliper Head Bolt - M10 X 1 / 40 mm	8

346 00 206/1 Caliper Boot & Bolt Set Without Chrome Plated Pins

Truckexpert Nr	Description	OEM Nr	Application
346 00 196	Caliper Boot & Pin Bolt Repair Kit	12 999 704	PAN 17



346 00 221	Pin Boot	2
346 01 215	Tappet Boot	1
346 00 225	Pin Bush - Ø 30 X 34 / 20 mm	2
346 00 808	Pin Bolt - M16 X 1.5 / 90 mm	1
346 00 821	Pin Bolt - M16 X 1.5 / 70 mm	1
346 00 895	Pin Cap - Ø 34 / 17 mm	2
346 00 872	Pin Bush - Ø 30 X 34 / 25 mm	1

346 00 196/1 Caliper Boot & Pin Bolt Repair Kit Without Chrome Plated Pins

Truckexpert Nr	Description	OEM Nr	Application
346 00 207	Caliper Head Gasket Set		PAN 17



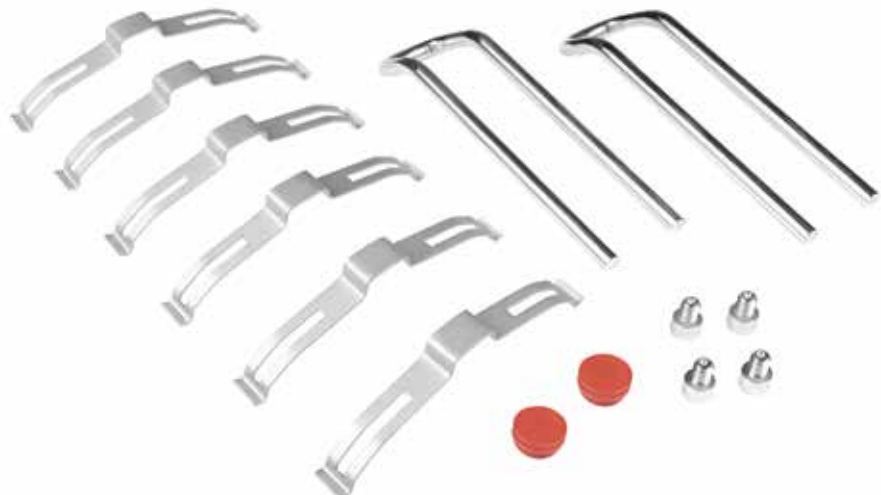
346 01 614	Caliper Head Cap	1
346 01 615	Caliper Head Gasket	1
346 01 616	Caliper Head Seal	1
346 01 149	Caliper Head Seal	1

Truckexpert Nr	Description	OEM Nr	Application
346 00 205	Adjusting Mechanism Washer & Spring Set		PAN 17



346 01 621	Adjusting Spring	1
346 01 623	Locker Ring	1
346 01 624	Bevel Washer	1
346 01 625	Washer	1
346 01 626	Bottom Washer	1
346 01 627	Clips	1

Truckexpert Nr	Description	OEM Nr	Application
346 01 417	Brake Pad Retainer Set		PAN 17



Truckexpert Nr	Description	OEM Nr	Application
346 01 577	Pin Cap - Ø 34 / 38 mm		PAN 17



Truckexpert Nr	Description	OEM Nr	Application
346 01 148	Caliper Boot & Pin Cap Set		PAN 17



346 01 577	Pin Cap - Ø 34 / 38 mm	1
346 00 895	Pin Cap - Ø 34 / 17 mm	1
346 01 215	Tappet Boot	1
346 00 221	Pin Boot	2

Truckexpert Nr	Description	OEM Nr	Application
346 01 147	Caliper Pin Repair Kit		PAN 17



346 01 617	Caliper Head Bolt - M10 X 1 / 40 mm	8
346 00 808	Pin Bolt - M16 X 1.5 / 90 mm	1
346 00 860	Caliper Pin - Ø 30 / 91 mm	1
346 00 861	Caliper Pin - Ø 30 / 77 mm	1
346 00 821	Pin Bolt - M16 X 1.5 / 70 mm	1

346 01 147/1 Caliper Pin Repair Kit Without Chrome Plated Pins

WABCO
17.5"

Truckexpert Nr	Description	OEM Nr	Application
346 01 620	Roller Bearing		PAN 17



Truckexpert Nr	Description	OEM Nr	Application
346 00 187	Caliper Needle Bearing Set		PAN 17




346 01 620 Roller Bearing 2


Truckexpert Nr	Description	OEM Nr	Application
346 00 721	Caliper Lever		PAN 17




Truckexpert Nr	Description	OEM Nr	Application
346 00 212	Calibration Bolt - (With Pin) - 87 mm		PAN 17



Truckexpert Nr	Description	OEM Nr	Application
346 00 765	Shaft Housing - (Thin)		PAN 17




Truckexpert Nr	Description	OEM Nr	Application
346 01 008	Caliper Complete Mechanism Set - (With Pin)		PAN 17



346 01 622	Torsion Spring	1
346 01 628	Mechanism Slot - 110 mm	1
346 01 629	Torsion Spring Ring (Thick)	1
346 01 630	Torsion Spring Ring (Thin)	1
346 00 212	Calibration Bolt - (With Pin) - 87 mm	1
346 00 765	Shaft Housing - (Thin)	1
346 01 621	Adjusting Spring	1
346 01 623	Locker Ring	1
346 01 624	Bevel Washer	1
346 01 625	Washer	1
346 01 626	Bottom Washer	1
346 01 627	Clips	1

Truckexpert Nr	Description	OEM Nr	Application
346 00 711	Caliper Adjusting Mechanism Set - (With Pin)		PAN 17




346 01 622	Torsion Spring	1
346 01 628	Mechanism Slot - 110 mm	1
346 00 212	Calibration Bolt - (With Pin) - 87 mm	1
346 01 629	Torsion Spring Ring (Thick)	1
346 01 630	Torsion Spring Ring (Thin)	1
346 01 621	Adjusting Spring	1
346 01 624	Bevel Washer	1
346 01 625	Washer	1
346 01 626	Bottom Washer	1
346 01 623	Locker Ring	1
346 01 627	Clips	1


WABCO

17.5"


Truckexpert Nr	Description	OEM Nr	Application
346 00 213	Calibration Bolt - (With Groove) - 87 mm		PAN 17



Truckexpert Nr	Description	OEM Nr	Application
346 00 765	Shaft Housing - (Thin)		PAN 17




Truckexpert Nr	Description	OEM Nr	Application
346 01 009	Caliper Adjusting Mechanism Set - (With Groove)		PAN 17



346 01 622	Torsion Spring	1
346 01 628	Mechanism Slot - 110 mm	1
346 01 629	Torsion Spring Ring (Thick)	1
346 01 630	Torsion Spring Ring (Thin)	1
346 00 213	Calibration Bolt - (With Groove) - 87 mm	1
346 00 765	Shaft Housing - (Thin)	1
346 01 621	Adjusting Spring	1
346 01 623	Locker Ring	1
346 01 624	Bevel Washer	1
346 01 625	Washer	1
346 01 626	Bottom Washer	1
346 01 627	Clips	1

Truckexpert Nr	Description	OEM Nr	Application
346 00 176	Caliper Adjusting Mechanism Set - (With Groove)		PAN 17



346 01 621	Adjusting Spring	1
346 01 623	Locker Ring	1
346 01 624	Bevel Washer	1
346 01 625	Washer	1
346 01 626	Bottom Washer	1
346 01 627	Clips	1
346 00 213	Calibration Bolt - (With Groove) - 87 mm	1
346 01 628	Mechanism Slot - 110 mm	1
346 01 622	Torsion Spring	1
346 01 629	Torsion Spring Ring (Thick)	1
346 01 630	Torsion Spring Ring (Thin)	1

Truckexpert Nr	Description	OEM Nr	Application
346 00 184	Brake Lining Plate (With Groove) - L		PAN 17



Truckexpert Nr	Description	OEM Nr	Application
346 00 180	Brake Lining Plate (With Groove) - R		PAN 17



Truckexpert Nr	Description	OEM Nr	Application
346 00 173	Brake Caliper Repair Set		PAN 17




346 00 212	Calibration Bolt - (With Pin) - 87 mm	1
346 00 221	Pin Boot	2
346 00 225	Pin Bush - Ø 30 X 34 / 20 mm	2
346 00 808	Pin Bolt - M16 X 1.5 / 90 mm	1
346 00 821	Pin Bolt - M16 X 1.5 / 70 mm	1
346 00 860	Caliper Pin - Ø 30 / 91 mm	1
346 00 861	Caliper Pin - Ø 30 / 77 mm	1
346 00 872	Pin Bush - Ø 30 X 34 / 25 mm	1
346 00 895	Pin Cap - Ø 34 / 17 mm	2
346 01 215	Tappet Boot	1
346 01 621	Adjusting Spring	1
346 01 622	Torsion Spring	1
346 01 623	Locker Ring	1
346 01 624	Bevel Washer	1
346 01 625	Washer	1
346 01 626	Bottom Washer	1
346 01 627	Clips	1
346 01 628	Mechanism Slot - 110 mm	1
346 01 629	Torsion Spring Ring (Thick)	1
346 01 630	Torsion Spring Ring (Thin)	1
346 01 541	Grease - 5 g	1

346 00 173/1 Brake Caliper Repair Set Without Chrome Plated Pins


WABCO

17.5"

Truckexpert Nr	Description	OEM Nr	Application
346 00 183	Brake Lining Plate (With Pin) - L		PAN 17



Truckexpert Nr	Description	OEM Nr	Application
346 00 179	Brake Lining Plate (With Pin) - R		PAN 17



Truckexpert Nr	Description	OEM Nr	Application
346 00 174	Brake Caliper Repair Set		PAN 17



346 00 213	Calibration Bolt - (With Groove) - 87mm	1
346 00 221	Pin Boot	2
346 00 225	Pin Bush - Ø 30 X 34 / 20 mm	2
346 00 808	Pin Bolt - M16 X 1.5 / 90 mm	1
346 00 821	Pin Bolt - M16 X 1.5 / 70 mm	1
346 00 860	Caliper Pin - Ø 30 / 91 mm	1
346 00 861	Caliper Pin - Ø 30 / 77 mm	1
346 00 872	Pin Bush - Ø 30 X 34 / 25 mm	1
346 00 895	Pin Cap - Ø 34 / 17 mm	2
346 01 215	Tappet Boot	1
346 01 621	Adjusting Spring	1
346 01 622	Torsion Spring	1
346 01 623	Locker Ring	1
346 01 624	Bevel Washer	1
346 01 625	Washer	1
346 01 626	Bottom Washer	1
346 01 627	Clips	1
346 01 628	Mechanism Slot - 110 mm	1
346 01 629	Torsion Spring Ring (Thick)	1
346 01 630	Torsion Spring Ring (Thin)	1
346 01 541	Grease - 5 g	1

346 00 174/1 Brake Caliper Repair Set Without Chrome Plated Pins



17.5"

WABCO

17.5"

Truckexpert Nr	Description	OEM Nr	Application
----------------	-------------	--------	-------------

346 01 406 Caliper Complete Repair Set (With Pin) - R

PAN 17

346 00 221	Pin Boot	2
346 01 215	Tappet Boot	1
346 00 225	Pin Bush - Ø 30 X 34 / 20 mm	2
346 00 808	Pin Bolt - M16 X 1.5 / 90 mm	1
346 00 821	Pin Bolt - M16 X 1.5 / 70 mm	1
346 00 860	Caliper Pin - Ø 30 / 91 mm	1
346 00 861	Caliper Pin - Ø 30 / 77 mm	1
346 00 872	Pin Bush - Ø 30 X 34 / 25 mm	1
346 00 895	Pin Cap - Ø 34 / 17 mm	2
346 00 180	Brake Lining Plate (With Groove) - R	1
346 01 622	Torsion Spring	1
346 01 628	Mechanism Slot - 110 mm	1
346 01 629	Torsion Spring Ring (Thick)	1
346 01 630	Torsion Spring Ring (Thin)	1
346 00 212	Calibration Bolt - (With Pin) - 76 mm	1
346 01 621	Adjusting Spring	1
346 01 624	Bevel Washer	1
346 01 625	Washer	1
346 01 626	Bottom Washer	1
346 01 623	Locker Ring	1
346 01 627	Clips	1
346 00 765	Shaft Housing - (Thin)	1
346 01 620	Roller Bearing	2
346 01 618	Lever	1
346 01 614	Caliper Head Cap	1
346 01 615	Caliper Head Gasket	1
346 01 616	Caliper Head Seal	1
346 01 149	Caliper Head Seal	1
346 01 617	Caliper Head Bolt - M10 X 1 / 40 mm	8
346 01 541	Grease - 5 g	1



346 01 406/1 Caliper Complete Repair Set (With Pin) - R Without Chrome Plated Pins

Truckexpert Nr	Description	OEM Nr	Application
----------------	-------------	--------	-------------

346 01 407 Caliper Complete Repair Set (With Pin) - L


PAN 17



346 00 221	Pin Boot	2
346 01 215	Tappet Boot	1
346 00 225	Pin Bush - Ø 30 X 34 / 20 mm	2
346 00 808	Pin Bolt - M16 X 1.5 / 90 mm	1
346 00 821	Pin Bolt - M16 X 1.5 / 70 mm	1
346 00 860	Caliper Pin - Ø 30 / 91 mm	1
346 00 861	Caliper Pin - Ø 30 / 77 mm	1
346 00 872	Pin Bush - Ø 30 X 34 / 25 mm	1
346 00 895	Pin Cap - Ø 34 / 17 mm	2
346 00 184	Brake Lining Plate (With Groove) - L	1
346 01 622	Torsion Spring	1
346 01 628	Mechanism Slot - 110 mm	1
346 01 629	Torsion Spring Ring (Thick)	1
346 01 630	Torsion Spring Ring (Thin)	1
346 00 212	Calibration Bolt - (With Pin) - 76 mm	1
346 01 621	Adjusting Spring	1
346 01 624	Bevel Washer	1
346 01 625	Washer	1
346 01 626	Bottom Washer	1
346 01 623	Locker Ring	1
346 01 627	Clips	1
346 00 765	Shaft Housing - (Thin)	1
346 01 620	Roller Bearing	2
346 01 618	Lever	1
346 01 614	Caliper Head Cap	1
346 01 615	Caliper Head Gasket	1
346 01 616	Caliper Head Seal	1
346 01 149	Caliper Head Seal	1
346 01 617	Caliper Head Bolt - M10 X 1 / 40 mm	8
346 01 541	Grease - 5 g	1


346 01 407/1 Caliper Complete Repair Set (With Pin) - L Without Chrome Plated Pins

Truckexpert Nr	Description	OEM Nr	Application
346 01 468	Caliper Complete Repair Set (Whith Groove) - R		PAN 17
346 00 221	Pin Boot	2	
346 01 215	Tappet Boot	1	
346 00 225	Pin Bush - Ø 30 X 34 / 20 mm	2	
346 00 808	Pin Bolt - M16 X 1.5 / 90 mm	1	
346 00 821	Pin Bolt - M16 X 1.5 / 70 mm	1	
346 00 860	Caliper Pin - Ø 30 / 91 mm	1	
346 00 861	Caliper Pin - Ø 30 / 77 mm	1	
346 00 872	Pin Bush - Ø 30 X 34 / 25 mm	1	
346 00 895	Pin Cap - Ø 34 / 17 mm	2	
346 00 179	Brake Lining Plate (With Pin) - R	1	
346 01 621	Adjusting Spring	1	
346 01 623	Locker Ring	1	
346 01 624	Bevel Washer	1	
346 01 625	Washer	1	
346 01 626	Bottom Washer	1	
346 01 627	Clips	1	
346 00 213	Calibration Bolt - (With Groove) - 76 mm	1	
346 01 622	Torsion Spring	1	
346 01 628	Mechanism Slot - 110 mm	1	
346 01 629	Torsion Spring Ring (Thick)	1	
346 01 630	Torsion Spring Ring (Thin)	1	
346 00 765	Shaft Housing - (Thin)	1	
346 01 620	Roller Bearing	2	
346 01 618	Lever	1	
346 01 614	Caliper Head Cap	1	
346 01 615	Caliper Head Gasket	1	
346 01 616	Caliper Head Seal	1	
346 01 149	Caliper Head Seal	1	
346 01 617	Caliper Head Bolt - M10 X 1 / 40 mm	8	
346 01 541	Grease - 5 g	1	



346 01 468/1 Caliper Complete Repair Set (With Groove)-R Without Chrome Plated Pins

Truckexpert Nr	Description	OEM Nr	Application
346 01 474	Caliper Complete Repair Set (With Groove) - L		PAN 17
346 00 221	Pin Boot	2	
346 01 215	Tappet Boot	1	
346 00 225	Pin Bush - Ø 30 X 34 / 20 mm	2	
346 00 808	Pin Bolt - M16 X 1.5 / 90 mm	1	
346 00 821	Pin Bolt - M16 X 1.5 / 70 mm	1	
346 00 860	Caliper Pin - Ø 30 / 91 mm	1	
346 00 861	Caliper Pin - Ø 30 / 77 mm	1	
346 00 872	Pin Bush - Ø 30 X 34 / 25 mm	1	
346 00 895	Pin Cap - Ø 34 / 17 mm	2	
346 00 183	Brake Lining Plate (With Pin) - L	1	
346 01 621	Adjusting Spring	1	
346 01 623	Locker Ring	1	
346 01 624	Bevel Washer	1	
346 01 625	Washer	1	
346 01 626	Bottom Washer	1	
346 01 627	Clips	1	
346 00 213	Calibration Bolt - (With Groove) - 76 mm	1	
346 01 622	Torsion Spring	1	
346 01 628	Mechanism Slot - 110 mm	1	
346 01 629	Torsion Spring Ring (Thick)	1	
346 01 630	Torsion Spring Ring (Thin)	1	
346 00 765	Shaft Housing - (Thin)	1	
346 01 620	Roller Bearing	2	
346 01 618	Lever	1	
346 01 614	Caliper Head Cap	1	
346 01 615	Caliper Head Gasket	1	
346 01 616	Caliper Head Seal	1	
346 01 149	Caliper Head Seal	1	
346 01 617	Caliper Head Bolt - M10 X 1 / 40 mm	8	
346 01 541	Grease - 5 g	1	



346 01 474/1 Caliper Complete Repair Set (With Groove)-L Without Chrome Plated Pins



Truckexpert Nr	Description	OEM Nr	Application
----------------	-------------	--------	-------------

346 00 713 Caliper Adjusting Mechanism Set - (With Groove)

PAN 17



346 00 213	Calibration Bolt - (With Groove) - 87 mm	1
346 01 622	Torsion Spring	1
346 01 628	Mechanism Slot - 110 mm	1
346 01 629	Torsion Spring Ring (Thick)	1
346 01 630	Torsion Spring Ring (Thin)	1

Truckexpert Nr	Description	OEM Nr	Application
----------------	-------------	--------	-------------

346 00 727 Adjusting Mechanism Spring Set

PAN 17



346 01 619	Spring	2
346 01 621	Adjusting Spring	1
346 01 622	Torsion Spring	1
346 01 623	Locker Ring	1

Truckexpert Nr	Description	OEM Nr	Application
----------------	-------------	--------	-------------

346 00 177 Caliper Adjusting Mechanism Set - (With Pin)

PAN 17



346 01 622	Torsion Spring	1
346 01 628	Mechanism Slot - 110 mm	1
346 01 629	Torsion Spring Ring (Thick)	1
346 01 630	Torsion Spring Ring (Thin)	1
346 00 212	Calibration Bolt - (With Pin) - 87 mm	1

Truckexpert Nr	Description	OEM Nr	Application
----------------	-------------	--------	-------------

346 00 192 Caliper Pin Repair Kit

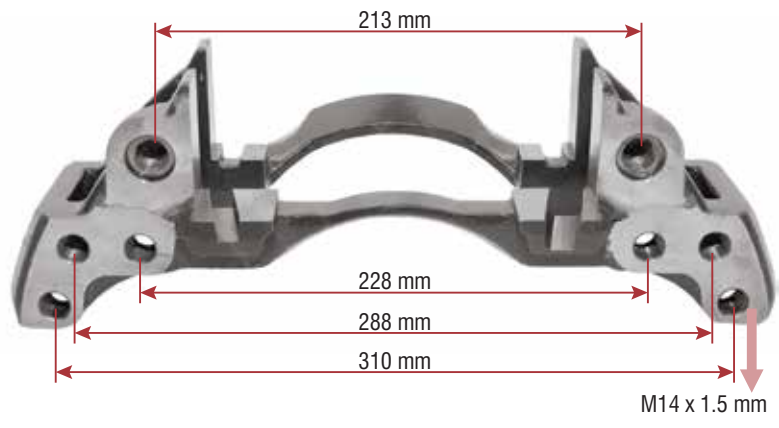
PAN 17



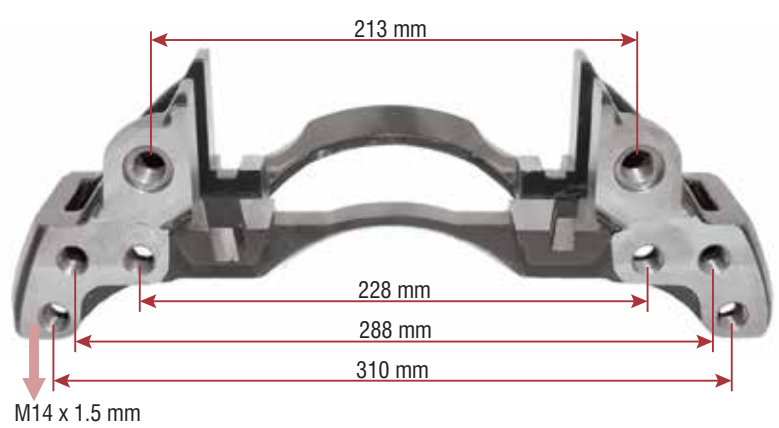
346 00 225	Pin Bush - Ø 30 X 34 / 20 mm	3
346 00 808	Pin Bolt - M16 X 1.5 / 90 mm	1
346 00 821	Pin Bolt - M16 X 1.5 / 70 mm	1
346 00 860	Caliper Pin - Ø 30 / 91 mm	1
346 00 861	Caliper Pin - Ø 30 / 77 mm	1
346 00 872	Pin Bush - Ø 30 X 34 / 25 mm	1
346 01 617	Caliper Head Bolt - M10 X 1 / 40 mm	8

346 00 192/1 Caliper Pin Repair Kit Without Chrome Plated Pins

Truckexpert Nr	Description	OEM Nr	Application
346 01 984	Caliper Carrier Right		PAN 17



Truckexpert Nr	Description	OEM Nr	Application
346 01 983	Caliper Carrier Left		PAN 17

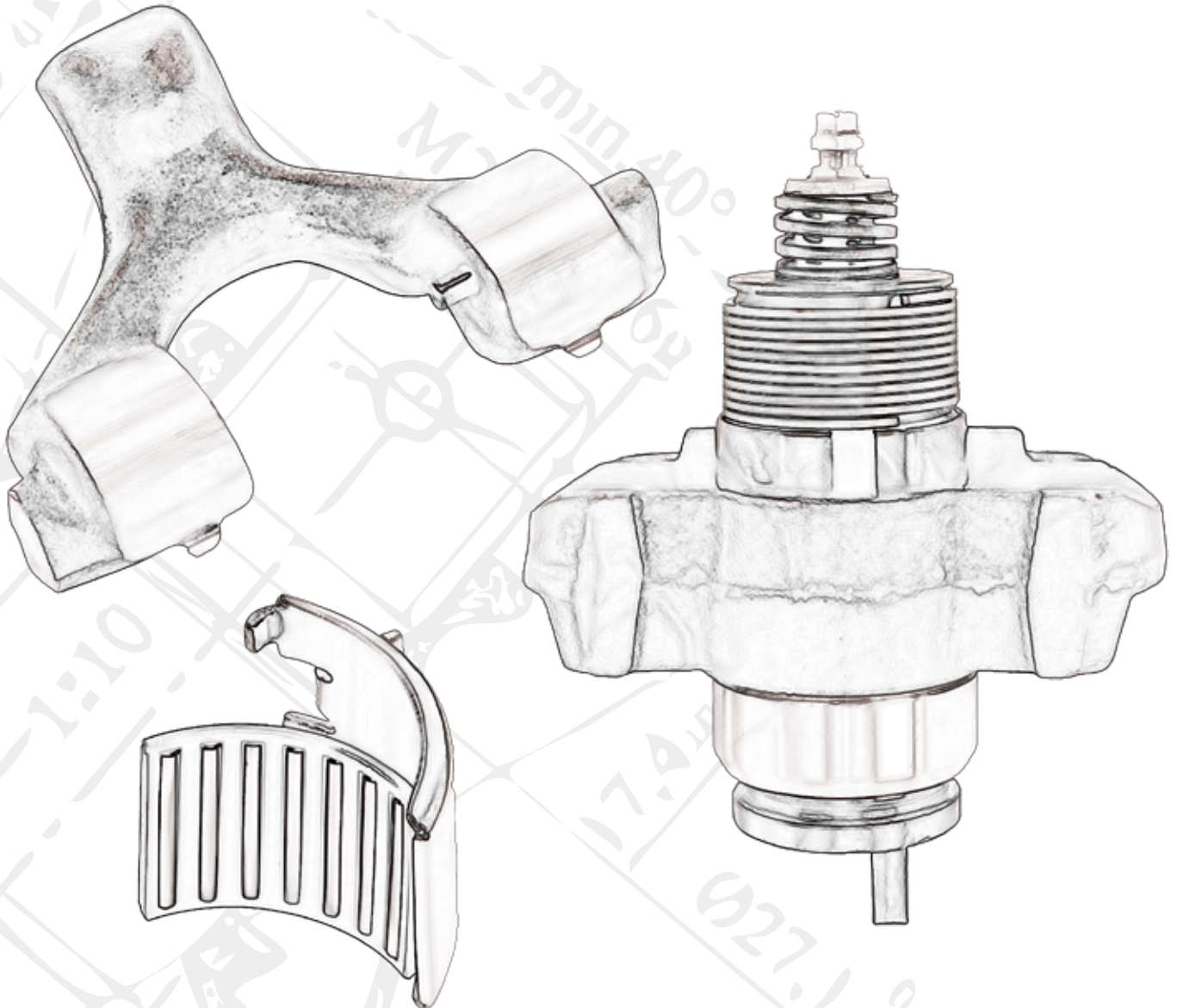


17.5"


19.5"/22.5" Single Piston

WABCO

19.5"
22.5"
Single
Piston



Truckexpert Nr	Description	OEM Nr	Application
346 00 200	Caliper Boot & Pin Repair Kit	12 999 776	PAN 19-1 plus PAN 22-1



346 00 218	Pin Bolt - M16 X 1.5 / 120 mm	1
346 00 222	Tappet Boot	1
346 00 223	Pin Boot	2
346 00 803	Pin Bolt - M16 X 1.5 / 80 mm	1
346 00 226	Pin Bush - Ø 38 X 42 / 30 mm	3
346 00 406	Caliper Pin - Ø 38 / 76 mm	1
346 00 862	Caliper Pin - Ø 38 / 118 mm	1
346 00 888	Pin Cap - Ø 42 / 17 mm	1
346 00 889	Pin Cap - Ø 42 / 28 mm	1
346 01 541	Grease - 5 g	1
346 01 631	Washer	2

346 00 200/1 Caliper Boot & Pin Repair Kit Without Chrome Plated Pins

Truckexpert Nr	Description	OEM Nr	Application
346 01 151	Caliper Boot & Pin Repair Kit		PAN 19-1 plus PAN 22-1



346 01 541	Grease - 5 g	1
346 01 631	Washer	2
346 00 862	Caliper Pin - Ø 38 / 118 mm	1
346 00 406	Caliper Pin - Ø 38 / 76 mm	1
346 00 222	Tappet Boot	1
346 00 223	Pin Boot	2
346 00 226	Pin Bush - Ø 38 X 42 / 30 mm	3
346 00 888	Pin Cap - Ø 42 / 17 mm	1
346 00 889	Pin Cap - Ø 42 / 28 mm	1

346 01 151/1 Caliper Boot & Pin Repair Kit Without Chrome Plated Pins


 19.5"
 22.5"
 Single
 Piston

Truckexpert Nr	Description	OEM Nr	Application
346 00 190	Caliper Boot Set		PAN 19-1 plus PAN 22-1



346 00 222	Tappet Boot	1
346 00 223	Pin Boot	2
346 01 631	Washer	2

Truckexpert Nr	Description	OEM Nr	Application
346 01 152	Caliper Boot & Pin Bush Repair Kit		PAN 19-1 plus PAN 22-1




346 01 631	Washer	2
346 00 222	Tappet Boot	1
346 00 223	Pin Boot	2
346 00 226	Pin Bush - Ø 38 X 42 / 30 mm	3
346 00 888	Pin Cap - Ø 42 / 17 mm	1
346 00 889	Pin Cap - Ø 42 / 28 mm	1

346 01 152/1 Caliper Boot & Pin Bush Repair Kit Without Chrome Plated Pins

WABCO
 19.5"
 22.5"
 Single
 Piston

Truckexpert Nr	Description	OEM Nr	Application
346 00 199	Caliper Boot & Pin Repair Kit	12 999 738	PAN 19-1 PAN 19-1 plus PAN 22-1



346 00 218	Pin Bolt - M16 X 1.5 / 120 mm	1
346 00 222	Tappet Boot	1
346 00 223	Pin Boot (Green)	2
346 00 224	Pin Boot (White)	2
346 00 226	Pin Bush - Ø 38 X 42 / 30 mm	3
346 00 406	Caliper Pin - Ø 38 / 76 mm	1
346 00 862	Caliper Pin - Ø 38 / 118 mm	1
346 00 803	Pin Bolt - M16 X 1.5 / 80 mm	1
346 00 888	Pin Cap - Ø 42 / 17 mm	2
346 00 889	Pin Cap - Ø 42 / 28 mm	2
346 01 631	Washer	4
346 01 541	Grease - 5 g	1

346 00 199/1 Caliper Boot & Pin Repair Kit Without Chrome Plated Pins

Truckexpert Nr	Description	OEM Nr	Application
346 01 153	Caliper Boot & Pin Repair Kit		PAN 19-1 PAN 19-1 plus PAN 22-1



346 01 631	Washer	2
346 00 862	Caliper Pin - Ø 38 / 118 mm	1
346 00 406	Caliper Pin - Ø 38 / 76 mm	1
346 00 218	Pin Bolt - M16 X 1.5 / 120 mm	1
346 00 803	Pin Bolt - M16 X 1.5 / 80 mm	1
346 00 226	Pin Bush - Ø 38 X 42 / 30 mm	3
346 00 889	Pin Cap - Ø 42 / 28 mm	1
346 00 888	Pin Cap - Ø 42 / 17 mm	1
346 00 222	Tappet Boot	1
346 00 224	Pin Boot (White)	2
346 01 541	Grease - 5 g	1

346 01 153/1 Caliper Boot & Pin Repair Kit Without Chrome Plated Pins

WABCO
19.5"
22.5"
Single
Piston

Truckexpert Nr	Description	OEM Nr	Application
----------------	-------------	--------	-------------

346 00 193

Caliper Boot & Pin Bush Set

PAN 19-1
PAN 19-1 plus
PAN 22-1



346 00 218	Pin Bolt - M16 X 1.5 / 120 mm	1
346 00 803	Pin Bolt - M16 X 1.5 / 80 mm	1
346 00 406	Caliper Pin - Ø 38 / 76 mm	1
346 00 862	Caliper Pin - Ø 38 / 118 mm	1
346 01 617	Caliper Head Bolt - M10 X 1 / 40 mm	8

346 00 193/1 Caliper Boot & Pin Bush Set Without Chrome Plated Pins

Truckexpert Nr	Description	OEM Nr	Application
----------------	-------------	--------	-------------

346 00 202

Caliper Boot & Pin Bush Repair Kit

PAN 19-1
PAN 19-1 plus
PAN 22-1




346 00 222	Tappet Boot	1
346 00 223	Pin Boot (Green)	2
346 00 224	Pin Boot (White)	2
346 00 226	Pin Bush - Ø 38 X 42 / 30 mm	3
346 00 888	Pin Cap - Ø 42 / 17 mm	2
346 00 889	Pin Cap - Ø 42 / 28 mm	2
346 01 631	Washer	4

WABCO

19.5"
22.5"
Single
Piston


Truckexpert Nr	Description	OEM Nr	Application
346 00 214	Caliper Calibration Bolt (With Pin) - 91 mm		PAN 19-1 PAN 19-1 plus PAN 22-1



Truckexpert Nr	Description	OEM Nr	Application
346 00 728	Shaft Housing - (Thick)		PAN 19-1 PAN 19-1 plus PAN 22-1




Truckexpert Nr	Description	OEM Nr	Application
346 01 006	Caliper Adjusting Mechanism Set - (With Pin)		PAN 19-1 PAN 19-1 plus PAN 22-1




346 01 621	Adjusting Spring	1
346 01 623	Locker Ring	1
346 01 624	Bevel Washer	1
346 00 728	Shaft Housing - (Thick)	1
346 01 625	Washer	1
346 01 626	Bottom Washer	1
346 01 627	Clips	1
346 00 214	Calibration Bolt - (With Pin) - 91 mm	1
346 01 622	Torsion Spring	1
346 01 629	Torsion Spring Ring (Thick)	1
346 01 630	Torsion Spring Ring (Thin)	1
346 01 632	Mechanism Slot - 115 mm	1

Truckexpert Nr	Description	OEM Nr	Application
346 00 178	Caliper Adjusting Mechanism Set - (With Pin)		PAN 19-1 PAN 19-1 plus PAN 22-1



346 01 621	Adjusting Spring	1
346 01 623	Locker Ring	1
346 01 624	Bevel Washer	1
346 01 625	Washer	1
346 01 626	Bottom Washer	1
346 01 627	Clips	1
346 00 214	Calibration Bolt - (With Pin) - 91 mm	1
346 01 622	Torsion Spring	1
346 01 629	Torsion Spring Ring (Thick)	1
346 01 630	Torsion Spring Ring (Thin)	1
346 01 632	Mechanism Slot - 115 mm	1

Truckexpert Nr	Description	OEM Nr	Application
346 00 185	Brake Lining Plate (With Groove) - L		PAN 19-1 plus PAN 22-1
			

Truckexpert Nr	Description	OEM Nr	Application
346 00 181	Brake Lining Plate (With Groove) - R		PAN 19-1 plus PAN 22-1
			


Truckexpert Nr	Description	OEM Nr	Application
346 00 175	Brake Caliper Repair Set		PAN 19-1 plus PAN 22-1
			


346 01 621	Adjusting Spring	1	346 00 218	Pin Bolt - M16 X 1.5 / 120 mm	1
346 01 623	Locker Ring	1	346 00 222	Tappet Boot	1
346 01 624	Bevel Washer	1	346 00 223	Pin Boot	2
346 01 625	Washer	1	346 00 803	Pin Bolt - M16 X 1.5 / 80 mm	1
346 01 626	Bottom Washer	1	346 00 226	Pin Bush - Ø 38 X 42 / 30 mm	3
346 01 627	Clips	1	346 00 406	Caliper Pin - Ø 38 / 76 mm	1
346 00 214	Calibration Bolt - (With Pin) - 80,4 mm	1	346 00 862	Caliper Pin - Ø 38 / 118 mm	1
346 01 622	Torsion Spring	1	346 00 888	Pin Cap - Ø 42 / 17 mm	1
346 01 629	Torsion Spring Ring (Thick)	1	346 00 889	Pin Cap - Ø 42 / 28 mm	1
346 01 630	Torsion Spring Ring (Thin)	1	346 01 631	Washer	2
346 01 632	Mechanism Slot - 115 mm	1	346 01 541	Grease - 5 g	1

346 00 175/1 Brake Caliper Repair Set Without Chrome Plated Pins

WABCO


19.5"
22.5"
Single
Piston

Truckexpert Nr	Description	OEM Nr	Application
346 00 725	Brake Lining Plate (With Groove) - L		PAN 19-1 PAN 19-1 plus PAN 22-1
			

Truckexpert Nr	Description	OEM Nr	Application
346 00 726	Brake Lining Plate (With Groove) - R		PAN 19-1 PAN 19-1 plus PAN 22-1
			

Truckexpert Nr	Description	OEM Nr	Application	
346 01 430	Caliper Repair Set		PAN 19-1 PAN 19-1 plus PAN 22-1	
				
346 01 621	Adjusting Spring	1	346 00 406 Caliper Pin - Ø 38 / 76 mm	1
346 01 623	Locker Ring	1	346 00 218 Pin Bolt - M16 X 1.5 / 120 mm	1
346 01 624	Bevel Washer	1	346 00 803 Pin Bolt - M16 X 1.5 / 80 mm	1
346 01 625	Washer	1	346 00 226 Pin Bush - Ø 38 X 42 / 30 mm	3
346 01 626	Bottom Washer	1	346 00 889 Pin Cap - Ø 42 / 28 mm	2
346 01 627	Clips	1	346 00 888 Pin Cap - Ø 42 / 17 mm	2
346 00 214	Calibration Bolt - (With Pin) - 80,4 mm	1	346 00 222 Tappet Boot	1
346 01 622	Torsion Spring	1	346 00 224 Pin Boot (White)	2
346 01 629	Torsion Spring Ring (Thick)	1	346 00 223 Pin Boot (Green)	2
346 01 630	Torsion Spring Ring (Thin)	1	346 01 631 Washer	4
346 01 632	Mechanism Slot - 115 mm	1	346 01 541 Grease - 5 g	1
346 00 862	Caliper Pin - Ø 38 / 120 mm	1		

346 01 430/1 Caliper Repair Set Without Chrome Plated Pins

Truckexpert Nr	Description	OEM Nr	Application
346 01 620	Caliper Needle Bearing		PAN 19-1 PAN 19-1 plus PAN 22-1
			

Truckexpert Nr	Description	OEM Nr	Application			
346 00 187	Caliper Needle Bearing Set		PAN 19-1 PAN 19-1 plus PAN 22-1			
						
<table border="1"> <tr> <td>346 01 620</td> <td>Roller Bearing</td> <td>2</td> </tr> </table>				346 01 620	Roller Bearing	2
346 01 620	Roller Bearing	2				


Truckexpert Nr	Description	OEM Nr	Application
346 00 721	Caliper Lever		PAN 19-1 PAN 19-1 plus PAN 22-1
			

Truckexpert Nr	Description	OEM Nr	Application												
346 00 727	Adjusting Mechanism Spring Set		PAN 19-1 PAN 19-1 plus PAN 22-1												
															
<table border="1"> <tr> <td>346 01 619</td> <td>Spring</td> <td>2</td> </tr> <tr> <td>346 01 621</td> <td>Adjusting Spring</td> <td>1</td> </tr> <tr> <td>346 01 622</td> <td>Torsion Spring</td> <td>1</td> </tr> <tr> <td>346 01 623</td> <td>Locker Ring</td> <td>1</td> </tr> </table>				346 01 619	Spring	2	346 01 621	Adjusting Spring	1	346 01 622	Torsion Spring	1	346 01 623	Locker Ring	1
346 01 619	Spring	2													
346 01 621	Adjusting Spring	1													
346 01 622	Torsion Spring	1													
346 01 623	Locker Ring	1													

WABCO
 19.5"
 22.5"
 Single
 Piston

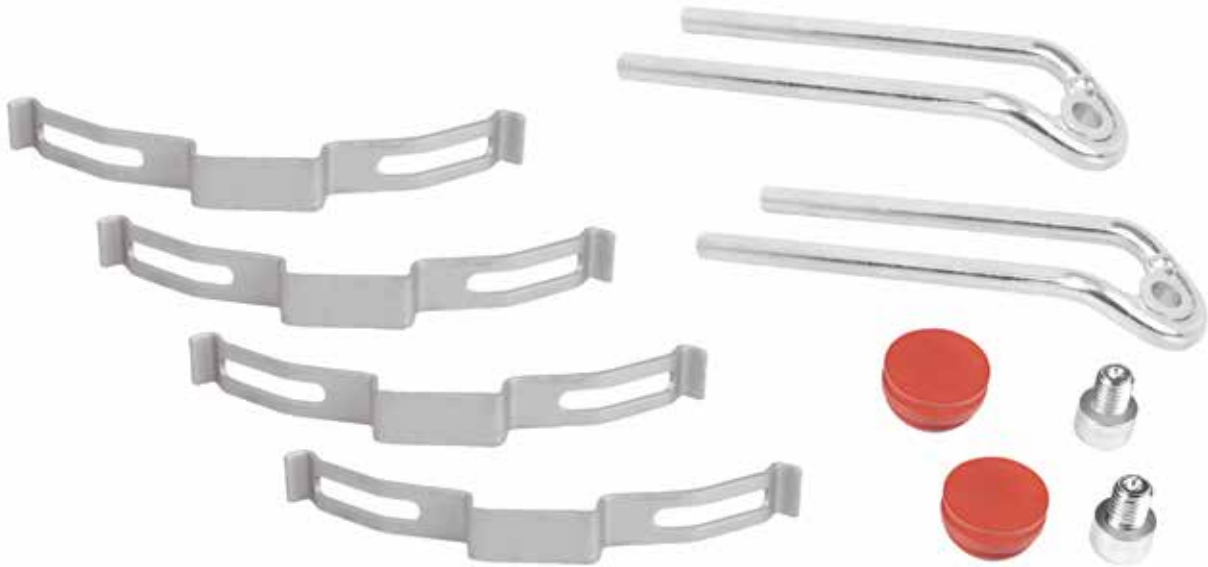
Truckexpert Nr	Description	OEM Nr	Application
346 01 064	Caliper Head Set		PAN 19-1 PAN 19-1 plus PAN 22-1
			
		346 01 614	Caliper Head Cap 1
		346 01 616	Caliper Head Seal 1
		346 00 222	Tappet Boot 1

Truckexpert Nr	Description	OEM Nr	Application
346 00 205	Adjusting Mechanism Washer & Spring Set		PAN 19-1 PAN 19-1 plus PAN 22-1
			
		346 01 621	Adjusting Spring 1
		346 01 623	Locker Ring 1
		346 01 624	Bevel Washer 1
		346 01 625	Washer 1
		346 01 626	Bottom Washer 1
		346 01 627	Clips 1

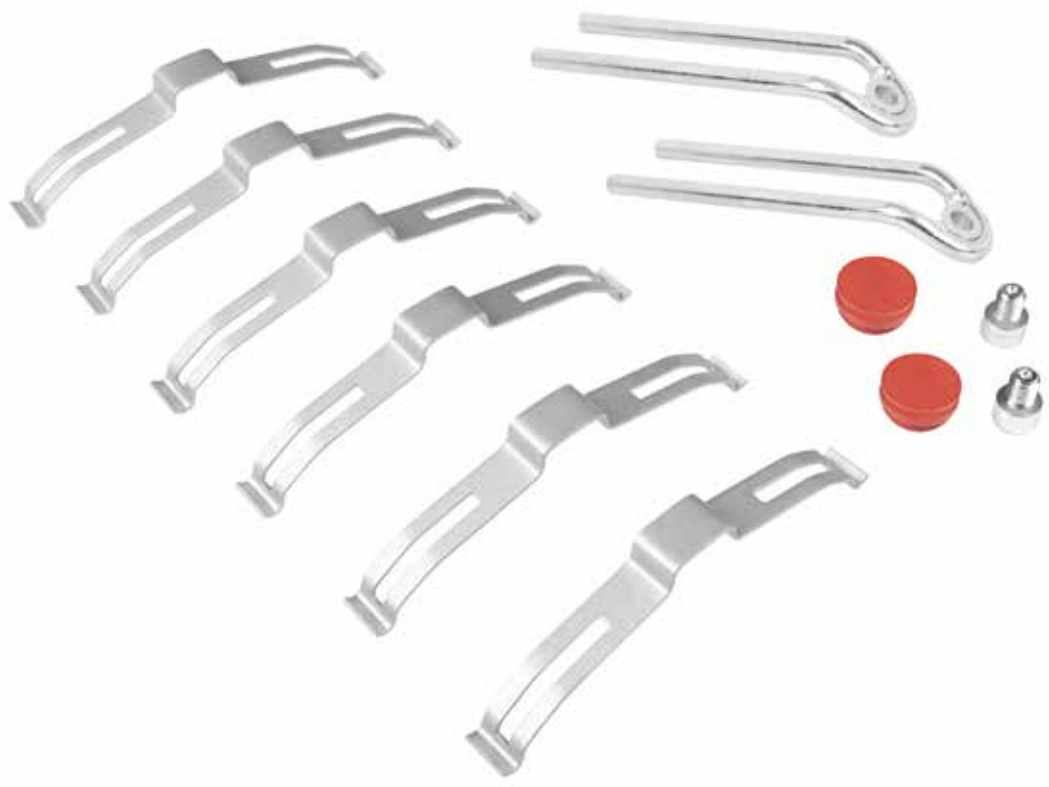
Truckexpert Nr	Description	OEM Nr	Application
346 00 207	Caliper Head Gasket Set		PAN 19-1 PAN 19-1 plus PAN 22-1
			
		346 01 614	Caliper Head Cap 1
		346 01 615	Caliper Head Gasket 1
		346 01 616	Caliper Head Seal 1
		346 01 149	Caliper Head Seal 1


 19.5"
22.5"
Single
Piston

Truckexpert Nr	Description	OEM Nr	Application
346 01 434	Brake Pad Retainer Set		PAN 19-1 PAN 19-1 plus



Truckexpert Nr	Description	OEM Nr	Application
346 01 431	Brake Pad Retainer Set		PAN 22-1



WABCO
19.5"
22.5"
Single
Piston

Truckexpert Nr	Description	OEM Nr	Application
346 01 408	Caliper Complete Repair Set - R		PAN 19-1 plus PAN 22-1
346 00 218	Pin Bolt - M16 X 1.5 / 120 mm		
346 00 222	Tappet Boot		
346 00 223	Pin Boot		
346 00 803	Pin Bolt - M16 X 1.5 / 80 mm		
346 00 226	Pin Bush - Ø 38 X 42 / 30 mm		
346 00 406	Caliper Pin - Ø 38 / 76 mm		
346 00 862	Caliper Pin - Ø 38 / 118 mm		
346 00 888	Pin Cap - Ø 42 / 17 mm		
346 00 889	Pin Cap - Ø 42 / 28 mm		
346 01 631	Washer		
346 00 181	Brake Lining Plate (With Groove) - R		
346 01 621	Adjusting Spring		
346 01 623	Locker Ring		
346 01 624	Bevel Washer		
346 01 625	Washer		
346 01 626	Bottom Washer		
346 01 627	Clips		
346 00 214	Calibration Bolt - (With Pin) - 80,4 mm		
346 01 622	Torsion Spring		
346 01 629	Torsion Spring Ring (Thick)		
346 01 630	Torsion Spring Ring (Thin)		
346 01 632	Mechanism Slot - 115 mm		
346 00 728	Shaft Housing - (Thick)		
346 01 620	Roller Bearing		
346 01 618	Lever		
346 01 619	Spring		
346 01 614	Caliper Head Cap		
346 01 615	Caliper Head Gasket		
346 01 616	Caliper Head Seal		
346 01 149	Caliper Head Seal		
346 01 617	Caliper Head Bolt - M10 X 1 / 40 mm		
346 01 541	Grease - 5 g		



346 01 408/1 Caliper Complete Repair Set - R Without Chrome Plated Pins

Truckexpert Nr	Description	OEM Nr	Application
346 01 409	Caliper Complete Repair Set - L		PAN 19-1 PAN 19-1 plus PAN 22-1
346 00 218	Pin Bolt - M16 X 1.5 / 120 mm		
346 00 222	Tappet Boot		
346 00 223	Pin Boot		
346 00 803	Pin Bolt - M16 X 1.5 / 80 mm		
346 00 226	Pin Bush - Ø 38 X 42 / 30 mm		
346 00 406	Caliper Pin - Ø 38 / 76 mm		
346 00 862	Caliper Pin - Ø 38 / 118 mm		
346 00 888	Pin Cap - Ø 42 / 17 mm		
346 00 889	Pin Cap - Ø 42 / 28 mm		
346 01 631	Washer		
346 00 185	Brake Lining Plate (With Groove) - L		
346 01 621	Adjusting Spring		
346 01 623	Locker Ring		
346 01 624	Bevel Washer		
346 01 625	Washer		
346 01 626	Bottom Washer		
346 01 627	Clips		
346 00 214	Calibration Bolt - (With Pin) - 80,4 mm		
346 01 622	Torsion Spring		
346 01 629	Torsion Spring Ring (Thick)		
346 01 630	Torsion Spring Ring (Thin)		
346 01 632	Mechanism Slot - 115 mm		
346 00 728	Shaft Housing - (Thick)		
346 01 620	Roller Bearing		
346 01 618	Lever		
346 01 619	Spring		
346 01 614	Caliper Head Cap		
346 01 615	Caliper Head Gasket		
346 01 616	Caliper Head Seal		
346 01 149	Caliper Head Seal		
346 01 617	Caliper Head Bolt - M10 X 1 / 40 mm		
346 01 541	Grease - 5 g		



346 01 409/1 Caliper Complete Repair Set - L Without Chrome Plated Pins

WABCO
19.5"
22.5"
Single
Piston

Truckexpert Nr	Description	OEM Nr	Application
----------------	-------------	--------	-------------

346 01 481 Caliper Complete Repair Set - R

PAN 19-1
PAN 19-1 plus
PAN 22-1

346 00 218	Pin Bolt - M16 X 1.5 / 120 mm	1
346 00 222	Tappet Boot	1
346 00 223	Pin Boot (Green)	2
346 00 224	Pin Boot (White)	2
346 00 226	Pin Bush - Ø 38 X 42 / 30 mm	3
346 00 406	Caliper Pin - Ø 38 / 76 mm	1
346 00 862	Caliper Pin - Ø 38 / 118 mm	1
346 00 803	Pin Bolt - M16 X 1.5 / 80 mm	1
346 00 888	Pin Cap - Ø 42 / 17 mm	2
346 00 889	Pin Cap - Ø 42 / 28 mm	2
346 01 631	Washer	4
346 00 726	Brake Lining Plate (With Groove) - R	1
346 01 621	Adjusting Spring	1
346 01 623	Locker Ring	1
346 01 624	Bevel Washer	1
346 01 625	Washer	1
346 01 626	Bottom Washer	1
346 01 627	Clips	1
346 00 214	Calibration Bolt - (With Pin) - 80,4 mm	1
346 01 622	Torsion Spring	1
346 01 629	Torsion Spring Ring (Thick)	1
346 01 630	Torsion Spring Ring (Thin)	1
346 01 632	Mechanism Slot - 115 mm	1
346 00 728	Shaft Housing - (Thick)	1
346 01 620	Roller Bearing	2
346 01 618	Lever	1
346 01 619	Spring	2
346 01 614	Caliper Head Cap	1
346 01 615	Caliper Head Gasket	1
346 01 616	Caliper Head Seal	1
346 01 149	Caliper Head Seal	1
346 01 617	Caliper Head Bolt - M10 X 1 / 40 mm	8
346 01 541	Grease - 5 g	2



346 01 481/1 Caliper Complete Repair Set - R Without Chrome Plated Pins

Truckexpert Nr	Description	OEM Nr	Application
----------------	-------------	--------	-------------

346 01 482 Caliper Complete Repair Set - L

PAN 19-1
PAN 19-1 plus
PAN 22-1

346 00 218	Pin Bolt - M16 X 1.5 / 120 mm	1
346 00 222	Tappet Boot	1
346 00 223	Pin Boot (Green)	2
346 00 224	Pin Boot (White)	2
346 00 226	Pin Bush - Ø 38 X 42 / 30 mm	3
346 00 406	Caliper Pin - Ø 38 / 76 mm	1
346 00 862	Caliper Pin - Ø 38 / 118 mm	1
346 00 803	Pin Bolt - M16 X 1.5 / 80 mm	1
346 00 888	Pin Cap - Ø 42 / 17 mm	2
346 00 889	Pin Cap - Ø 42 / 28 mm	2
346 01 631	Washer	4
346 00 725	Brake Lining Plate (With Groove) - L	1
346 01 621	Adjusting Spring	1
346 01 623	Locker Ring	1
346 01 624	Bevel Washer	1
346 01 625	Washer	1
346 01 626	Bottom Washer	1
346 01 627	Clips	1
346 00 214	Calibration Bolt - (With Pin) - 80,4 mm	1
346 01 622	Torsion Spring	1
346 01 629	Torsion Spring Ring (Thick)	1
346 01 630	Torsion Spring Ring (Thin)	1
346 01 632	Mechanism Slot - 115 mm	1
346 00 728	Shaft Housing - (Thick)	1
346 01 620	Roller Bearing	2
346 01 618	Lever	1
346 01 619	Spring	2
346 01 614	Caliper Head Cap	1
346 01 615	Caliper Head Gasket	1
346 01 616	Caliper Head Seal	1
346 01 149	Caliper Head Seal	1
346 01 617	Caliper Head Bolt - M10 X 1 / 40 mm	8
346 01 541	Grease - 5 g	2




346 01 482/1 Caliper Complete Repair Set - L Without Chrome Plated Pins

WABCO

19.5"
22.5"
Single
Piston


Truckexpert Nr	Description	OEM Nr	Application
346 00 707	Caliper Boot & Pin Repair Kit		PAN 19-1 PAN 19-1 plus PAN 22-1



346 00 218	Pin Bolt - M16 X 1.5 / 120 mm	1
346 00 222	Tappet Boot	1
346 00 223	Pin Boot (Green)	2
346 00 224	Pin Boot (White)	2
346 00 226	Pin Bush - Ø 38 X 42 / 30 mm	3
346 00 406	Caliper Pin - Ø 38 / 76 mm	1
346 00 862	Caliper Pin - Ø 38 / 118 mm	1
346 00 803	Pin Bolt - M16 X 1.5 / 80 mm	1
346 00 888	Pin Cap - Ø 42 / 17 mm	1
346 00 889	Pin Cap - Ø 42 / 28 mm	2
346 01 631	Washer	4
346 01 614	Caliper Head Cap	1
346 01 541	Grease - 5 g	1

346 00 707/1 Caliper Boot & Pin Repair Kit Without Chrome Plated Pins

Truckexpert Nr	Description	OEM Nr	Application
346 00 715	Brake Caliper Repair Set		PAN 19-1 PAN 19-1 plus PAN 22-1



346 01 621	Adjusting Spring	1
346 01 623	Locker Ring	1
346 01 624	Bevel Washer	1
346 01 625	Washer	1
346 01 626	Bottom Washer	1
346 01 627	Clips	1
346 01 622	Torsion Spring	1
346 01 629	Torsion Spring Ring (Thick)	1
346 01 630	Torsion Spring Ring (Thin)	1
346 00 218	Pin Bolt - M16 X 1.5 / 120 mm	1
346 00 222	Tappet Boot	1
346 00 223	Pin Boot	2
346 00 803	Pin Bolt - M16 X 1.5 / 80 mm	1
346 00 226	Pin Bush - Ø 38 X 42 / 30 mm	3
346 00 406	Caliper Pin - Ø 38 / 76 mm	1
346 00 862	Caliper Pin - Ø 38 / 118 mm	1
346 00 888	Pin Cap - Ø 42 / 17 mm	1
346 00 889	Pin Cap - Ø 42 / 28 mm	1
346 01 631	Washer	2
346 01 628	Mechanism Slot - 110 mm	1
346 00 212	Calibration Bolt - (With Pin) - 87 mm	1
346 01 541	Grease - 5 g	1

346 00 715/1 Brake Caliper Repair Set Without Chrome Plated Pins

Truckexpert Nr
346 00 716

Description
Brake Caliper Repair Set

OEM Nr

Application

PAN 19-1
PAN 19-1 plus
PAN 22-1



346 01 621	Adjusting Spring	1	346 00 223	Pin Boot	2
346 01 623	Locker Ring	1	346 00 803	Pin Bolt - M16 X 1.5 / 80 mm	1
346 01 624	Bevel Washer	1	346 00 226	Pin Bush - Ø 38 X 42 / 30 mm	3
346 01 625	Washer	1	346 00 406	Caliper Pin - Ø 38 / 76 mm	1
346 01 626	Bottom Washer	1	346 00 862	Caliper Pin - Ø 38 / 118 mm	1
346 01 627	Clips	1	346 00 888	Pin Cap - Ø 42 / 17 mm	1
346 01 622	Torsion Spring	1	346 00 889	Pin Cap - Ø 42 / 28 mm	1
346 01 629	Torsion Spring Ring (Thick)	1	346 01 631	Washer	2
346 01 630	Torsion Spring Ring (Thin)	1	346 00 720	Calibration Bolt - (With Groove) - 80.4 mm	1
346 00 218	Pin Bolt - M16 X 1.5 / 120 mm	1	346 01 632	Mechanism Slot - 115 mm	1
346 00 222	Tappet Boot	1	346 01 541	Grease - 5 g	1

346 00 716/1 Brake Caliper Repair Set Without Chrome Plated Pins

Truckexpert Nr
346 00 717

Description
Brake Caliper Repair Set

OEM Nr

Application

PAN 19-1
PAN 19-1 plus
PAN 22-1



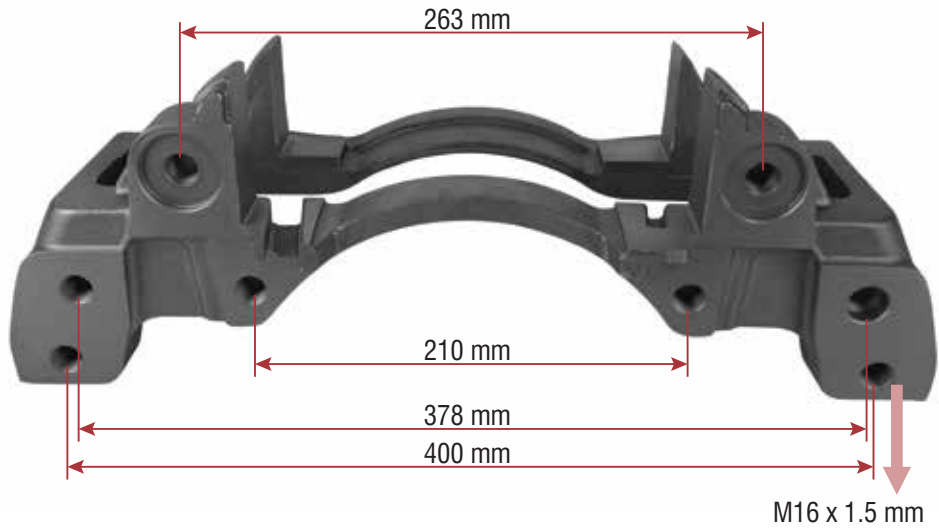
346 01 621	Adjusting Spring	1	346 00 223	Pin Boot	2
346 01 623	Locker Ring	1	346 00 803	Pin Bolt - M16 X 1.5 / 80 mm	1
346 01 624	Bevel Washer	1	346 00 226	Pin Bush - Ø 38 X 42 / 30 mm	3
346 01 625	Washer	1	346 00 406	Caliper Pin - Ø 38 / 76 mm	1
346 01 626	Bottom Washer	1	346 00 862	Caliper Pin - Ø 38 / 118 mm	1
346 01 627	Clips	1	346 00 888	Pin Cap - Ø 42 / 17 mm	1
346 01 622	Torsion Spring	1	346 00 889	Pin Cap - Ø 42 / 28 mm	1
346 01 629	Torsion Spring Ring (Thick)	1	346 01 631	Washer	2
346 01 630	Torsion Spring Ring (Thin)	1	346 00 213	Calibration Bolt - (With Groove) - 87 mm	1
346 00 218	Pin Bolt - M16 X 1.5 / 120 mm	1	346 01 628	Mechanism Slot - 110 mm	1
346 00 222	Tappet Boot	1	346 01 541	Grease - 5 g	1

346 00 717/1 Brake Caliper Repair Set Without Chrome Plated Pins

WABCO

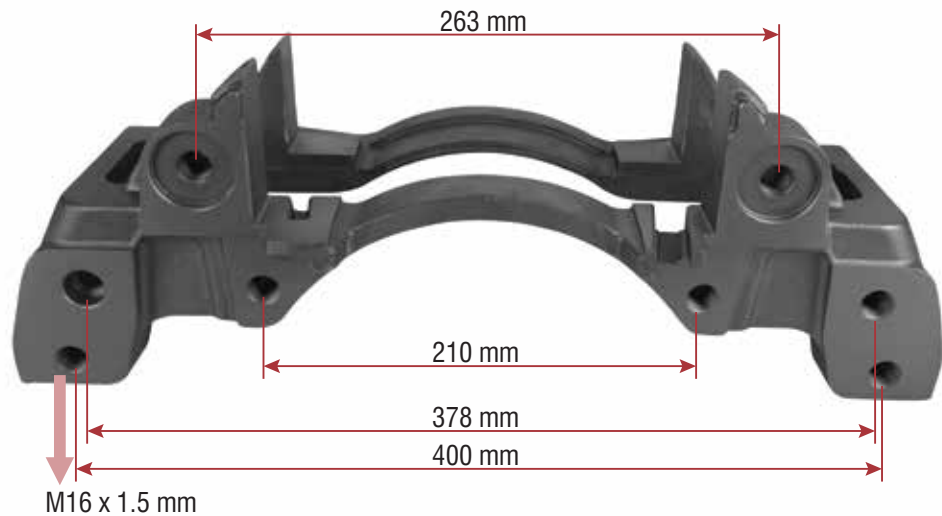
19.5"
22.5"
Single
Piston

Truckexpert Nr	Description	OEM Nr	Application
346 01 985	Caliper Carrier Left		PAN 19-1 PAN 19-1 plus PAN 22-1



19.5"
22.5"
Single
Piston

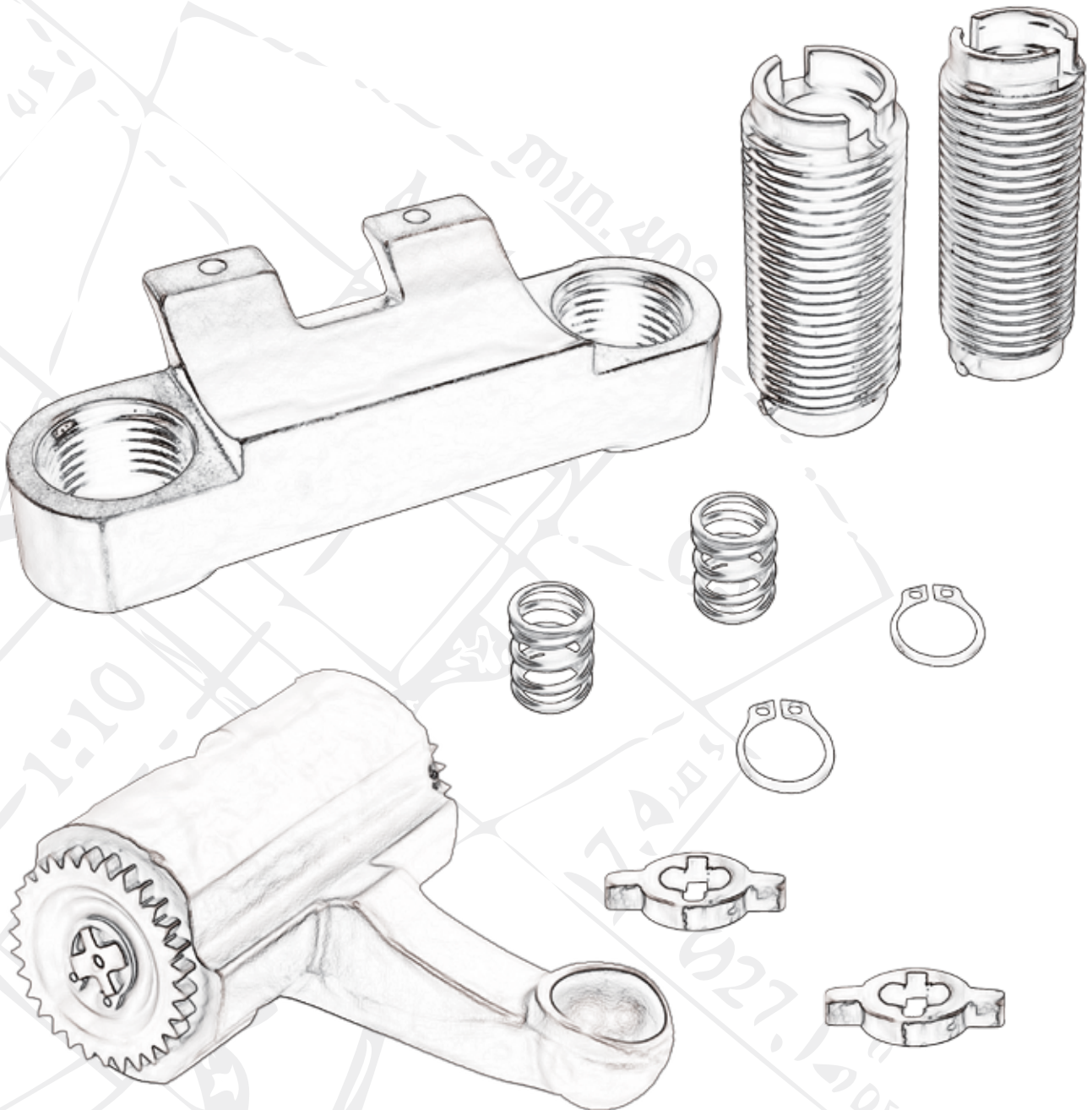
Truckexpert Nr	Description	OEM Nr	Application
346 01 986	Caliper Carrier Right		PAN 19-1 PAN 19-1 plus PAN 22-1



19.5"/22.5" Double Piston

WABCO

19.5"
22.5"
Double
Piston



Truckexpert Nr	Description	OEM Nr	Application
346 00 989	Caliper Boot Repair Kit		PAN 19-2 PAN 22-2



346 01 418	Tappet	2
346 01 419	Ring	2
346 01 420	Tappet Boot	2
346 01 631	Washer	2
346 00 224	Pin Boot (White)	2

346 00 989/1 Caliper Boot Repair Kit Without Chrome Plated Tappets

Truckexpert Nr	Description	OEM Nr	Application
346 00 488	Caliper Boot & Pin Repair Kit	12 999 746	PAN 19-2



346 00 224	Pin Boot (White)	2
346 00 862	Caliper Pin - Ø 38 / 118 mm	1
346 00 218	Pin Bolt - M16 X 1.5 / 120 mm	1
346 01 418	Tappet	2
346 01 419	Ring	2
346 01 420	Tappet Boot	2
346 00 888	Pin Cap - Ø 42 / 17 mm	1
346 00 803	Pin Bolt - M16 X 1.5 / 80 mm	1
346 00 889	Pin Cap - Ø 42 / 28 mm	1
346 00 406	Caliper Pin - Ø 38 / 76 mm	1
346 01 614	Caliper Head Cap	2
346 01 631	Washer	2
346 00 226	Pin Bush - Ø 38 X 42 / 30 mm	3
346 01 541	Grease - 5 g	1

346 00 488/1 Caliper Boot & Pin Repair Kit Without Chrome Plated Pins and Tappets

Truckexpert Nr	Description	OEM Nr	Application
346 00 990	Caliper Boot & Pin Repair Kit		PAN 19-2



346 01 418	Tappet	2
346 01 419	Ring	2
346 01 420	Tappet Boot	2
346 00 862	Caliper Pin - Ø 38 / 118 mm	1
346 00 803	Pin Bolt - M16 X 1.5 / 80 mm	1
346 00 406	Caliper Pin - Ø 38 / 76 mm	1
346 01 614	Caliper Head Cap	2
346 00 224	Pin Boot (White)	2
346 00 218	Pin Bolt - M16 X 1.5 / 120 mm	1
346 01 631	Washer	2
346 01 541	Grease - 5 g	1

346 00 990/1 Caliper Boot & Pin Repair Kit Without Chrome Plated Pins and Tappets

WABCO
 19.5"
 22.5"
 Double
 Piston

Truckexpert Nr	Description	OEM Nr	Application
346 00 926	Caliper Tappet & Boot Set		PAN 19-2 PAN 22-2



346 01 418	Tappet	2
346 01 419	Ring	2
346 01 420	Tappet Boot	2

346 00 926/1 Caliper Tappet & Boot Set Without Chrome Plated Tappets

Truckexpert Nr	Description	OEM Nr	Application
346 01 432	Caliper Pin Repair Kit	12 999 678	PAN 22-2



346 01 438	Caliper Pin - Ø 38 / 128 mm	1
346 01 439	Caliper Pin - Ø 38 / 70 mm	1
346 00 828	Pin Bolt - M16 X 1.5 / 130 mm	1
346 00 803	Pin Bolt - M16 X 1.5 / 80 mm	1
346 00 226	Pin Bush - Ø 38 X 42 / 30 mm	3
346 00 224	Pin Boot (White)	2
346 01 631	Washer	2
346 00 888	Pin Cap - Ø 42 / 17 mm	1
346 01 856	Ring -Ø 42 X 57 X 11 mm	1
346 00 914	Pin Bellow Cap	1
346 01 541	Grease - 5 g	1

346 01 432/1 Caliper Pin Repair Kit Without Chrome Plated Pins

Truckexpert Nr	Description	OEM Nr	Application
346 00 491	Caliper Boot & Pin Repair Kit	12 999 677	PAN 22-2



346 01 418	Tappet	2
346 01 419	Ring	2
346 01 420	Tappet Boot	2
346 00 828	Pin Bolt - M16 X 1.5 / 130 mm	1
346 00 803	Pin Bolt - M16 X 1.5 / 80 mm	1
346 00 224	Pin Boot (White)	2
346 01 631	Washer	2
346 00 888	Pin Cap - Ø 42 / 17 mm	1
346 01 856	Ring -Ø 42 X 57 X 11 mm	1
346 00 914	Pin Bellow Cap	1
346 01 614	Caliper Head Cap	2
346 01 541	Grease - 5 g	1

346 00 491/1 Caliper Boot & Pin Repair Kit Without Chrome Plated Tappets

WABCO
 19.5"
 22.5"
 Double
 Piston

Truckexpert Nr	Description	OEM Nr	Application
346 01 420	Caliper Tappet Boot		PAN 19-2 PAN 22-2
			

Truckexpert Nr	Description	OEM Nr	Application								
346 01 004	Caliper Roller Bearing Set		PAN 19-2 PAN 22-2								
											
<table border="1" style="width: 100%;"> <tbody> <tr> <td style="width: 15%;">346 01 641</td> <td style="width: 55%;">Roller Bearing</td> <td style="width: 10%;"></td> <td style="width: 20%; text-align: center;">2</td> </tr> <tr> <td>346 01 642</td> <td>Roller Bearing</td> <td></td> <td style="text-align: center;">2</td> </tr> </tbody> </table>				346 01 641	Roller Bearing		2	346 01 642	Roller Bearing		2
346 01 641	Roller Bearing		2								
346 01 642	Roller Bearing		2								

Truckexpert Nr	Description	OEM Nr	Application				
346 00 993	Caliper Roller Bearing Set		PAN 19-2 PAN 22-2				
							
<table border="1" style="width: 50%;"> <tbody> <tr> <td style="width: 15%;">346 01 641</td> <td style="width: 55%;">Roller Bearing</td> <td style="width: 10%;"></td> <td style="width: 20%; text-align: center;">2</td> </tr> </tbody> </table>				346 01 641	Roller Bearing		2
346 01 641	Roller Bearing		2				

Truckexpert Nr	Description	OEM Nr	Application				
346 00 994	Caliper Roller Bearing Set		PAN 19-2 PAN 22-2				
							
<table border="1" style="width: 100%;"> <tbody> <tr> <td style="width: 15%;">346 01 642</td> <td style="width: 55%;">Roller Bearing</td> <td style="width: 10%;"></td> <td style="width: 20%; text-align: center;">2</td> </tr> </tbody> </table>				346 01 642	Roller Bearing		2
346 01 642	Roller Bearing		2				




19.5"
22.5"
Double
Piston


Truckexpert Nr	Description	OEM Nr	Application
346 00 800	Caliper Calibration Bolt - L		PAN 19-2 PAN 22-2



Truckexpert Nr	Description	OEM Nr	Application
346 00 799	Caliper Calibration Bolt - R		PAN 19-2 PAN 22-2




Truckexpert Nr	Description	OEM Nr	Application
346 00 992	Caliper Calibration Bolt Set - L		PAN 19-2 PAN 22-2




346 00 800	Caliper Calibration Bolt - L	1
346 01 637	Calibration Bolt Locking Plate	1
346 01 638	Calibration Bolt Ring	1


Truckexpert Nr	Description	OEM Nr	Application
346 00 991	Caliper Calibration Bolt Set - R		PAN 19-2 PAN 22-2



346 01 637	Calibration Bolt Locking Plate	1
346 01 638	Calibration Bolt Ring	1
346 00 799	Caliper Calibration Bolt - R	1

WABCO
19.5"
22.5"
Double
Piston

Truckexpert Nr	Description	OEM Nr	Application
346 01 438	Caliper Pin - Ø 38 / 128 mm		PAN 22-2
			
346 01 438/1 Caliper Pin - Ø 38 / 128 mm Without Chrome Plated Pin			

Truckexpert Nr	Description	OEM Nr	Application
346 01 439	Caliper Pin - Ø 38 / 70 mm		PAN 22-2
			
346 01 439/1 Caliper Pin - Ø 38 / 70 mm Without Chrome Plated Pin			

Truckexpert Nr	Description	OEM Nr	Application																		
346 01 158	Caliper Shaft Housing Set		PAN 19-2 PAN 22-2																		
																					
<table border="1" style="width: 100%; border-collapse: collapse;"> <tbody> <tr> <td style="width: 15%;">346 01 637</td> <td style="width: 70%;">Calibration Bolt Locking Plate</td> <td style="width: 15%; text-align: right;">2</td> </tr> <tr> <td>346 00 799</td> <td>Caliper Calibration Bolt - R</td> <td style="text-align: right;">1</td> </tr> <tr> <td>346 01 638</td> <td>Calibration Bolt Ring</td> <td style="text-align: right;">2</td> </tr> <tr> <td>346 01 639</td> <td>Caliper Shaft Housing</td> <td style="text-align: right;">1</td> </tr> <tr> <td>346 00 800</td> <td>Caliper Calibration Bolt - L</td> <td style="text-align: right;">1</td> </tr> <tr> <td>346 01 640</td> <td>Spring</td> <td style="text-align: right;">2</td> </tr> </tbody> </table>				346 01 637	Calibration Bolt Locking Plate	2	346 00 799	Caliper Calibration Bolt - R	1	346 01 638	Calibration Bolt Ring	2	346 01 639	Caliper Shaft Housing	1	346 00 800	Caliper Calibration Bolt - L	1	346 01 640	Spring	2
346 01 637	Calibration Bolt Locking Plate	2																			
346 00 799	Caliper Calibration Bolt - R	1																			
346 01 638	Calibration Bolt Ring	2																			
346 01 639	Caliper Shaft Housing	1																			
346 00 800	Caliper Calibration Bolt - L	1																			
346 01 640	Spring	2																			

Truckexpert Nr	Description	OEM Nr	Application															
346 01 156	Caliper Head Gasket Set		PAN 19-2 PAN 22-2															
																		
<table border="1" style="width: 100%; border-collapse: collapse;"> <tbody> <tr> <td style="width: 15%;">346 01 614</td> <td style="width: 70%;">Caliper Head Cap</td> <td style="width: 15%; text-align: right;">2</td> </tr> <tr> <td>346 01 616</td> <td>Caliper Head Seal</td> <td style="text-align: right;">2</td> </tr> <tr> <td>346 01 617</td> <td>Caliper Head Bolt - M10 X 1 / 40 mm</td> <td style="text-align: right;">2</td> </tr> <tr> <td>346 01 636</td> <td>Caliper Head Gasket</td> <td style="text-align: right;">1</td> </tr> <tr> <td>346 00 816</td> <td>Bolt - M16 X 1.5 / 40 mm</td> <td style="text-align: right;">5</td> </tr> </tbody> </table>				346 01 614	Caliper Head Cap	2	346 01 616	Caliper Head Seal	2	346 01 617	Caliper Head Bolt - M10 X 1 / 40 mm	2	346 01 636	Caliper Head Gasket	1	346 00 816	Bolt - M16 X 1.5 / 40 mm	5
346 01 614	Caliper Head Cap	2																
346 01 616	Caliper Head Seal	2																
346 01 617	Caliper Head Bolt - M10 X 1 / 40 mm	2																
346 01 636	Caliper Head Gasket	1																
346 00 816	Bolt - M16 X 1.5 / 40 mm	5																

WABCO
 19.5"
 22.5"
 Double
 Piston

Truckexpert Nr	Description	OEM Nr	Application
346 00 998	Caliper Mechanism Gear Set - R		PAN 19-2 PAN 22-2
			
		346 01 643 Mechanism Gear - R	2


Truckexpert Nr	Description	OEM Nr	Application
346 00 997	Caliper Mechanism Gear Set - L		PAN 19-2 PAN 22-2
			
		346 01 644 Mechanism Gear - L	2

Truckexpert Nr	Description	OEM Nr	Application
346 01 070	Caliper Lever Mechanism Repair Kit		PAN 19-2 PAN 22-2
			
		346 01 072 Lever Pin	1
		346 01 649 Lever Gear	2
		346 01 650 Mechanism	1
		346 01 651 Bearing	1
		346 01 652 Spring	1
		346 01 653 Circlip	1
		346 01 654 Circlip	2
		346 01 655 Washer	1
		346 01 656 Washer	1

Truckexpert Nr	Description	OEM Nr	Application
346 01 002	Caliper Mechanism Repair Set		PAN 19-2 PAN 22-2
			
346 01 616	Caliper Head Seal	2	
346 01 643	Mechanism Gear - R	1	
346 01 644	Mechanism Gear - L	1	
346 01 645	Mechanism Pin	2	
346 01 646	Spring	2	
346 01 647	Washer	4	
346 01 648	Circlip	2	

WABCO

19.5"
22.5"
Double
Piston


Truckexpert Nr	Description	OEM Nr	Application
346 01 067	Caliper Lever Kit		PAN 19-2 PAN 22-2
			
346 01 066	Caliper Lever		1
346 01 641	Roller Bearing		2
346 01 642	Roller Bearing		2


Truckexpert Nr	Description	OEM Nr	Application
346 01 068	Caliper Lever With Mechanism		PAN 19-2 PAN 22-2
			
346 01 072	Lever Pin		1
346 01 649	Lever Gear		2
346 01 650	Mechanism		1
346 01 651	Bearing		1
346 01 652	Spring		1
346 01 653	Circlip		1
346 01 654	Circlip		2
346 01 655	Washer		1
346 01 656	Washer		1
346 01 066	Caliper Lever		1

Truckexpert Nr	Description	OEM Nr	Application
346 01 071	Caliper Lever Gear Set		PAN 19-2 PAN 22-2
			
346 01 649	Caliper Lever Gear		2

Truckexpert Nr	Description	OEM Nr	Application
346 00 999	Caliper Mechanism Pin Set		PAN 19-2 PAN 22-2
			
346 01 645	Mechanism Pin		2
346 01 647	Washer		4
346 01 648	Circlip		2


 19.5"
 22.5"
 Double
 Piston

Truckexpert Nr	Description	OEM Nr	Application
346 01 072	Caliper Lever Pin		PAN 19-2 PAN 22-2
			


Truckexpert Nr	Description	OEM Nr	Application
346 01 065	Caliper Bearing Saddle		PAN 19-2 PAN 22-2
			

Truckexpert Nr	Description	OEM Nr	Application
346 01 435	Caliper Brake Pad Retainer Kit		PAN 19-2 PAN 22-2
			

Truckexpert Nr	Description	OEM Nr	Application																																	
346 00 489	Caliper Boot & Pin Repair Kit	12 999 678	PAN 19-2 PAN 22-2																																	
																																				
<table border="1"> <tbody> <tr><td>346 00 224</td><td>Pin Boot (White)</td><td>2</td></tr> <tr><td>346 00 226</td><td>Pin Bush - Ø 38 X 42 / 30 mm</td><td>3</td></tr> <tr><td>346 01 631</td><td>Washer</td><td>2</td></tr> <tr><td>346 00 803</td><td>Pin Bolt - M16 X 1.5 / 80 mm</td><td>1</td></tr> <tr><td>346 00 888</td><td>Pin Cap - Ø 42 / 17 mm</td><td>1</td></tr> <tr><td>346 00 828</td><td>Pin Bolt - M16 X 1.5 / 130 mm</td><td>1</td></tr> <tr><td>346 00 864</td><td>Caliper Pin - Ø 38 / 128 mm</td><td>1</td></tr> <tr><td>346 00 863</td><td>Caliper Pin - Ø 38 / 70 mm</td><td>1</td></tr> <tr><td>346 00 914</td><td>Pin Bellow Cap</td><td>1</td></tr> <tr><td>346 00 878</td><td>Bronze Bushing Ø 42 x 38 x 20</td><td>1</td></tr> <tr><td>346 01 856</td><td>Ring -Ø 42 X 57 X 11 mm</td><td>1</td></tr> </tbody> </table>				346 00 224	Pin Boot (White)	2	346 00 226	Pin Bush - Ø 38 X 42 / 30 mm	3	346 01 631	Washer	2	346 00 803	Pin Bolt - M16 X 1.5 / 80 mm	1	346 00 888	Pin Cap - Ø 42 / 17 mm	1	346 00 828	Pin Bolt - M16 X 1.5 / 130 mm	1	346 00 864	Caliper Pin - Ø 38 / 128 mm	1	346 00 863	Caliper Pin - Ø 38 / 70 mm	1	346 00 914	Pin Bellow Cap	1	346 00 878	Bronze Bushing Ø 42 x 38 x 20	1	346 01 856	Ring -Ø 42 X 57 X 11 mm	1
346 00 224	Pin Boot (White)	2																																		
346 00 226	Pin Bush - Ø 38 X 42 / 30 mm	3																																		
346 01 631	Washer	2																																		
346 00 803	Pin Bolt - M16 X 1.5 / 80 mm	1																																		
346 00 888	Pin Cap - Ø 42 / 17 mm	1																																		
346 00 828	Pin Bolt - M16 X 1.5 / 130 mm	1																																		
346 00 864	Caliper Pin - Ø 38 / 128 mm	1																																		
346 00 863	Caliper Pin - Ø 38 / 70 mm	1																																		
346 00 914	Pin Bellow Cap	1																																		
346 00 878	Bronze Bushing Ø 42 x 38 x 20	1																																		
346 01 856	Ring -Ø 42 X 57 X 11 mm	1																																		
346 00 489/1 Caliper Boot & Pin Repair Kit Without Chrome Plated Pins																																				


WABCO
19.5"
22.5"
Double
Piston

Truckexpert Nr	Description	OEM Nr	Application
346 01 418	Tappet		PAN 19-2 PAN 22-2



346 01 418/1 Caliper Pin - Ø 38 / 128 mm Without Chrome Plated Tappet

Truckexpert Nr	Description	OEM Nr	Application
346 01 419	Ring		PAN 19-2 PAN 22-2



Truckexpert Nr	Description	OEM Nr	Application
346 00 798	Caliper Shaft Housing Set		PAN 19-2 PAN 22-2



346 01 639	Caliper Shaft Housing	1
346 01 640	Spring	2

Truckexpert Nr	Description	OEM Nr	Application
346 01 069	Caliper Lever Gear Set		PAN 19-2 PAN 22-2



346 01 072	Lever Pin	1
346 01 649	Lever Gear	2
346 01 650	Mechanism	1
346 01 651	Bearing	1
346 01 652	Spring	1
346 01 653	Circlip	1
346 01 654	Circlip	2
346 01 655	Washer	1
346 01 656	Washer	1
346 01 066	Caliper Lever	1
346 01 641	Roller Bearing	2
346 01 642	Roller Bearing	2

Truckexpert Nr	Description	OEM Nr	Application
346 00 995	Caliper Head Gasket Set		PAN 19-2 PAN 22-2



346 01 614	Caliper Head Cap	2
346 01 616	Caliper Head Seal	2
346 01 636	Caliper Head Gasket	1

WABCO

19.5"
22.5"
Double
Piston

Truckexpert Nr	Description	OEM Nr	Application
346 00 996	Caliper Shaft Housing Set		PAN 19-2 PAN 22-2



346 00 799	Caliper Calibration Bolt - R	1
346 01 639	Caliper Shaft Housing	1
346 00 800	Caliper Calibration Bolt - L	1
346 01 640	Spring	2

Truckexpert Nr	Description	OEM Nr	Application
346 01 483	Caliper Complete Repair Set		PAN 19-2



346 00 224	Pin Boot (White)	2
346 00 862	Caliper Pin - Ø 38 / 118 mm	1
346 00 218	Pin Bolt - M16 X 1.5 / 120 mm	1
346 01 418	Tappet	2
346 01 419	Ring	2
346 01 420	Tappet Boot	2
346 00 888	Pin Cap - Ø 42 / 17 mm	1
346 00 803	Pin Bolt - M16 X 1.5 / 80 mm	1
346 00 889	Pin Cap - Ø 42 / 28 mm	1
346 00 406	Caliper Pin - Ø 38 / 76 mm	1
346 01 614	Caliper Head Cap	2
346 01 631	Washer	2
346 00 226	Pin Bush - Ø 38 X 42 / 30 mm	3
346 01 637	Calibration Bolt Locking Plate	2
346 00 799	Caliper Calibration Bolt - R	1
346 01 638	Calibration Bolt Ring	2
346 01 639	Caliper Shaft Housing	1
346 00 800	Caliper Calibration Bolt - L	1
346 01 640	Spring	2
346 01 614	Caliper Head Cap	2
346 01 616	Caliper Head Seal	2
346 01 617	Caliper Head Bolt - M10 X 1 / 40 mm	2
346 01 636	Caliper Head Gasket	1
346 00 816	Bolt - M16 X 1.5 / 40 mm	5
346 01 642	Roller Bearing	2
346 01 641	Roller Bearing	2
346 01 616	Caliper Head Seal	2
346 01 643	Mechanism Gear - R	1
346 01 644	Mechanism Gear - L	1
346 01 645	Mechanism Pin	2
346 01 646	Spring	2
346 01 647	Washer	4
346 01 648	Circlip	2
346 01 072	Lever Pin	1
346 01 649	Lever Gear	2
346 01 650	Mechanism	1
346 01 651	Bearing	1
346 01 652	Spring	1
346 01 653	Circlip	1
346 01 654	Circlip	2
346 01 655	Washer	1
346 01 656	Washer	1
346 01 066	Caliper Lever	1
346 01 065	Caliper Bearing Saddle	1
346 01 541	Grease - 5 g	1

WABCO
19.5"
22.5"
Double
Piston

346 01 483/1 Caliper Complete Repair Set Without Chrome Plated Pins

Truckexpert Nr	Description	OEM Nr	Application
346 01 486	Caliper Complete Repair Kit		PAN 22-2

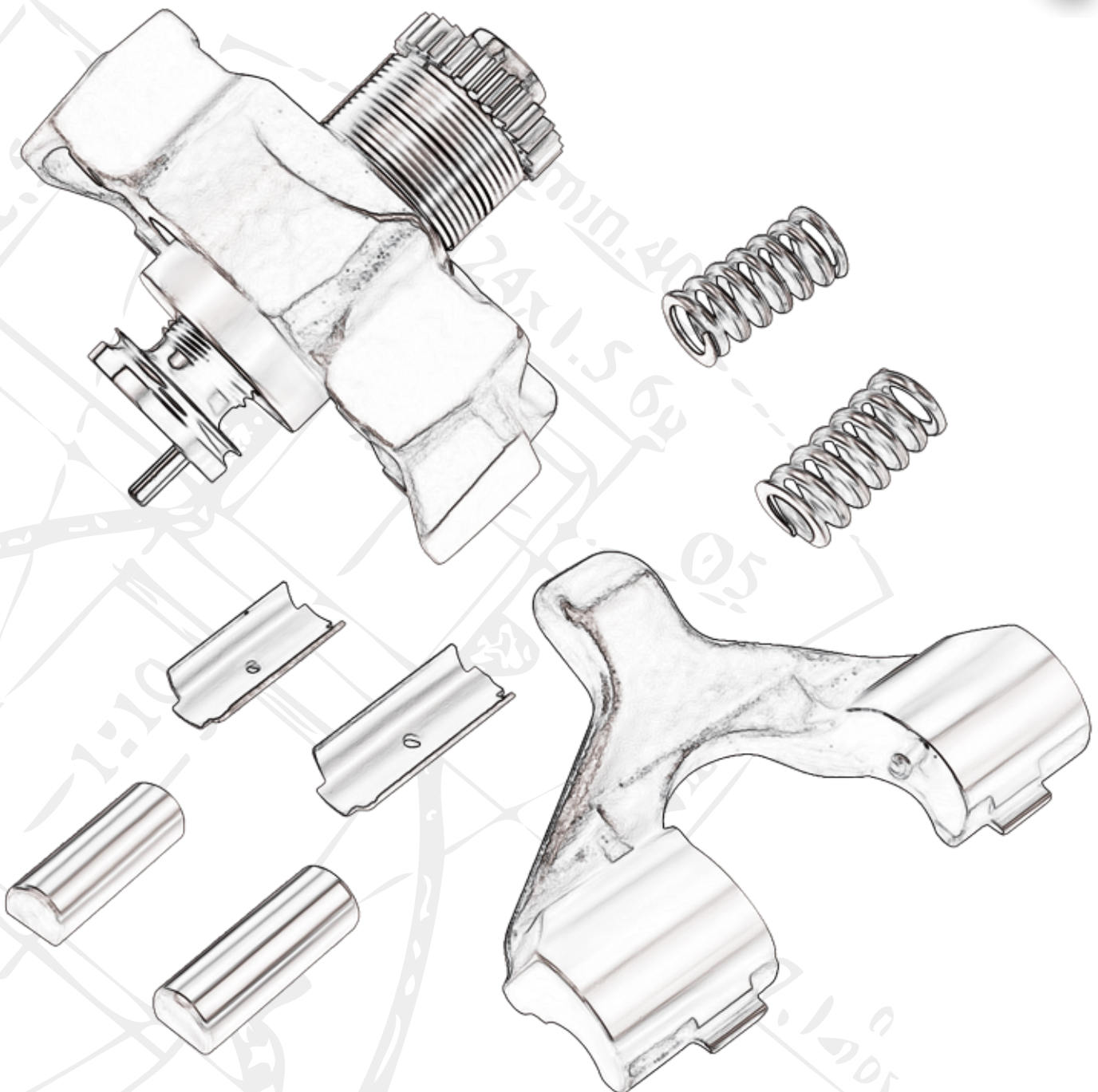


346 01 438	Caliper Pin - Ø 38 / 128 mm	1
346 01 439	Caliper Pin - Ø 38 / 70 mm	1
346 00 828	Pin Bolt - M16 X 1.5 / 130 mm	1
346 00 803	Pin Bolt - M16 X 1.5 / 80 mm	1
346 00 226	Pin Bush - Ø 38 X 42 / 30 mm	3
346 00 224	Pin Boot (White)	2
346 01 631	Washer	2
346 00 888	Pin Cap - Ø 42 / 17 mm	1
346 01 856	Ring - Ø 42 X 57 X 11 mm	1
346 00 914	Pin Bellow Cap	1
346 01 418	Tappet	2
346 01 419	Ring	2
346 01 420	Tappet Boot	2
346 01 637	Calibration Bolt Locking Plate	2
346 00 799	Caliper Calibration Bolt - R	1
346 01 638	Calibration Bolt Ring	2
346 01 639	Caliper Shaft Housing	1
346 00 800	Caliper Calibration Bolt - L	1
346 01 640	Spring	2
346 01 614	Caliper Head Cap	2
346 01 616	Caliper Head Seal	2
346 01 617	Caliper Head Bolt - M10 X 1 / 40 mm	2
346 01 636	Caliper Head Gasket	1
346 00 816	Bolt - M16 X 1.5 / 40 mm	5
346 01 642	Roller Bearing	2
346 01 641	Roller Bearing	2
346 01 616	Caliper Head Seal	2
346 01 643	Mechanism Gear - R	1
346 01 644	Mechanism Gear - L	1
346 01 645	Mechanism Pin	2
346 01 646	Spring	2
346 01 647	Washer	4
346 01 648	Circlip	2
346 01 072	Lever Pin	1
346 01 649	Lever Gear	2
346 01 650	Mechanism	1
346 01 651	Bearing	1
346 01 652	Spring	1
346 01 653	Circlip	1
346 01 654	Circlip	2
346 01 655	Washer	1
346 01 656	Washer	1
346 01 066	Caliper Lever	1
346 01 065	Caliper Bearing Saddle	1
346 01 541	Grease - 5 g	1

WABCO
19.5"
22.5"
Double
Piston

346 01 486/1 Caliper Complete Repair Kit Without Chrome Plated Pins

MAXX 22



MAXX 22

Truckexpert Nr	Description	OEM Nr	Application
346 01 443	Caliper Lever		



Truckexpert Nr	Description	OEM Nr	Application
346 00 709	Caliper Boot Set		



346 00 222	Tappet Boot	1
346 00 224	Pin Boot (White)	2

Truckexpert Nr	Description	OEM Nr	Application
346 00 708	Caliper Boot Set		



346 00 222	Tappet Boot	1
346 00 223	Pin Boot	2

WABCO

MAXX 22

Truckexpert Nr	Description	OEM Nr	Application
346 01 471	Caliper Tapet Boot & Cap	640 322 932 2	



346 00 222	Tappet Boot	1
346 01 614	Caliper Head Cap	1

Truckexpert Nr	Description	OEM Nr	Application
346 01 448	Caliper Boot & Pin Bush Repair Kit		



346 01 441	Pin Bush - Ø 42 X 38 8 35 mm	3
346 00 888	Pin Cap - Ø 42 / 17 mm	2
346 00 222	Tappet Boot	1
346 00 223	Pin Boot (Green)	2
346 01 631	Washer	2
346 01 614	Caliper Head Cap	1
346 01 541	Grease - 5 g	2


Truckexpert Nr	Description	OEM Nr	Application
346 00 190	Caliper Boot Set		
			
346 00 222	Tappet Boot		1
346 00 223	Pin Boot		2
346 01 631	Washer		2

Truckexpert Nr	Description	OEM Nr	Application
346 01 440	Caliper Boot & Pin Repair Kit	640 322 926 2	
			
346 00 862	Caliper Pin - Ø 38 / 118 mm		1
346 00 406	Caliper Pin - Ø 38 / 76 mm		1
346 00 218	Pin Bolt - M16 X 1.5 / 120 mm		1
346 00 803	Pin Bolt - M16 X 1.5 / 80 mm		1
346 01 441	Pin Bush - Ø42 X 38 8 35 mm		3
346 00 888	Pin Cap - Ø 42 / 17 mm		2
346 00 222	Tappet Boot		1
346 00 223	Pin Boot (Green)		2
346 01 631	Washer		2
346 01 614	Caliper Head Cap		1
346 01 541	Grease - 5 g		2

346 01 440/1 Caliper Boot & Pin Repair Kit Without Chrome Plated Pins

WABCO
MAXX 22

Truckexpert Nr	Description	OEM Nr	Application
346 02 043	Calibration Bolt		



Truckexpert Nr	Description	OEM Nr	Application
346 02 044	Caliper Complete Mechanism Set		
346 01 454	Bevel Washer (Small)	3	
346 01 455	Bevel Washer (Big)	1	
346 01 456	Washer	1	
346 01 457	Clips (Small)	1	
346 01 458	Clips (Big)	1	
346 01 452	Mechanism Slot	1	
346 02 043	Calibration Bolt	1	
346 01 460	Torsion Spring Ring(Thick)	1	
346 01 459	Torsion Spring Ring(Thin)	1	
346 01 453	Torsion Spring	1	
346 01 461	Mechanism Gear	1	
346 01 463	Mechanism Shield	1	
346 01 464	Calibration Bolt Seal	1	
346 01 449	Shaft Housing	1	



Truckexpert Nr	Description	OEM Nr	Application
346 01 449	Shaft Housing		



Truckexpert Nr	Description	OEM Nr	Application
346 01 469	Adjusting Mechanism Washer Set		



346 01 454	Bevel Washer (Small)	3
346 01 455	Bevel Washer (Big)	1
346 01 456	Washer	1
346 01 457	Clips (Small)	1
346 01 458	Clips (Big)	1

Truckexpert Nr	Description	OEM Nr	Application
346 01 444	Caliper Bearing Set		



346 01 462	Caliper Needle Bearing	2
346 01 445	Lever Bearing	2
346 01 446	Roller Bearing	2

Truckexpert Nr	Description	OEM Nr	Application
346 01 934	Caliper Needle Bearing Set		



346 01 462	Caliper Needle Bearing	2
-------------------	------------------------	---

Truckexpert Nr	Description	OEM Nr	Application
346 02 048	Caliper Lever		



346 01 443	Caliper Lever	1
346 01 445	Lever Bearing	2
346 01 446	Roller Bearing	2

WABCO

MAXX 22

Truckexpert Nr	Description	OEM Nr	Application
346 01 451	Caliper Adjusting Mechanism Set		
			
	346 01 454	Bevel Washer (Small)	3
	346 01 455	Bevel Washer (Big)	1
	346 01 456	Washer	1
	346 01 457	Clips (Small)	1
	346 01 458	Clips (Big)	1
	346 01 452	Mechanism Slot	1
	346 02 043	Calibration Bolt	1
	346 01 460	Torsion Spring Ring (Thick)	1
	346 01 459	Torsion Spring Ring (Thin)	1
	346 01 453	Torsion Spring	1
	346 01 461	Mechanism Gear	1
	346 01 463	Mechanism Shield	1
	346 01 464	Calibration Bolt Seal	1

Truckexpert Nr	Description	OEM Nr	Application
346 01 470	Adjusting Mechanism Shield Set		
			
	346 01 463	Mechanism Shield	5

Truckexpert Nr	Description	OEM Nr	Application
346 01 475	Calibration Bolt Seal Set		
			
	346 01 464	Calibration Bolt Seal	5



MAXX 22

Truckexpert Nr	Description	OEM Nr	Application
346 01 476	Caliper Cover Seal Set		
			
		346 01 447	Cover Seal 5

Truckexpert Nr	Description	OEM Nr	Application
346 02 045	Brake Lining Plate - L		
			

Truckexpert Nr	Description	OEM Nr	Application
346 02 046	Brake Lining Plate - R		
			

Truckexpert Nr	Description	OEM Nr	Application
346 02 375	Caliper Brake Pad Sensor	640 322 928 2	
			

WABCO

MAXX 22

Truckexpert Nr	Description	OEM Nr	Application
346 01 472	Caliper Manuel Adjusting Repair Kit		



346 01 465	Adjuster Shaft	1
346 01 466	Adjuster Gear	1
346 01 473	Head Seal	1
346 01 614	Head Cap	1

Truckexpert Nr	Description	OEM Nr	Application
346 01 480	Caliper Pad Retainer Kit		



Truckexpert Nr	Description	OEM Nr	Application
346 02 047	Caliper Cover Set		



346 01 447	Cover Seal	1
346 01 605	Bolt	6
346 02 518	Cover	1

Truckexpert Nr	Description	OEM Nr	Application
----------------	-------------	--------	-------------

346 01 488 Caliper Complete Repair Set - L



346 00 862	Caliper Pin - Ø 38 / 118 mm	1
346 00 406	Caliper Pin - Ø 38 / 76 mm	1
346 00 218	Pin Bolt - M16 X 1.5 / 120 mm	1
346 00 803	Pin Bolt - M16 X 1.5 / 80 mm	1
346 01 441	Pin Bush - Ø42 X 38 8 35 mm	3
346 00 888	Pin Cap - Ø 42 / 17 mm	2
346 00 222	Tappet Boot	1
346 00 223	Pin Boot (Green)	2
346 01 631	Washer	2
346 01 614	Caliper Head Cap	1
346 02 045	Brake Lining Plate - L	1
346 01 454	Bevel Washer (Small)	3
346 01 455	Bevel Washer (Big)	1
346 01 456	Washer	1
346 01 457	Clips (Small)	1
346 01 458	Clips (Big)	1
346 01 452	Mechanism Slot	1
346 02 043	Calibration Bolt	1
346 01 460	Torsion Spring Ring (Thick)	1
346 01 459	Torsion Spring Ring (Thin)	1
346 01 453	Torsion Spring	1
346 01 461	Mechanism Gear	1
346 01 463	Mechanism Shield	1
346 01 464	Calibration Bolt Seal	1
346 01 449	Shaft Housing	1
346 01 462	Caliper Needle Bearing	2
346 01 443	Caliper Lever	1
346 01 445	Lever Bearing	2
346 01 446	Roller Bearing	2
346 01 447	Cover Seal	1
346 01 605	Bolt	6
346 01 465	Adjuster Shaft	1
346 01 466	Adjuster Gear	1
346 01 473	Head Seal	1
346 01 541	Grease - 5 g	1

346 01 488/1 Caliper Complete Repair Set - L Without Chrome Plated Pins

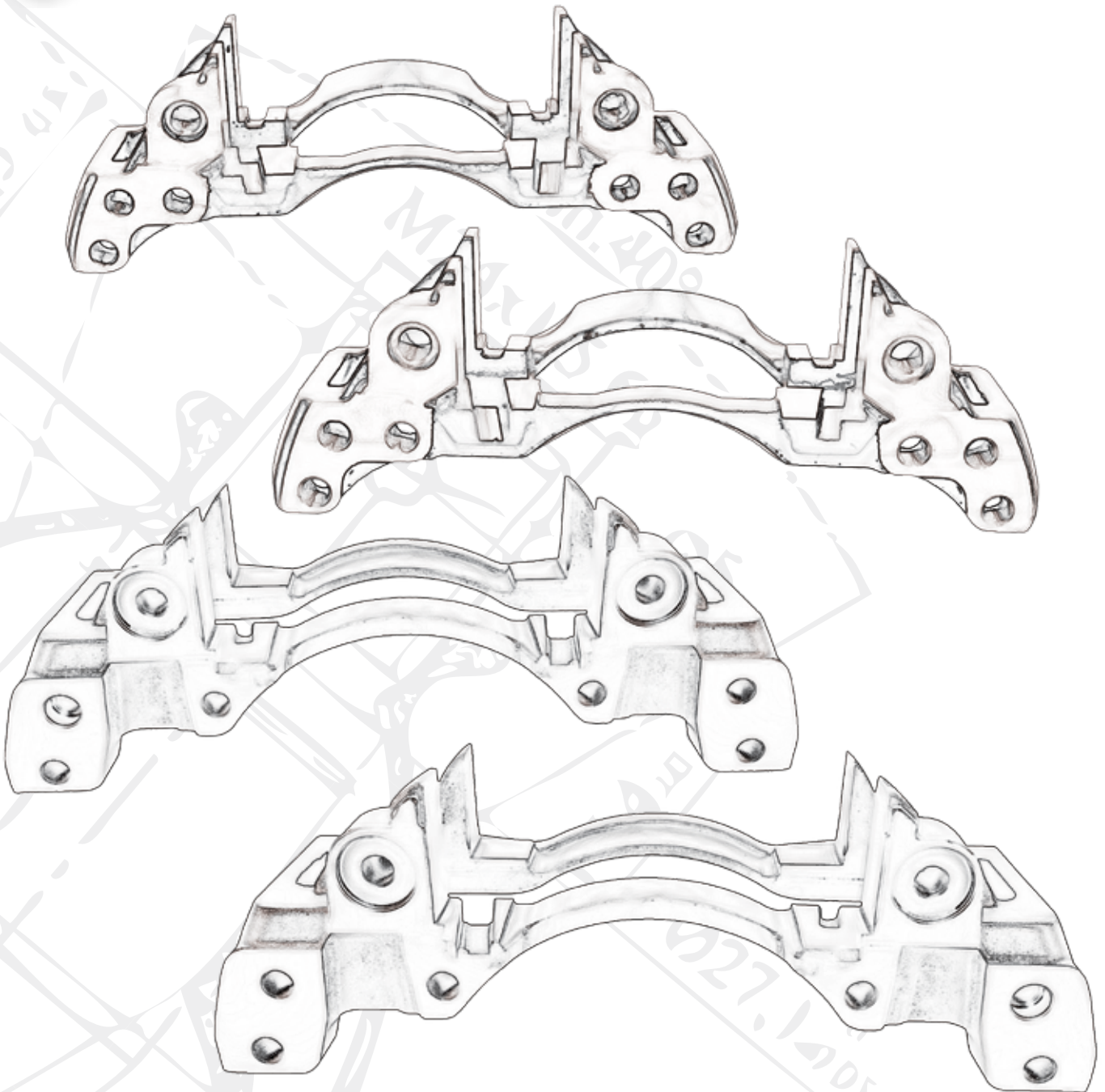
Truckexpert Nr	Description	OEM Nr	Application
346 01 489	Caliper Complete Repair Set - R		



346 00 862	Caliper Pin - Ø 38 / 118 mm	1
346 00 406	Caliper Pin - Ø 38 / 76 mm	1
346 00 218	Pin Bolt - M16 X 1.5 / 120 mm	1
346 00 803	Pin Bolt - M16 X 1.5 / 80 mm	1
346 01 441	Pin Bush - Ø42 X 38 8 35 mm	3
346 00 888	Pin Cap - Ø 42 / 17 mm	2
346 00 222	Tappet Boot	1
346 00 223	Pin Boot (Green)	2
346 01 631	Washer	2
346 01 614	Caliper Head Cap	1
346 02 046	Brake Lining Plate - R	1
346 01 454	Bevel Washer (Small)	3
346 01 455	Bevel Washer (Big)	1
346 01 456	Washer	1
346 01 457	Clips (Small)	1
346 01 458	Clips (Big)	1
346 01 452	Mechanism Slot	1
346 02 043	Calibration Bolt	1
346 01 460	Torsion Spring Ring (Thick)	1
346 01 459	Torsion Spring Ring (Thin)	1
346 01 453	Torsion Spring	1
346 01 461	Mechanism Gear	1
346 01 463	Mechanism Shield	1
346 01 464	Calibration Bolt Seal	1
346 01 449	Shaft Housing	1
346 01 462	Caliper Needle Bearing	2
346 01 443	Caliper Lever	1
346 01 445	Lever Bearing	2
346 01 446	Roller Bearing	2
346 01 447	Cover Seal	1
346 01 605	Bolt	6
346 01 465	Adjuster Shaft	1
346 01 466	Adjuster Gear	1
346 01 473	Head Seal	1
346 01 541	Grease - 5 g	1

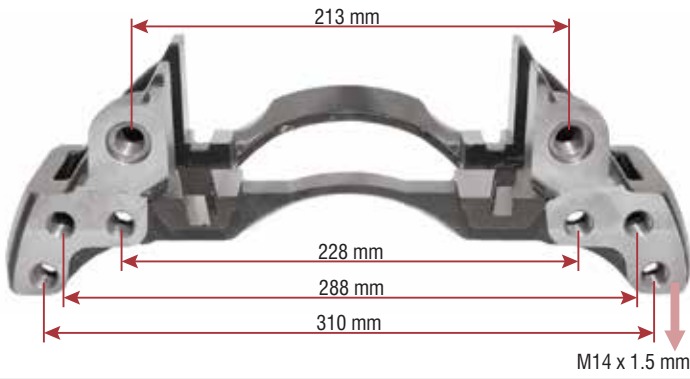
346 01 489/1 Caliper Complete Repair Set - R Without Chrome Plated Pins

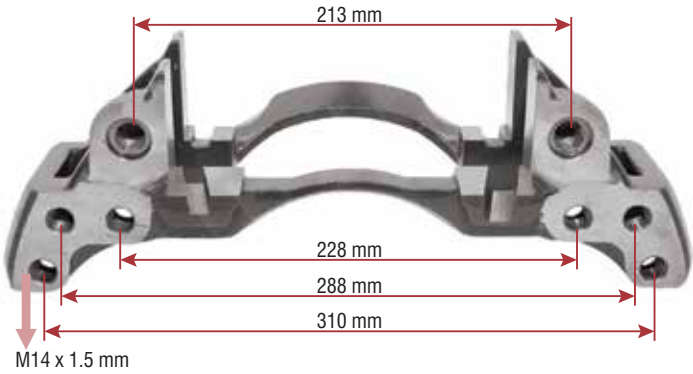
Wabco Carriers

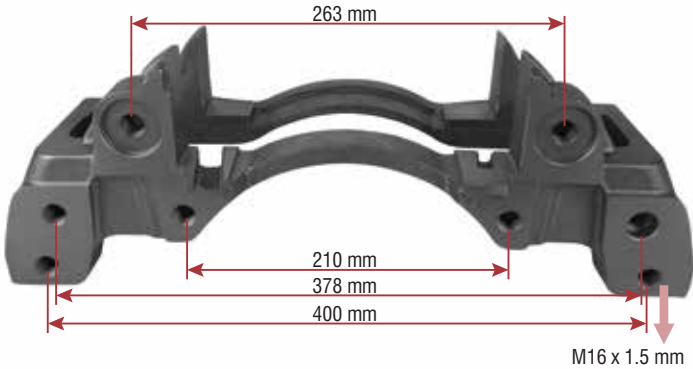


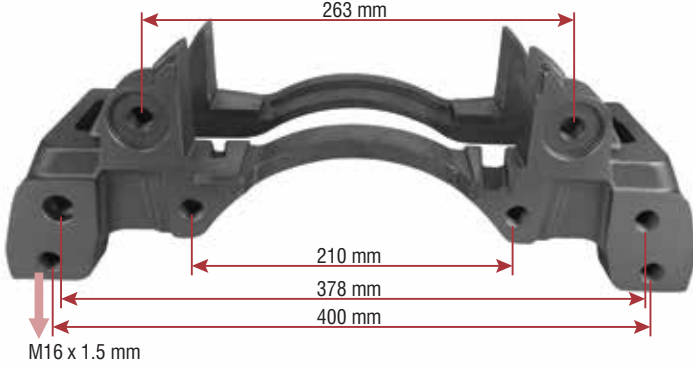
WABCO

CARRIERS

Truckexpert Nr	Description	OEM Nr	Application
346 01 983	Caliper Carrier Left		17.5"
			

Truckexpert Nr	Description	OEM Nr	Application
346 01 984	Caliper Carrier Right		17.5"
			

Truckexpert Nr	Description	OEM Nr	Application
346 01 985	Caliper Carrier Left		22.5"
			

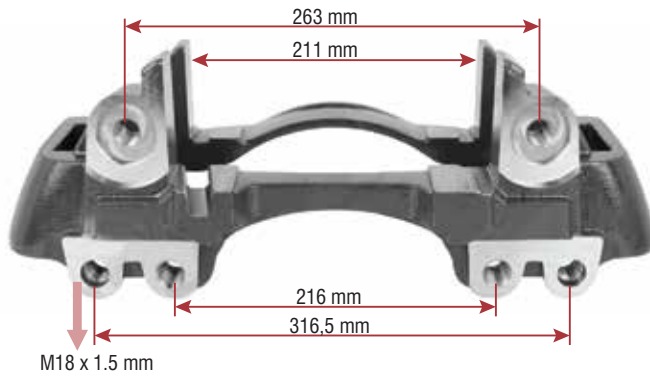
Truckexpert Nr	Description	OEM Nr	Application
346 01 986	Caliper Carrier Right		22.5"
			

Truckexpert Nr	Description	OEM Nr	Application
----------------	-------------	--------	-------------

346 02 401

Caliper Carrier 22,5" Left

SAF Trailer Axle - 4 Hole

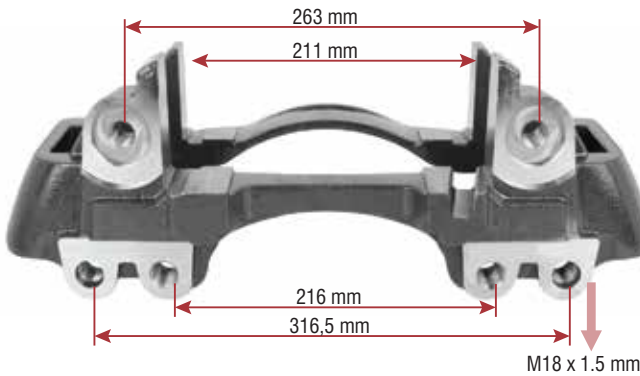


Truckexpert Nr	Description	OEM Nr	Application
----------------	-------------	--------	-------------

346 02 402

Caliper Carrier 22,5" Right

SAF Trailer Axle - 4 Hole

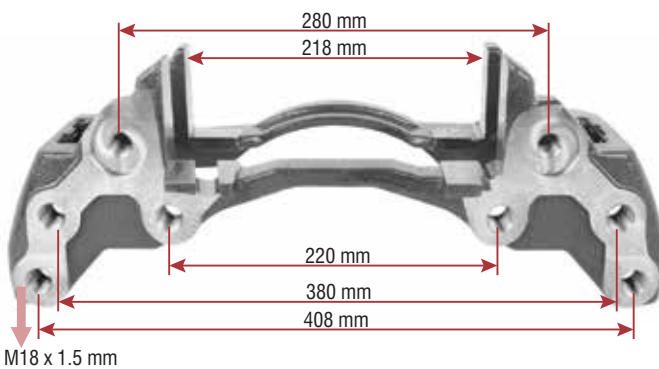


Truckexpert Nr	Description	OEM Nr	Application
----------------	-------------	--------	-------------

346 02 403

Caliper Carrier 22,5" Left

MAXX 22

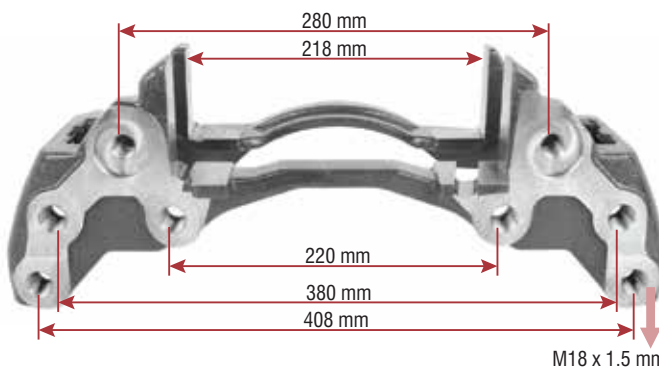


Truckexpert Nr	Description	OEM Nr	Application
----------------	-------------	--------	-------------

346 02 404

Caliper Carrier 22,5" Right

MAXX 22



WABCO

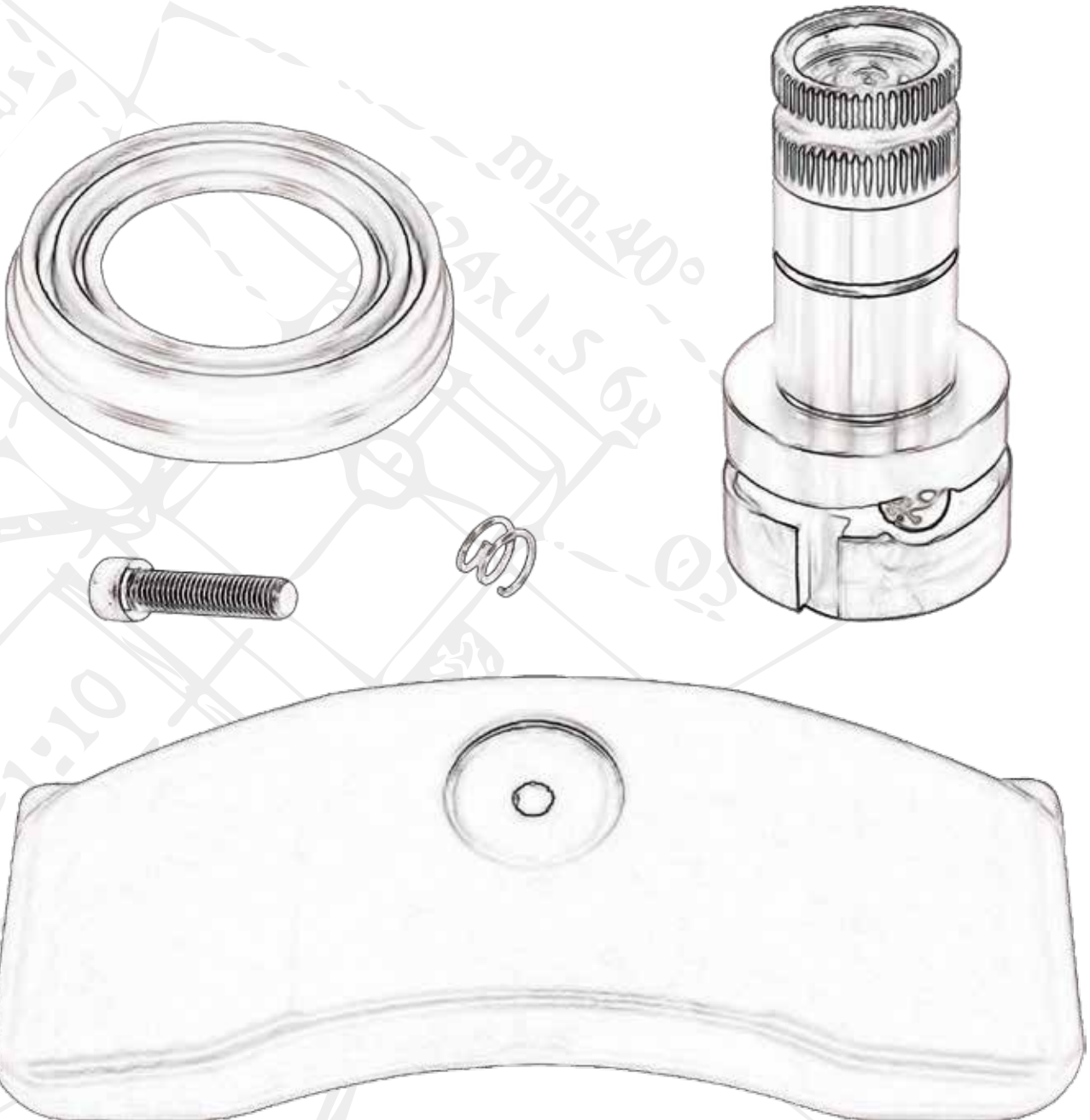
CARRIERS

Truckexpert Nr	Description	OEM Nr	Application
346 02 405	Caliper Carrier 19,5" Left / Right		SAF Trailer Axle
<p>263 mm 211 mm 176 mm 341 mm 360 mm M16 x 1.5 mm</p>			



CARRIERS

17.5" / 1000 V-G
19.5" / 1300 V-G



WABCO

1000 V-G
1300 V-G

Truckexpert Nr	Description	OEM Nr	Application
346 00 490	Caliper Pin Repair Kit	12 999 729 Per Axle	1000 V-G



WABCO

1000 V-G
1300 V-G

346 00 858	Caliper Pin - Ø 24,6 / 81 mm	2
346 00 859	Caliper Pin - Ø 25 / 81 mm	2
346 00 879	Pin Bush - Ø 25 X 28 / 15 mm	8
346 00 372	Pin Cap - Ø28/ 16 mm	4
346 01 657	Pin Bolt - M12 X 1.5 / 90 mm	4
346 01 658	Tappet Boot	2
346 01 659	Pin Boot	4
346 01 660	Seal	2
346 01 661	O-Ring	2
346 01 662	Rubber Cap	2
346 01 663	Bolt	2
346 01 664	Spring	2
346 01 541	Grease - 5 g	2

346 00 490/1 Caliper Pin Repair Kit Without Chrome Plated Pins

Truckexpert Nr	Description	OEM Nr	Application
346 01 978	Caliper Boot Repair Kit		1300 V-G



346 01 427	Piston Boot	1
346 01 498	Pin Boot	2

Truckexpert Nr	Description	OEM Nr	Application
346 01 436	Caliper Boot & Seal Repair Kit		1300 V-G



346 01 427	Piston Boot	1
346 01 498	Pin Boot	2
346 01 425	Spline Shaft Cover	1
346 01 437	Spline Shaft Seal	1
346 01 433	Bevel Seal	1
346 01 967	Plate Bolt	1
346 01 968	Plate Spring	1
346 01 416	Plug	1

Truckexpert Nr	Description	OEM Nr	Application
346 01 493	Caliper Pin Repair Kit		1300 V-G



346 01 494	Caliper Pin Ø 35 / 110 mm	1
346 01 495	Caliper Pin Ø 34,8 / 98,5 mm	1
346 01 496	Pin Bolt - M16 X 1,5 / 110 mm	2
346 01 497	Pin Bush - Ø 35 X 39 / 20 mm	3
346 00 888	Pin Cap - Ø 42 / 17 mm	2
346 01 498	Pin Boot	2
346 01 541	Grease - 5 g	2

346 01 493/1 Caliper Pin Repair Kit Without Chrome Plated Pins

WABCO
1000 V-G
1300 V-G

Truckexpert Nr	Description	OEM Nr	Application
346 01 971	Caliper Brake Lining Plate Set		1300 V-G



346 01 972	Brake Lining Plate	1
346 01 967	Plate Bolt	1
346 01 968	Plate Spring	1

Truckexpert Nr	Description	OEM Nr	Application
346 01 971	Caliper Lever		1300 V-G



Truckexpert Nr	Description	OEM Nr	Application
346 01 980	Caliper Seal & Bearing Set		1300 V-G



346 01 425	Spline Shaft Cover	1
346 01 437	Spline Shaft Seal	1
346 01 433	Bevel Seal	1
346 01 975	Washer	1
346 01 976	Trust Washer	2
346 01 977	Trust Bearing	1
346 01 979	Clips	1

Truckexpert Nr	Description	OEM Nr	Application
346 02 204	Caliper Pin Repair Kit		12 999 734VT 4054200076



346 01 494	Caliper Pin Ø 35 / 110 mm	1
346 01 495	Caliper Pin Ø 34,8 / 98,5 mm	1
346 01 496	Pin Bolt - M16 X 1.5 / 110 mm	2
346 01 497	Pin Bush - Ø 35 X 39 / 20 mm	3
346 00 888	Pin Cap - Ø 42 / 17 mm	2
346 01 498	Pin Boot	2
346 01 416	Plug	1
346 01 541	Grease - 5 g	1

346 02 204/1 Caliper Pin Repair Kit Without Chrome Plated Pins

Truckexpert Nr	Description	OEM Nr	Application
346 01 969	Caliper Piston Repair Kit - L		1300 V-G



346 01 490	Piston - L	1
346 01 427	Piston Boot	1
346 02 068	Cover Boot - M12 X 1.5 / 50 mm	4
346 01 967	Plate Bolt	1
346 01 968	Plate Spring	1
346 01 492	Socket Pin	1
346 01 499	Socket Spring	1
346 01 500	Socket Plug	1

Truckexpert Nr	Description	OEM Nr	Application
346 01 970	Caliper Piston Repair Kit - R		1300 V-G



346 01 491	Piston - R	1
346 01 427	Piston Boot	1
346 02 068	Cover Boot - M12 X 1.5 / 50 mm	4
346 01 967	Plate Bolt	1
346 01 968	Plate Spring	1
346 01 492	Socket Pin	1
346 01 499	Socket Spring	1
346 01 500	Socket Plug	1

WABCO
1000 V-G
1300 V-G

Truckexpert Nr	Description	OEM Nr	Application
346 01 973	Caliper Spline Shaft Mechanism Set - L		1300 V-G



346 01 484	Spline Shaft Mechanism - L	1
346 01 427	Piston Boot	1
346 02 068	Cover Bolt - M12 X 1.5 / 50 mm	4
346 01 425	Spline Shaft Cover	1
346 01 437	Spline Shaft Seal	1
346 01 433	Bevel Seal	1
346 01 975	Washer	1
346 01 976	Thrust Washer	2
346 01 977	Thrust Bearing	1
346 01 979	Clips	1
346 01 416	Plug	1

Truckexpert Nr	Description	OEM Nr	Application
346 01 974	Caliper Spline Shaft Mechanism Set - R		1300 V-G



346 01 485	Spline Shaft Mechanism - R	1
346 01 427	Piston Boot	1
346 02 068	Cover Bolt - M12 X 1.5 / 50 mm	4
346 01 425	Spline Shaft Cover	1
346 01 437	Spline Shaft Seal	1
346 01 433	Bevel Seal	1
346 01 975	Washer	1
346 01 976	Thrust Washer	2
346 01 977	Thrust Bearing	1
346 01 979	Clips	1
346 01 416	Plug	1

Truckexpert Nr	Description	OEM Nr	Application
346 01 981	Caliper Complete Repair Set - L		1300 V-G



WABCO

1000 V-G
1300 V-G

346 01 494	Caliper Pin Ø 35 / 110 mm	1
346 01 495	Caliper Pin Ø 34,8 / 98,5 mm	1
346 01 496	Pin Bolt - M16 X 1.5 / 110 mm	2
346 01 497	Pin Bush - Ø 35 X 39 / 20 mm	3
346 00 888	Pin Cap - Ø 42 / 17 mm	2
346 01 498	Pin Boot	2
346 01 484	Spline Shaft Mechanism - L	1
346 01 427	Piston Boot	1
346 02 068	Cover Bolt - M12 X 1.5 / 50 mm	4
346 01 425	Spline Shaft Cover	1
346 01 437	Spline Shaft Seal	1
346 01 433	Bevel Seal	1
346 01 975	Washer	1
346 01 976	Thrust Washer	2
346 01 977	Thrust Bearing	1
346 01 979	Clips	1
346 01 416	Plug	1
346 01 490	Piston - L	1
346 01 972	Brake Lining Plate	1
346 01 967	Plate Bolt	1
346 01 968	Plate Spring	1
346 01 492	Socket Pin	1
346 01 499	Socket Spring	1
346 01 500	Socket Plug	1
346 01 541	Grease - 5 g	2

346 01 981/1 Caliper Complete Repair Set - L Without Chrome Plated Pins

Truckexpert Nr	Description	OEM Nr	Application
346 01 982	Caliper Complete Repair Set - R		1300 V-G



346 01 494	Caliper Pin Ø 35 / 110 mm	1
346 01 495	Caliper Pin Ø 34,8 / 98,5 mm	1
346 01 496	Pin Bolt - M16 X 1.5 / 110 mm	2
346 01 497	Pin Bush - Ø 35 X 39 / 20 mm	3
346 00 888	Pin Cap - Ø 42 / 17 mm	2
346 01 498	Pin Boot	2
346 01 485	Spline Shaft Mechanism - R	1
346 01 427	Piston Boot	1
346 02 068	Cover Bolt - M12 X 1.5 / 50 mm	4
346 01 425	Spline Shaft Cover	1
346 01 437	Spline Shaft Seal	1
346 01 433	Bevel Seal	1
346 01 975	Washer	1
346 01 976	Thrust Washer	2
346 01 977	Thrust Bearing	1
346 01 979	Clips	1
346 01 416	Plug	1
346 01 491	Piston - R	1
346 01 972	Brake Lining Plate	1
346 01 967	Plate Bolt	1
346 01 968	Plate Spring	1
346 01 492	Socket Pin	1
346 01 499	Socket Spring	1
346 01 500	Socket Plug	1
346 01 541	Grease - 5 g	2

346 01 982/1 Caliper Complete Repair Set - R Without Chrome Plated Pins



HALDEX

www.Lkwexpert.com


HALDEX

Truckexpert Nr	Description	OEM Nr	Application
346 00 502	Caliper Cap Set	89927	MARK IV



346 00 896	Pin Cap - Ø 57 / 40 mm	2
-------------------	------------------------	---


Truckexpert Nr	Description	OEM Nr	Application
346 02 083	Caliper Pin Repair Kit	89541	MARK III MARK IV



346 00 819	Pin Bolt - M14 x 2 / 53 mm	4
346 00 865	Caliper Pin - Ø 35 / 70 mm	4
346 00 896	Pin Cap - Ø 57 / 40 mm	2
346 00 897	Steel Cap	4
346 01 795	Plastic Bush	4
346 01 796	Ring	8
346 01 797	Plug	2
346 00 149	Pin Boot	8
346 01 541	Grease - 5 g	2

346 02 083/1 Caliper Pin Repair Kit Without Chrome Plated Pins


Truckexpert Nr	Description	OEM Nr	Application
346 01 210	Caliper Pin Repair Kit	87406	MARK II MARK III



346 02 079	Caliper Pin - Ø 35 / 69 mm	4
346 02 080	Pin Bolt - M14 x 2 / 60 mm	4
346 00 149	Pin Boot	8
346 01 795	Plastic Bush	4
346 01 796	Ring	8
346 02 085	Steel Cap	4
346 01 797	Plug - (Mk III)	2
346 01 798	O-Ring - (Mk II)	2
346 01 803	Plug - (Mk II)	2
346 01 799	Bolt - (Mk II)	2
346 01 541	Grease - 5 g	2

346 01 210/1 Caliper Pin Repair Kit Without Chrome Plated Pins


HALDEX
MARK

Truckexpert Nr	Description	OEM Nr	Application																																	
346 01 211	Caliper Pin Bolt Repair Kit	94661	MARK II MARK III MARK IV																																	
																																				
			<table border="1"> <tbody> <tr><td>346 00 149</td><td>Pin Boot</td><td>8</td></tr> <tr><td>346 01 796</td><td>Ring</td><td>8</td></tr> <tr><td>346 01 795</td><td>Plastic Bush</td><td>4</td></tr> <tr><td>346 02 085</td><td>Steel Cap</td><td>4</td></tr> <tr><td>346 02 080</td><td>Pin Bolt - M14 x 2 / 60 mm</td><td>4</td></tr> <tr><td>346 00 819</td><td>Pin Bolt - M14 x 2 / 53 mm</td><td>4</td></tr> <tr><td>346 00 896</td><td>Pin Cap - Ø 57 / 40 mm - (Mk IV)</td><td>2</td></tr> <tr><td>346 01 797</td><td>Plug - (Mk III)</td><td>2</td></tr> <tr><td>346 01 798</td><td>O-Ring - (Mk II)</td><td>2</td></tr> <tr><td>346 01 803</td><td>Plug - (Mk II)</td><td>2</td></tr> <tr><td>346 01 799</td><td>Bolt - (Mk II)</td><td>2</td></tr> </tbody> </table>	346 00 149	Pin Boot	8	346 01 796	Ring	8	346 01 795	Plastic Bush	4	346 02 085	Steel Cap	4	346 02 080	Pin Bolt - M14 x 2 / 60 mm	4	346 00 819	Pin Bolt - M14 x 2 / 53 mm	4	346 00 896	Pin Cap - Ø 57 / 40 mm - (Mk IV)	2	346 01 797	Plug - (Mk III)	2	346 01 798	O-Ring - (Mk II)	2	346 01 803	Plug - (Mk II)	2	346 01 799	Bolt - (Mk II)	2
346 00 149	Pin Boot	8																																		
346 01 796	Ring	8																																		
346 01 795	Plastic Bush	4																																		
346 02 085	Steel Cap	4																																		
346 02 080	Pin Bolt - M14 x 2 / 60 mm	4																																		
346 00 819	Pin Bolt - M14 x 2 / 53 mm	4																																		
346 00 896	Pin Cap - Ø 57 / 40 mm - (Mk IV)	2																																		
346 01 797	Plug - (Mk III)	2																																		
346 01 798	O-Ring - (Mk II)	2																																		
346 01 803	Plug - (Mk II)	2																																		
346 01 799	Bolt - (Mk II)	2																																		

Truckexpert Nr	Description	OEM Nr	Application																		
346 02 084	Caliper Pin Repair Kit		MARK III MARK IV																		
																					
			<table border="1"> <tbody> <tr><td>346 00 819</td><td>Pin Bolt - M14 x 2 / 53 mm</td><td>4</td></tr> <tr><td>346 00 865</td><td>Caliper Pin - Ø 35 / 70 mm</td><td>4</td></tr> <tr><td>346 01 796</td><td>Ring</td><td>8</td></tr> <tr><td>346 01 795</td><td>Plastic Bush</td><td>4</td></tr> <tr><td>346 01 797</td><td>Plug</td><td>2</td></tr> <tr><td>346 00 149</td><td>Pin Boot</td><td>8</td></tr> </tbody> </table>	346 00 819	Pin Bolt - M14 x 2 / 53 mm	4	346 00 865	Caliper Pin - Ø 35 / 70 mm	4	346 01 796	Ring	8	346 01 795	Plastic Bush	4	346 01 797	Plug	2	346 00 149	Pin Boot	8
346 00 819	Pin Bolt - M14 x 2 / 53 mm	4																			
346 00 865	Caliper Pin - Ø 35 / 70 mm	4																			
346 01 796	Ring	8																			
346 01 795	Plastic Bush	4																			
346 01 797	Plug	2																			
346 00 149	Pin Boot	8																			
346 02 084/1 Caliper Pin Repair Kit Without Chrome Plated Pins																					

Truckexpert Nr	Description	OEM Nr	Application															
346 01 212	Caliper Bolt Set		MARK III MARK IV															
																		
			<table border="1"> <tbody> <tr><td>346 00 896</td><td>Pin Cap - Ø 57 / 40 mm</td><td>2</td></tr> <tr><td>346 00 149</td><td>Pin Boot</td><td>8</td></tr> <tr><td>346 01 795</td><td>Plastic Bush</td><td>4</td></tr> <tr><td>346 01 796</td><td>Ring</td><td>8</td></tr> <tr><td>346 01 797</td><td>Plug</td><td>2</td></tr> </tbody> </table>	346 00 896	Pin Cap - Ø 57 / 40 mm	2	346 00 149	Pin Boot	8	346 01 795	Plastic Bush	4	346 01 796	Ring	8	346 01 797	Plug	2
346 00 896	Pin Cap - Ø 57 / 40 mm	2																
346 00 149	Pin Boot	8																
346 01 795	Plastic Bush	4																
346 01 796	Ring	8																
346 01 797	Plug	2																

Truckexpert Nr	Description	OEM Nr	Application
346 01 213	Caliper Pin Boot & Plug Set	87680	MARK II MARK III MARK IV



346 00 149	Pin Boot	8
346 01 795	Plastic Bush	4
346 01 796	Ring	8
346 02 085	Steel Cap	4
346 00 896	Pin Cap - Ø 57 / 40 mm - (Mk IV)	2
346 01 797	Plug - (Mk III)	2
346 01 798	O-Ring - (Mk II)	2
346 01 803	Plug - (Mk II)	2
346 01 799	Bolt - (Mk II)	2

Truckexpert Nr	Description	OEM Nr	Application
346 01 214	Caliper Pin Boot & Plug Set	89723	MARK II MARK III MARK IV



346 00 149	Pin Boot	2
346 01 795	Plastic Bush	1
346 01 796	Ring	2
346 02 085	Steel Cap	4
346 00 896	Pin Cap - Ø 57 / 40 mm - (Mk IV)	2
346 01 797	Plug - (Mk III)	2
346 01 798	O-Ring - (Mk II)	2
346 01 803	Plug - (Mk II)	2
346 01 799	Bolt - (Mk II)	2

Truckexpert Nr	Description	OEM Nr	Application
346 00 493	Caliper Boot & Plug Set	87405	MARK II MARK III




346 01 797	Plug (Mk III)	2
346 01 709	Tappet Boot 78,5 mm	2
346 01 428	Spring - 78,5 mm	2
346 01 798	O-ring (Mk II)	2
346 01 799	Bolt (Mk II)	2
346 01 801	Clips	2
346 01 803	Plug (Mk II)	2

HALDEX
 MARK

Truckexpert Nr	Description	OEM Nr	Application																					
346 00 763	Caliper Boot & Plug Set	94663	MARK II MARK III																					
																								
<table border="1"> <tbody> <tr> <td>346 01 709</td> <td>Tappet Boot - 78.5 mm</td> <td>2</td> </tr> <tr> <td>346 01 801</td> <td>Clips</td> <td>2</td> </tr> <tr> <td>346 01 804</td> <td>Seal</td> <td>2</td> </tr> <tr> <td>346 01 797</td> <td>Plug - (Mk III)</td> <td>2</td> </tr> <tr> <td>346 01 798</td> <td>O-Ring - (Mk II)</td> <td>2</td> </tr> <tr> <td>346 01 803</td> <td>Plug - (Mk II)</td> <td>2</td> </tr> <tr> <td>346 01 799</td> <td>Bolt - (Mk II)</td> <td>2</td> </tr> </tbody> </table>				346 01 709	Tappet Boot - 78.5 mm	2	346 01 801	Clips	2	346 01 804	Seal	2	346 01 797	Plug - (Mk III)	2	346 01 798	O-Ring - (Mk II)	2	346 01 803	Plug - (Mk II)	2	346 01 799	Bolt - (Mk II)	2
346 01 709	Tappet Boot - 78.5 mm	2																						
346 01 801	Clips	2																						
346 01 804	Seal	2																						
346 01 797	Plug - (Mk III)	2																						
346 01 798	O-Ring - (Mk II)	2																						
346 01 803	Plug - (Mk II)	2																						
346 01 799	Bolt - (Mk II)	2																						

Truckexpert Nr	Description	OEM Nr	Application						
346 01 219	Caliper Plug Set	89925	MARK III						
									
<table border="1"> <tbody> <tr> <td>346 01 797</td> <td>Plug - (Mk III)</td> <td>2</td> </tr> <tr> <td>346 01 804</td> <td>Seal</td> <td>2</td> </tr> </tbody> </table>				346 01 797	Plug - (Mk III)	2	346 01 804	Seal	2
346 01 797	Plug - (Mk III)	2							
346 01 804	Seal	2							

Truckexpert Nr	Description	OEM Nr	Application									
346 00 504	Caliper Adjuster Shaft Set	90693	MARK IV									
												
<table border="1"> <tbody> <tr> <td>346 01 797</td> <td>Plug</td> <td>2</td> </tr> <tr> <td>346 01 804</td> <td>Seal</td> <td>2</td> </tr> <tr> <td>346 01 805</td> <td>Adjuster Shaft</td> <td>2</td> </tr> </tbody> </table>				346 01 797	Plug	2	346 01 804	Seal	2	346 01 805	Adjuster Shaft	2
346 01 797	Plug	2										
346 01 804	Seal	2										
346 01 805	Adjuster Shaft	2										

Truckexpert Nr	Description	OEM Nr	Application												
346 02 407	Caliper Boot Set	94662	MARK IV												
															
<table border="1"> <tbody> <tr> <td>346 00 931</td> <td>Tappet Boot 67 mm</td> <td>2</td> </tr> <tr> <td>346 01 801</td> <td>Clips</td> <td>2</td> </tr> <tr> <td>346 01 797</td> <td>Plug (Mk III)</td> <td>1</td> </tr> <tr> <td>346 02 408</td> <td>Caliper Tappet Bush</td> <td>2</td> </tr> </tbody> </table>				346 00 931	Tappet Boot 67 mm	2	346 01 801	Clips	2	346 01 797	Plug (Mk III)	1	346 02 408	Caliper Tappet Bush	2
346 00 931	Tappet Boot 67 mm	2													
346 01 801	Clips	2													
346 01 797	Plug (Mk III)	1													
346 02 408	Caliper Tappet Bush	2													

Truckexpert Nr	Description	OEM Nr	Application
346 00 506	Caliper Pad Retainer	90673	MARK III MARK IV

346 02 074	Caliper Pad Retainer	1
346 02 075	Bolt - M10 x 1,5 / 25 mm	1



Truckexpert Nr	Description	OEM Nr	Application
346 01 216	Caliper Pad Spring Kit	89924	MARK II MARK III MARK IV

346 02 082	Caliper Pad Spring	2
-------------------	--------------------	---



Truckexpert Nr	Description	OEM Nr	Application
346 01 218	Caliper Pad Retainer Kit	91216	MARK III MARK IV

346 02 074	Caliper Pad Retainer	1
346 02 075	Bolt - M10 x 1,5 / 25 mm	1
346 02 082	Caliper Pad Spring	2



Truckexpert Nr	Description	OEM Nr	Application
346 01 220	Caliper Pad Retainer Kit	94659	MARK III MARK IV

346 02 074	Caliper Pad Retainer	2
346 02 075	Bolt - M10 x 1,5 / 25 mm	2
346 02 082	Caliper Pad Spring	4
346 01 797	Plug - (Mk III)	2



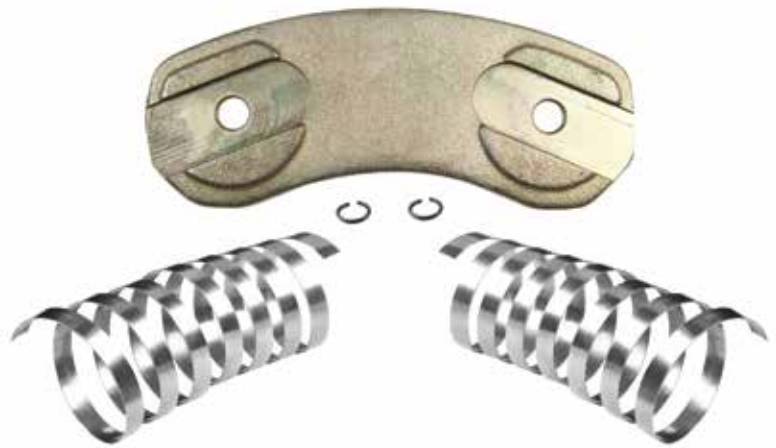
HALDEX
MARK

Truckexpert Nr	Description	OEM Nr	Application
346 01 222	Caliper Spring Set	94665	MARK IV



346 01 800	Spring - 67 mm	2
346 01 801	Clips	2

Truckexpert Nr	Description	OEM Nr	Application
346 01 223	Caliper Spring & Plate Set	92731	MARK IV



346 01 800	Spring - 67 mm	2
346 01 806	Caliper Tappet Plate	1
346 01 801	Clips	2

Truckexpert Nr	Description	OEM Nr	Application
346 00 492	Caliper Boot Set	89794	MARK IV



346 00 931	Tappet Boot 67 mm	2
346 01 800	Spring 67 mm	2
346 01 801	Clips	2

Truckexpert Nr	Description	OEM Nr	Application
346 01 221	Caliper Tappet Plate & Bolt Set	94664	MARK IV



346 00 931	Tappet Boot - 67 mm	2
346 01 806	Caliper Tappet Plate	1
346 00 730	Caliper Calibration Bolt	2
346 01 797	Plug	1
346 01 801	Clips	2

Truckexpert Nr	Description	OEM Nr	Application
346 00 741	Caliper Shaft Housing Set		MARK III




346 02 086	Caliper Shaft Housing	1
346 01 813	Caliper Spring	1

Truckexpert Nr	Description	OEM Nr	Application
346 01 225	Caliper Shaft Housing Set		MARK III



346 02 086	Caliper Shaft Housing	1
346 01 813	Caliper Spring	1
346 02 087	Caliper Ring	2
346 02 088	Caliper Washer	2

Truckexpert Nr	Description	OEM Nr	Application
346 01 224	Caliper Mechanism Cap		MARK III



Truckexpert Nr	Description	OEM Nr	Application
346 01 226	Caliper Tappet & Calibration Bolt Set		MARK III

346 02 091	Tappet & Calibration Bolt - L	1
346 02 092	Tappet & Calibration Bolt - R	1



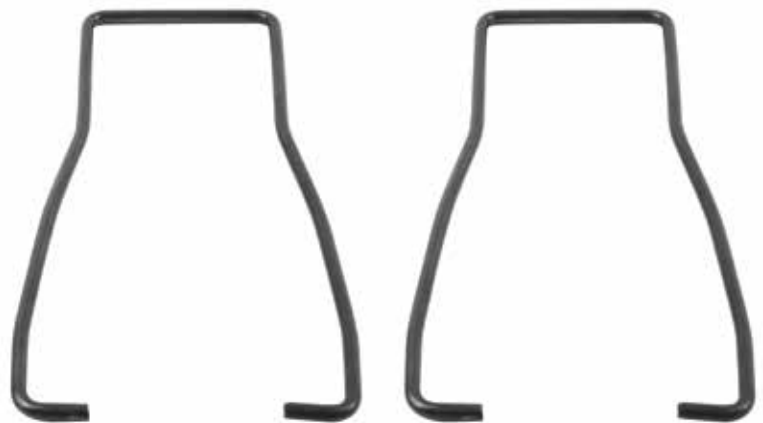
Truckexpert Nr	Description	OEM Nr	Application
346 01 227	Caliper Adjusting Mechanism		MARK III



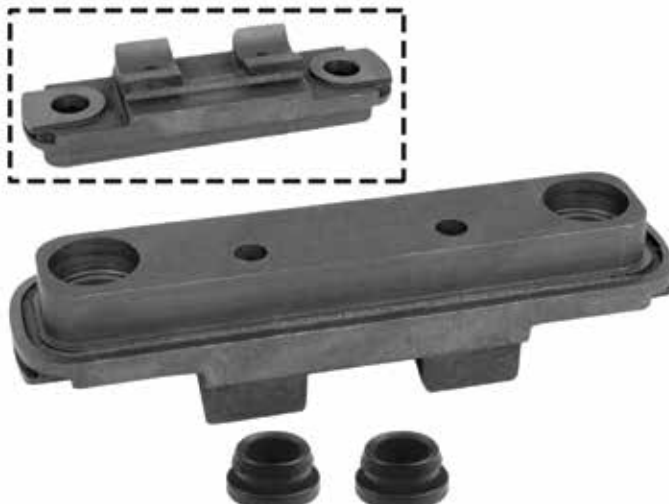
Truckexpert Nr	Description	OEM Nr	Application
346 01 230	Caliper Lever		MARK III



Truckexpert Nr	Description	OEM Nr	Application
346 01 233	Caliper Mechanism Clamp		MARK III



Truckexpert Nr	Description	OEM Nr	Application
346 01 234	Caliper Mechanism Locker Plate Set		MARK III




346 02 093	Mechanism Locker Plate	1
346 01 797	Plug	2

HALDEX
MARK

Truckexpert Nr	Description	OEM Nr	Application
346 01 228	Caliper Calibration Gear - L		MARK III
			

Truckexpert Nr	Description	OEM Nr	Application
346 01 229	Caliper Calibration Gear - R		MARK III
			

Truckexpert Nr	Description	OEM Nr	Application			
346 01 933	Caliper Needle Bearing Set		MARK III			
						
		<table border="1"> <tr> <td>346 02 089</td> <td>Caliper Needle Bearing</td> <td style="text-align: right;">2</td> </tr> </table>	346 02 089	Caliper Needle Bearing	2	
346 02 089	Caliper Needle Bearing	2				

Truckexpert Nr	Description	OEM Nr	Application			
346 01 932	Caliper Needle Bearing Set		MARK III			
						
		<table border="1"> <tr> <td>346 02 090</td> <td>Caliper Needle Bearing</td> <td style="text-align: right;">2</td> </tr> </table>	346 02 090	Caliper Needle Bearing	2	
346 02 090	Caliper Needle Bearing	2				

Truckexpert Nr	Description	OEM Nr	Application
----------------	-------------	--------	-------------

346 01 412

Caliper Complete Mechanism Set

MARK III



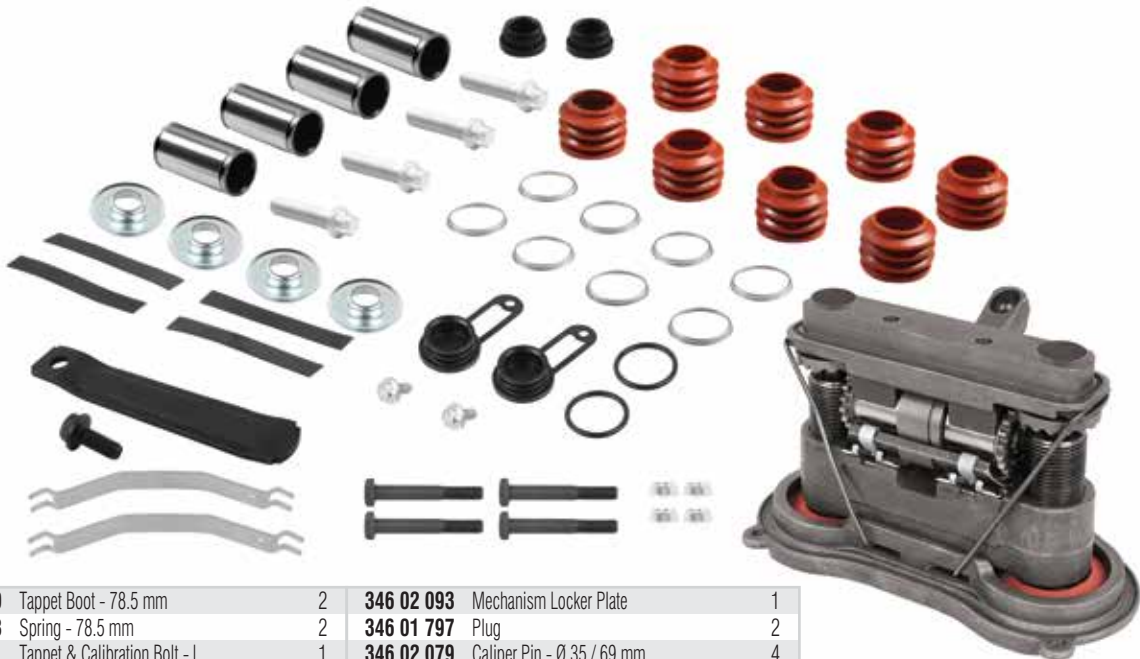
346 01 709	Tappet Boot - 78.5 mm	2
346 01 428	Spring - 78.5 mm	2
346 02 091	Tappet & Calibration Bolt - L	1
346 02 092	Tappet & Calibration Bolt - R	1
346 01 224	Caliper Mechanism Cap	1
346 01 233	Caliper Mechanism Clamp	1
346 01 227	Caliper Adjusting Mechanism	1
346 01 228	Caliper Calibration Gaer - L	1
346 01 229	Caliper Calibration Gaer - R	1
346 02 086	Caliper Shaft Housing	1
346 01 813	Caliper Spring	1
346 02 087	Caliper Ring	2
346 02 088	Caliper Washer	2
346 02 089	Caliper Needle Bearing	2
346 01 230	Caliper Lever	1
346 02 090	Caliper Needle Bearing	2
346 02 093	Mechanism Locker Plate	1
346 01 797	Plug	2

Truckexpert Nr	Description	OEM Nr	Application
----------------	-------------	--------	-------------

346 01 235

Caliper Complete Repair Set

MARK III



346 01 709	Tappet Boot - 78.5 mm	2	346 02 093	Mechanism Locker Plate	1
346 01 428	Spring - 78.5 mm	2	346 01 797	Plug	2
346 02 091	Tappet & Calibration Bolt - L	1	346 02 079	Caliper Pin - Ø 35 / 69 mm	4
346 02 092	Tappet & Calibration Bolt - R	1	346 02 080	Pin Bolt - M14 x 2 / 60 mm	4
346 01 224	Caliper Mechanism Cap	1	346 00 149	Pin Boot	8
346 01 233	Caliper Mechanism Clamp	1	346 01 795	Plastic Bush	4
346 01 227	Caliper Adjusting Mechanism	1	346 01 796	Ring	8
346 01 228	Caliper Calibration Gaer - L	1	346 02 085	Steel Cap	4
346 01 229	Caliper Calibration Gaer - R	1	346 01 797	Plug - (Mk III)	2
346 02 086	Caliper Shaft Housing	1	346 01 798	O-Ring - (Mk II)	2
346 01 813	Caliper Spring	1	346 01 803	Plug - (Mk II)	2
346 02 087	Caliper Ring	2	346 01 799	Bolt - (Mk II)	2
346 02 088	Caliper Washer	2	346 01 541	Grease - 5 g	2
346 02 089	Caliper Needle Bearing	2	346 02 074	Caliper Pad Retainer	1
346 01 230	Caliper Lever	1	346 02 075	Bolt - M10 x 1.5 / 25 mm	1
346 02 090	Caliper Needle Bearing Set	2	346 02 082	Caliper Pad Spring	2

346 01 235/1 Caliper Complete Repair Set Without Chrome Plated Pins

HALDEX
MARK

Truckexpert Nr	Description	OEM Nr	Application
346 01 198	Caliper Shaft Housing Set		MARK IV



346 01 199	Shaft Housing	1
346 01 813	Spring	1
346 01 814	Circlip	1
346 01 815	Wavy Washer	1
346 01 816	Washer	1

Truckexpert Nr	Description	OEM Nr	Application
346 01 196	Caliper Tappet Plate & Bolt Set		MARK IV



346 01 801	Clips	2
346 01 806	Caliper Tappet Plate	1
346 00 730	Caliper Calibration Bolt	2

Truckexpert Nr	Description	OEM Nr	Application
346 01 236	Caliper Mechanism Locker Plate Set		MARK IV



346 02 077	Caliper Mechanism Locker Plate	1
346 01 805	Adjusting Shaft	2
346 01 804	Seal	2

Truckexpert Nr	Description	OEM Nr	Application
----------------	-------------	--------	-------------

346 01 200

Caliper Cover Plate Set

MARK IV



346 01 487	Caliper Cap	1
346 01 817	Bolt - M8 x 45 mm	4

Truckexpert Nr	Description	OEM Nr	Application
----------------	-------------	--------	-------------

346 01 808

Caliper Adjusting Mechanism

MARK IV



346 01 809	Caliper Adjusting Mechanism	1
346 01 801	Clips	1

Truckexpert Nr	Description	OEM Nr	Application
----------------	-------------	--------	-------------

346 01 074

Caliper Intermediate Gear

MARK IV



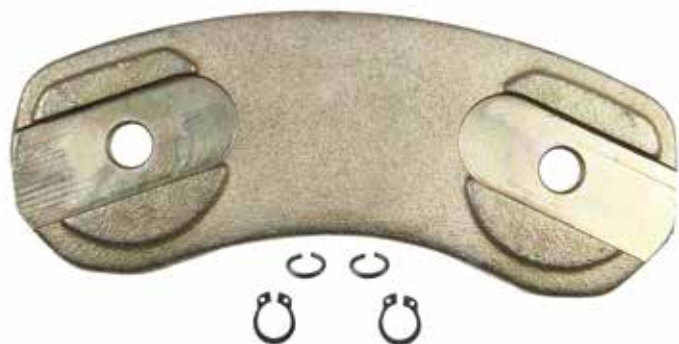
HALDEX
MARK

Truckexpert Nr	Description	OEM Nr	Application
----------------	-------------	--------	-------------


346 00 507


Caliper Tappet Plate

MARK IV



346 01 801	Clips	2
346 01 806	Tappet Plate	1

Truckexpert Nr	Description	OEM Nr	Application						
346 00 795	Caliper Adjusting Mechanism Gear		MARK IV						
									
		<table border="1"> <tr> <td>346 01 479</td> <td>Caliper Adjusting Mechanism Gear</td> <td>1</td> </tr> <tr> <td>346 01 801</td> <td>Clips</td> <td>1</td> </tr> </table>	346 01 479	Caliper Adjusting Mechanism Gear	1	346 01 801	Clips	1	
346 01 479	Caliper Adjusting Mechanism Gear	1							
346 01 801	Clips	1							

Truckexpert Nr	Description	OEM Nr	Application
346 01 811	Caliper Manuel Adjusting Gear		MARK IV
			

Truckexpert Nr	Description	OEM Nr	Application
346 00 730	Caliper Calibration Bolt		MARK IV
			

Truckexpert Nr	Description	OEM Nr	Application
346 01 232	Caliper Calibration Bolt		MARK IV (Without Flange)
			


Truckexpert Nr	Description	OEM Nr	Application
346 00 739	Caliper Lever		MARK IV
			

Truckexpert Nr	Description	OEM Nr	Application
346 01 421	Caliper Lever Pin		MARK IV
			


Truckexpert Nr	Description	OEM Nr	Application			
346 00 732	Caliper Needle Bearing Set		MARK IV			
						
		<table border="1"> <tr> <td>346 01 807</td> <td>Caliper Needle Bearing</td> <td style="text-align: right;">2</td> </tr> </table>	346 01 807	Caliper Needle Bearing	2	
346 01 807	Caliper Needle Bearing	2				

Truckexpert Nr	Description	OEM Nr	Application
346 00 733	Caliper Needle Bearing		MARK IV
			

HALDEX
MARK

Truckexpert Nr	Description	OEM Nr	Application
346 01 201	Caliper Mechanism Clamp Set		MARK IV
			
		346 01 818 Caliper Mechanism Clamp	2

Truckexpert Nr	Description	OEM Nr	Application
346 00 736	Wavy Washer Set		MARK IV
			
		346 01 815 Wavy Washer	5

Truckexpert Nr	Description	OEM Nr	Application
346 00 743	Caliper Mechanism Cap		MARK IV
			

Truckexpert Nr	Description	OEM Nr	Application
346 00 740	Caliper Lever & Pin Set		MARK IV
			
		346 00 739 Caliper Lever	1
		346 01 242 Caliper Lever Pin	1

Truckexpert Nr	Description	OEM Nr	Application
346 00 496	Caliper Pin Repair Kit		MARK IV
		346 00 819 Pin Bolt - M14 x 2 / 53 mm	4
		346 00 896 Pin Cap - Ø 57 / 40 mm	2
		346 00 149 Pin Boot	8
		346 01 795 Plastic Bush	4
		346 01 796 Ring	8
		346 01 797 Plug (Mk III)	2
		346 01 798 O-Ring - (Mk II)	2
		346 01 803 Plug - (Mk II)	2
		346 01 799 Bolt - (Mk II)	2

Truckexpert Nr	Description	OEM Nr	Application
346 00 495	Caliper Pin Repair Kit		MARK IV
		346 00 819 Pin Bolt - M14 x 2 / 53 mm	4
		346 00 865 Caliper Pin - Ø 35 / 70 mm	4
		346 00 896 Pin Cap - Ø 57 / 40 mm	2
		346 00 897 Steel Cap	4
		346 01 795 Plastic Bush	4
		346 01 796 Ring	8
		346 01 797 Plug - (Mk III)	2
		346 01 798 O-Ring - (Mk II)	2
		346 01 799 Bolt - (Mk II)	2
		346 01 803 Plug - (Mk II)	2
		346 00 149 Pin Boot	8

346 00 495/1 Caliper Pin Repair Kit Without Chrome Plated Pins


HALDEX
MARK

Truckexpert Nr	Description	OEM Nr	Application
346 00 501	Caliper Plug Set	87408	MARK II MARK III



346 01 803	Plug - (Mk II)	2
346 01 797	Plug - (Mk III)	2
346 01 798	O-Ring - (Mk II)	2
346 01 799	Bolt - (Mk II)	2


Truckexpert Nr	Description	OEM Nr	Application
346 00 497	Caliper Pin Repair Kit		MARK IV



346 00 819	Pin Bolt - M14 x 2 / 53 mm	4
346 00 149	Pin Boot	8
346 01 795	Plastic Bush	4
346 01 796	Ring	8
346 01 797	Plug - (Mk III)	2
346 01 798	O-Ring - (Mk II)	2
346 01 803	Plug - (Mk II)	2
346 01 799	Bolt - (Mk II)	2
346 00 865	Caliper Pin - Ø 35 / 70 mm	4

346 00 497/1 Caliper Pin Repair Kit Without Chrome Plated Pins

Truckexpert Nr	Description	OEM Nr	Application
346 02 339	Caliper Complete Mechanism Set		MARK IV
		346 00 931	Tappet Boot 67 mm 2
		346 01 800	Spring 67 mm 2
		346 01 801	Clips 2
		346 01 806	Tappet Plate 1
		346 01 801	Clips 2
		346 00 730	Caliper Calibration Bolt 2
		346 01 487	Cup 1
		346 01 817	Bolt 4
		346 01 818	Caliper Mechanism Clamp 2
		346 01 809	Spring - Big 1
		346 01 801	Clips 1
		346 01 479	Caliper Adjusting Mechanism Gear 1
		346 01 801	Clips 1
		346 01 811	Caliper Adsting Mechanism Eead 1
		346 01 199	Caliper Shaft Hausing 1
		346 01 813	Caliper Spring 1
		346 01 814	Caliper Ring 1
		346 01 815	Caliper Wavy Washer 1
		346 01 816	Caliper Washer 1
		346 01 074	Caliper Intermediate Gear 1
		346 01 807	Caliper Needle Bearing Set 2
		346 00 739	Caliper Lever 1
		346 01 812	Calipher Lever Pin 1
		346 00 733	Caliper Needle Bearing 1
		346 02 077	Mechanism Locker Plate 1
		346 01 805	Adjuster Shaft 2
		346 01 804	Seal 2

Truckexpert Nr	Description	OEM Nr	Application
346 01 237	Caliper Complete Repair Set		MARK IV
		346 00 931	Tappet Boot 67 mm 2
		346 01 800	Spring 67 mm 2
		346 01 801	Clips 2
		346 01 806	Tappet Plate 1
		346 01 801	Clips 2
		346 00 730	Caliper Calibration Bolt 2
		346 01 487	Cup 1
		346 01 817	Bolt 4
		346 01 818	Caliper Mechanism Clamp 2
		346 01 809	Spring - Big 1
		346 01 801	Clips 1
		346 01 479	Caliper Adjusting Mechanism Gear 1
		346 01 801	Clips 1
		346 01 811	Caliper Adsting Mechanism Eead 1
		346 01 199	Caliper Shaft Hausing 1
		346 01 813	Caliper Spring 1
		346 01 814	Caliper Ring 1
		346 01 815	Caliper Wavy Washer 1
		346 01 816	Caliper Washer 1
		346 01 074	Caliper Intermediate Gear 1
		346 01 807	Caliper Needle Bearing Set 2
		346 00 739	Caliper Lever 1
		346 01 812	Calipher Lever Pin 1
		346 00 733	Caliper Needle Bearing 1
		346 02 077	Mechanism Locker Plate 1
		346 01 805	Adjuster Shaft 2
		346 01 804	Seal 2
		346 00 865	Caliper Pin Ø 35 / 70 mm 4
		346 00 819	Pgn Bilt M14 X 2 / 53 mm 4
		346 00 149	Pin Boot 8
		346 01 795	Plastic Bush 4
		346 01 796	Ring 8
		346 00 897	Steel Cap 4
		346 00 896	Pin Cap Ø 57 / 40 mm (Mk IV) 2
		346 01 797	Plug (Mk III) 2
		346 02 074	Caliper Pad Retainer 1
		346 02 075	Bolt M10 X 1,5 / 25 mm 1
		346 02 082	Caliper Pad Spring 2
		346 01 541	Grease - 5 g 2

346 01 237/1 Caliper Complete Repair Set Without Chrome Plated Pins

HALDEX
MARK

Truckexpert Nr	Description	OEM Nr	Application
346 02 096	Caliper Boot Set		MARK IV



346 01 797	Plug (Mk III)	1
346 01 798	O-Ring - (Mk II)	6
346 00 931	Tappet Boot 67 mm	2

Truckexpert Nr	Description	OEM Nr	Application
346 00 508	Caliper Tappet Plate		MARK IV

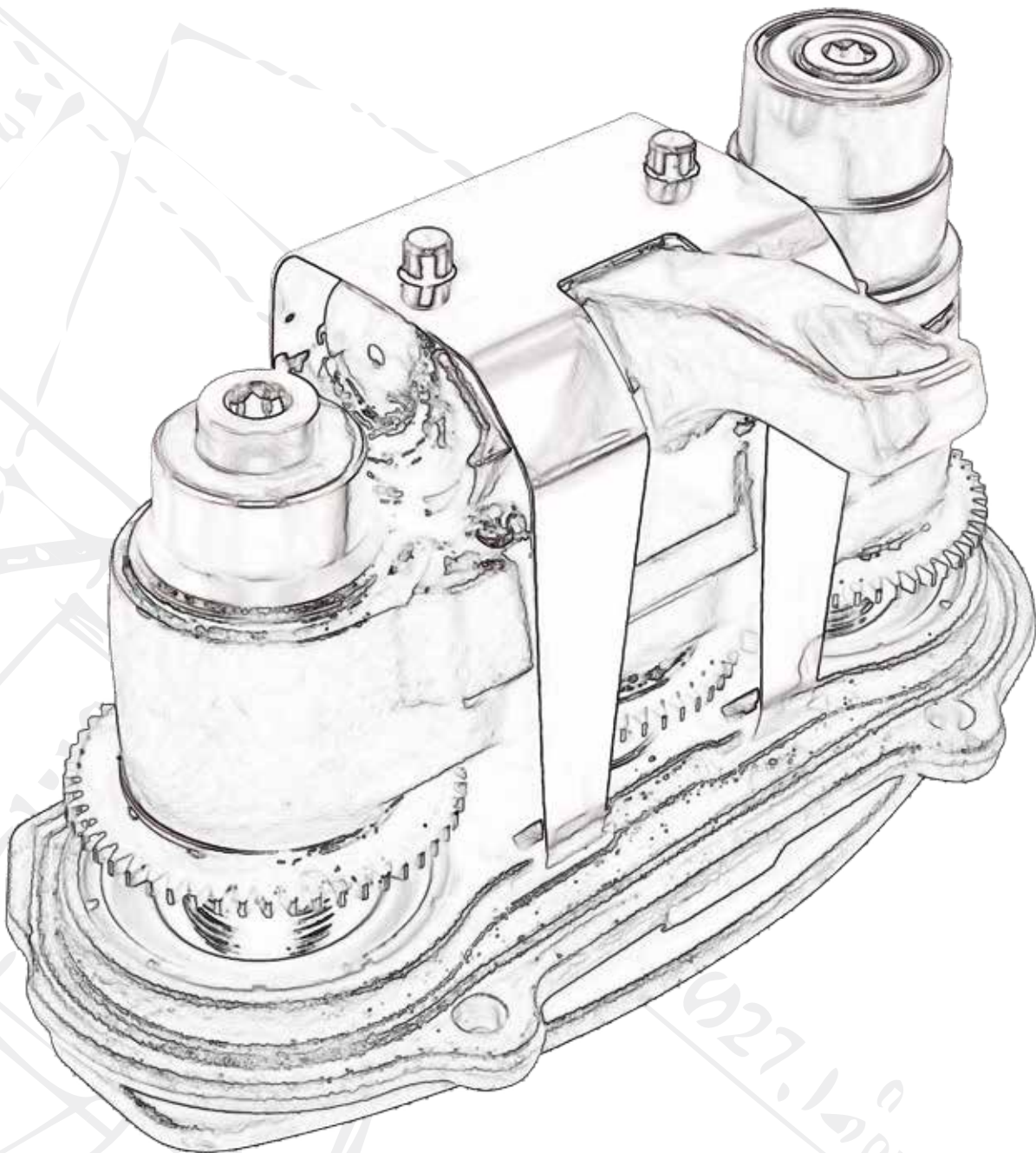


346 01 806	Caliper Tappet Plate	1
346 01 802	Clips	2


Truckexpert Nr	Description	OEM Nr	Application
346 02 409	Caliper Carrier - 22.5"		MODUL T SAF Trailer Axle

Truckexpert Nr	Description	OEM Nr	Application
346 02 410	Caliper Carrier - 22.5"		MODUL X GEN 2 Trailer Axle

MODUL X




Truckexpert Nr	Description	OEM Nr	Application
346 00 503	Caliper Cap Set	91019	GEN 1 GEN 2



346 00 898	Pin Cap - Ø 42 / 23 mm	2
-------------------	------------------------	---

Truckexpert Nr	Description	OEM Nr	Application
346 00 498	Caliper Pin Repair Kit	93299	GEN 2



346 02 081	Caliper Pin - Ø 35 / 64 mm	4
346 00 820	Pin Bolt - M14 x 2 / 42 mm	4
346 00 898	Pin Cap - Ø 42 / 28 mm	2
346 00 897	Steel Cap	2
346 00 149	Pin Boot	6
346 01 795	Plastic Bush	4
346 01 797	Plug	1
346 01 541	Grease - 5 g	2

346 00 498/1 Caliper Pin Repair Set Without Chrome Plated Pins

Truckexpert Nr	Description	OEM Nr	Application
346 00 729	Caliper Pin Repair Kit	91012	GEN 1




346 00 820	Pin Bolt - M14 x 2 / 43 mm	4
346 00 149	Pin Boot	6
346 01 795	Plastic Bush	4
346 00 866	Caliper Pin - Ø 35 / 64 mm	4
346 00 897	Steel Cap	4
346 00 898	Pin Cap - Ø 42 / 23 mm	2
346 01 797	Plug	1
346 01 541	Grease - 5 g	2

346 00 729/1 Caliper Pin Repair Kit Without Chrome Plated Pins


HALDEX
MODUL X

Truckexpert Nr	Description	OEM Nr	Application
346 00 500	Caliper Pin Boot & Cap Set	91014	GEN 1 GEN 2




346 00 897	Steel Cap	4
346 00 149	Pin Boot	2
346 01 795	Plastic Bush	1
346 00 898	Pin Cap - Ø 42 / 23 mm	2
346 01 797	Plug	1

Truckexpert Nr	Description	OEM Nr	Application
346 00 499	Caliper Pin Boot & Cap Set	91013	GEN 1 GEN 2



346 00 897	Steel Cap	4
346 00 898	Pin Cap - Ø 42 / 28 mm	2
346 01 795	Plastic Bush	4
346 01 797	Plug	1
346 00 149	Pin Boot	6

Truckexpert Nr	Description	OEM Nr	Application
346 01 239	Caliper Pin Bolt Repair Set	94660	GEN 1 GEN 2




346 00 820	Pin Bolt - M14 x 2 / 42 mm	4
346 00 819	Pin Bolt - M14 x 2 / 53 mm	4
346 00 898	Pin Cap - Ø 42 / 28 mm	2
346 00 897	Steel Cap	2
346 00 149	Pin Boot	6
346 01 795	Plastic Bush	4
346 01 797	Plug	1
346 01 541	Grease - 5 g	2

Truckexpert Nr	Description	OEM Nr	Application
346 00 494	Caliper Boot Set	91011	GEN 1 GEN 2



346 00 931	Tappet Boot - 67 mm	2
346 01 797	Plug	1
346 01 800	Spring - 67 mm	2
346 01 801	Clips	2

Truckexpert Nr	Description	OEM Nr	Application
346 00 492	Caliper Boot Set	89794	GEN 1 GEN 2



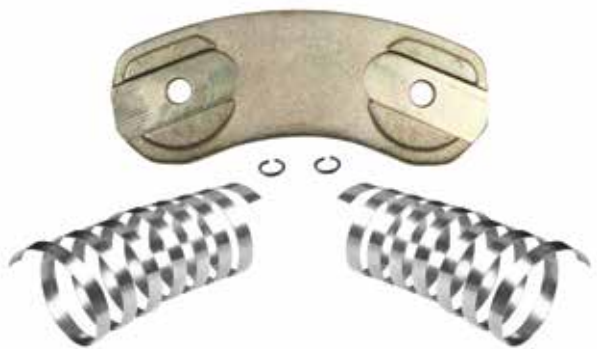
346 00 931	Tappet Boot - 67 mm	2
346 01 800	Spring - 67 mm	2
346 01 801	Clips	2

Truckexpert Nr	Description	OEM Nr	Application
346 01 222	Caliper Spring Set	94665	GEN 1



346 01 800	Spring - 67 mm	2
346 01 801	Clips	2

Truckexpert Nr	Description	OEM Nr	Application
346 01 223	Caliper Spring & Plate Set	92731	GEN 1



346 01 800	Spring - 67 mm	2
346 01 806	Caliper Tappet Plate	1
346 01 801	Clips	2

HALDEX
MODUL X

Truckexpert Nr	Description	OEM Nr	Application									
346 01 240	Caliper Adjuster Shaft Set	94892	GEN 1 GEN 2									
												
		<table border="1"> <tbody> <tr> <td>346 01 805</td> <td>Adjuster Shaft</td> <td>1</td> </tr> <tr> <td>346 01 804</td> <td>Seal</td> <td>1</td> </tr> <tr> <td>346 01 797</td> <td>Plug</td> <td>1</td> </tr> </tbody> </table>	346 01 805	Adjuster Shaft	1	346 01 804	Seal	1	346 01 797	Plug	1	
346 01 805	Adjuster Shaft	1										
346 01 804	Seal	1										
346 01 797	Plug	1										

Truckexpert Nr	Description	OEM Nr	Application									
346 00 504	Caliper Adjuster Shaft Set	90693	GEN 1 GEN 2									
												
		<table border="1"> <tbody> <tr> <td>346 01 797</td> <td>Plug</td> <td>2</td> </tr> <tr> <td>346 01 804</td> <td>Seal</td> <td>2</td> </tr> <tr> <td>346 01 805</td> <td>Adjuster Shaft</td> <td>2</td> </tr> </tbody> </table>	346 01 797	Plug	2	346 01 804	Seal	2	346 01 805	Adjuster Shaft	2	
346 01 797	Plug	2										
346 01 804	Seal	2										
346 01 805	Adjuster Shaft	2										

Truckexpert Nr	Description	OEM Nr	Application															
346 01 221	Caliper Tappet Plate & Bolt Set	94664	GEN 1															
																		
		<table border="1"> <tbody> <tr> <td>346 00 931</td> <td>Tappet Boot - 67 mm</td> <td>2</td> </tr> <tr> <td>346 01 806</td> <td>Caliper Tappet Plate</td> <td>1</td> </tr> <tr> <td>346 00 730</td> <td>Caliper Calibration Bolt</td> <td>2</td> </tr> <tr> <td>346 01 797</td> <td>Plug</td> <td>1</td> </tr> <tr> <td>346 01 801</td> <td>Clips</td> <td>2</td> </tr> </tbody> </table>	346 00 931	Tappet Boot - 67 mm	2	346 01 806	Caliper Tappet Plate	1	346 00 730	Caliper Calibration Bolt	2	346 01 797	Plug	1	346 01 801	Clips	2	
346 00 931	Tappet Boot - 67 mm	2																
346 01 806	Caliper Tappet Plate	1																
346 00 730	Caliper Calibration Bolt	2																
346 01 797	Plug	1																
346 01 801	Clips	2																

Truckexpert Nr	Description	OEM Nr	Application
346 00 506	Caliper Pad Retainer	90673	GEN 1 GEN 2

346 02 074	Caliper Pad Retainer	1
346 02 075	Bolt - M10 x 1,5 / 25 mm	1



Truckexpert Nr	Description	OEM Nr	Application
346 01 216	Caliper Pad Spring Kit	89924	GEN 1 GEN 2



346 02 082	Caliper Pad Spring	2
-------------------	--------------------	---

Truckexpert Nr	Description	OEM Nr	Application
346 01 218	Caliper Pad Retainer Kit	91216	GEN 1 GEN 2




346 02 074	Caliper Pad Retainer	1
346 02 075	Bolt - M10 x 1,5 / 25 mm	1
346 02 082	Caliper Pad Spring	2

Truckexpert Nr	Description	OEM Nr	Application
346 01 220	Caliper Pad Retainer Kit	94659	GEN 1 GEN 2



346 02 074	Caliper Pad Retainer	2
346 02 075	Bolt - M10 x 1,5 / 25 mm	2
346 02 082	Caliper Pad Spring	4
346 01 797	Plug - (Mk III)	2

HALDEX
MODUL X

Truckexpert Nr	Description	OEM Nr	Application
346 01 808	Caliper Adjusting Mechanism		GEN 1
			

Truckexpert Nr	Description	OEM Nr	Application
346 01 074	Caliper Intermediate Gear		GEN 1
			

Truckexpert Nr	Description	OEM Nr	Application
346 01 241	Caliper Adjusting Mechanism Gear		GEN 1
			

Truckexpert Nr	Description	OEM Nr	Application
346 01 811	Caliper Adjusting Mechanism Gear		GEN 1
			

Truckexpert Nr	Description	OEM Nr	Application
346 00 734	Caliper Roller Bearing		GEN 1 GEN 2



Truckexpert Nr	Description	OEM Nr	Application
346 00 731	Tappet & Calibration Bolt		GEN 2



Truckexpert Nr	Description	OEM Nr	Application
346 00 744	Caliper Mechanism Cap		GEN 1 GEN 2



HALDEX
MODUL X

Truckexpert Nr	Description	OEM Nr	Application
346 01 865	Caliper Needle Bearing Set		GEN 2
			
		346 02 207	Caliper Roller Bearing 1
		346 02 209	Caliper Roller Bearing 1

Truckexpert Nr	Description	OEM Nr	Application
346 00 736	Wavy Washer Set		GEN 1 GEN 2
			
346 01 815 Wavy Washer		5	

Truckexpert Nr	Description	OEM Nr	Application
346 00 738	Caliper Lever		GEN 1 GEN 2
			
		346 00 737	Caliper Lever 1
		346 01 822	Lever Pin 1
		346 01 820	Lever Bearing 2


Truckexpert Nr	Description	OEM Nr	Application
346 00 742	Caliper Shaft Housing Set		GEN 1 GEN 2



The image shows a black plastic caliper shaft housing set, consisting of a main housing with two curved ends and a central shaft, and a separate black coil spring.

346 01 205	Shaft Housing	1
346 01 813	Spring	1

Truckexpert Nr	Description	OEM Nr	Application
346 00 740	Caliper Lever With Pin		GEN 1 GEN 2



The image shows a caliper lever assembly, which includes a dark grey metal lever with a curved end and a cylindrical metal pin with two mounting points.

346 00 739	Caliper Lever	1
346 01 242	Caliper Lever Pin	1

Truckexpert Nr	Description	OEM Nr	Application
346 00 508	Caliper Tappet Plate		GEN 1 GEN 2




The image shows a brass-colored caliper tappet plate with two circular holes and two small metal clips attached to it.

346 01 806	Caliper Tappet Plate	1
346 01 802	Clips	2


HALDEX
MODUL X

Truckexpert Nr	Description	OEM Nr	Application
346 00 730	Caliper Calibration Bolt		GEN 1
			

Truckexpert Nr	Description	OEM Nr	Application
346 00 739	Caliper Lever		GEN 1
			

Truckexpert Nr	Description	OEM Nr	Application
346 01 242	Caliper Lever Pin		GEN 1
			

Truckexpert Nr	Description	OEM Nr	Application
346 00 733	Caliper Needle Bearing		GEN 1
			


Truckexpert Nr	Description	OEM Nr	Application
346 00 732	Caliper Needle Bearing Set		GEN 1
			
		346 01 807 Caliper Roller Bearing	2

Truckexpert Nr	Description	OEM Nr	Application
346 00 507	Caliper Tappet Plate		GEN 1
			
			
346 01 801	Clips		2
346 01 806	Caliper Tappet Plate		1

Truckexpert Nr	Description	OEM Nr	Application
346 01 196	Caliper Tappet Plate & Bolt Set		GEN 1
			
		346 01 801 Clips	2
		346 01 806 Caliper Tappet Plate	1
		346 00 730 Caliper Calibration Bolt	2


HALDEX
MODUL X

Truckexpert Nr	Description	OEM Nr	Application
346 01 410	Caliper Complete Mechanism Set		GEN 1
			
		346 00 931	Tappet Boot - 67 mm 2
		346 01 800	Spring - 67 mm 2
		346 01 801	Clips 2
		346 01 806	Caliper Tappet Plate 1
		346 00 730	Caliper Calibration Bolt 2
		346 01 823	Bolt 4
		346 00 744	Caliper Cover 1
		346 01 243	Caliper Mechanism Clamp 1
		346 01 809	Spring - Big 1
		346 01 801	Spring - Small 1
		346 01 450	Caliper Repair Kit 1
		346 01 801	Clips 1
		346 01 811	Caliper Adjusting Mechanism Gear 1
		346 01 199	Shaft Housing 1
		346 01 813	Spring 1
		346 01 814	Circlip 1
		346 01 815	Wavy Washer 1
		346 01 816	Washer 1
		346 01 074	Caliper Intermediate Gear 1
		346 01 807	Caliper Roller Bearing 2
		346 00 739	Caliper Lever 1
		346 01 242	Caliper Lever Pin 1
		346 00 733	Caliper Needle Bearing 1
		346 01 805	Adjuster Shaft 1
		346 01 804	Seal 1
		346 01 797	Plug 1

Truckexpert Nr	Description	OEM Nr	Application
346 01 244	Caliper Complete Repair Set		GEN 1
			
346 00 820	Pin Bolt - M14 x 2 / 43 mm	4	
346 00 149	Pin Boot	6	
346 01 795	Plastic Bush	4	
346 00 866	Caliper Pin - Ø 35 / 64 mm	4	
346 00 897	Steel Cap	4	
346 00 898	Pin Cap - Ø 42 / 23 mm	2	
346 01 797	Plug	1	
346 00 931	Tappet Boot - 67 mm	2	
346 01 800	Spring - 67 mm	2	
346 01 801	Clips	2	
346 01 806	Caliper Tappet Plate	1	
346 00 730	Caliper Calibration Bolt	2	
346 01 823	Bolt	4	
346 00 744	Caliper Cover	1	
346 01 243	Caliper Mechanism Clamp	1	
346 01 809	Spring - Big	1	
346 01 801	Spring - Small	1	
346 01 450	Mechanism	1	
346 01 801	Clips	1	
346 01 811	Caliper Adjusting Mechanism Gear	1	
346 01 199	Shaft Housing	1	
346 01 813	Spring	1	
346 01 814	Circlip	1	
346 01 815	Wavy Washer	1	
346 01 816	Washer	1	
346 01 074	Caliper Intermediate Gear	1	
346 01 807	Caliper Roller Bearing	2	
346 00 739	Caliper Lever	1	
346 01 242	Caliper Lever Pin	1	
346 00 733	Caliper Needle Bearing	1	
346 01 805	Adjuster Shaft	1	
346 01 804	Seal	1	
346 01 797	Plug	1	
346 02 074	Caliper Pad Retainer	1	
346 02 075	Bolt - M10 x 1.5 / 25 mm	1	
346 02 082	Caliper Pad Spring	2	
346 01 541	Grease - 5 g	2	


346 01 244/1 Caliper Complete Repair Set Without Chrome Plated Pins

HALDEX
MODUL X

Truckexpert Nr	Description	OEM Nr	Application
346 00 796	Caliper Adjusting Mechanism		GEN 2
			

Truckexpert Nr	Description	OEM Nr	Application
346 01 074	Caliper Intermediate Gear		GEN 2
			

Truckexpert Nr	Description	OEM Nr	Application
346 01 207	Caliper Adjusting Mechanism Gear		GEN 2
			

Truckexpert Nr	Description	OEM Nr	Application
346 01 208	Caliper Manuel Adjusting Gear		GEN 2
			

HALDEX

MODUL X

Truckexpert Nr	Description	OEM Nr	Application
346 01 206	Caliper Mechanism Cap		GEN 2



346 01 823	Bolt	4
346 00 744	Caliper Cover	1

Truckexpert Nr	Description	OEM Nr	Application
346 01 204	Caliper Shaft Housing Set		GEN 2



346 01 205	Shaft Housing	1
346 01 813	Spring	1
346 01 814	Ring	1
346 01 815	Wavy Washer	1
346 01 816	Washer	1

Truckexpert Nr	Description	OEM Nr	Application
346 01 202	Caliper Tappet & Calibration Bolt Set		GEN 2



346 00 731	Tappet & Calibration Bolt	2
-------------------	---------------------------	---

Truckexpert Nr	Description	OEM Nr	Application
346 01 075	Caliper Mechanism Clamp		GEN 2
			


Truckexpert Nr	Description	OEM Nr	Application
346 01 076	Caliper Mechanism Plate		GEN 2
			

Truckexpert Nr	Description	OEM Nr	Application						
346 01 010	Caliper Roller Bearing Set		GEN 2						
									
		<table border="1"> <tbody> <tr> <td>346 00 734</td> <td>Caliper Roller Bearing</td> <td>1</td> </tr> <tr> <td>346 01 820</td> <td>Lever Bearing</td> <td>2</td> </tr> </tbody> </table>	346 00 734	Caliper Roller Bearing	1	346 01 820	Lever Bearing	2	
346 00 734	Caliper Roller Bearing	1							
346 01 820	Lever Bearing	2							


HALDEX
MODUL X

Truckexpert Nr	Description	OEM Nr	Application
346 00 737	Caliper Lever		GEN 2
			

Truckexpert Nr	Description	OEM Nr	Application
346 01 822	Caliper Lever Pin		GEN 2
			

Truckexpert Nr	Description	OEM Nr	Application									
346 00 735	Caliper Roller Bearing Set		GEN 2									
												
<table border="1" style="width: 100%; border-collapse: collapse;"> <tbody> <tr> <td style="width: 15%;">346 01 862</td> <td style="width: 70%;">Lever Bearing</td> <td style="width: 15%; text-align: right;">2</td> </tr> <tr> <td>346 01 869</td> <td>Caliper Roller Bearing</td> <td style="text-align: right;">1</td> </tr> <tr> <td>346 01 864</td> <td>Caliper Roller Bearing</td> <td style="text-align: right;">1</td> </tr> </tbody> </table>				346 01 862	Lever Bearing	2	346 01 869	Caliper Roller Bearing	1	346 01 864	Caliper Roller Bearing	1
346 01 862	Lever Bearing	2										
346 01 869	Caliper Roller Bearing	1										
346 01 864	Caliper Roller Bearing	1										

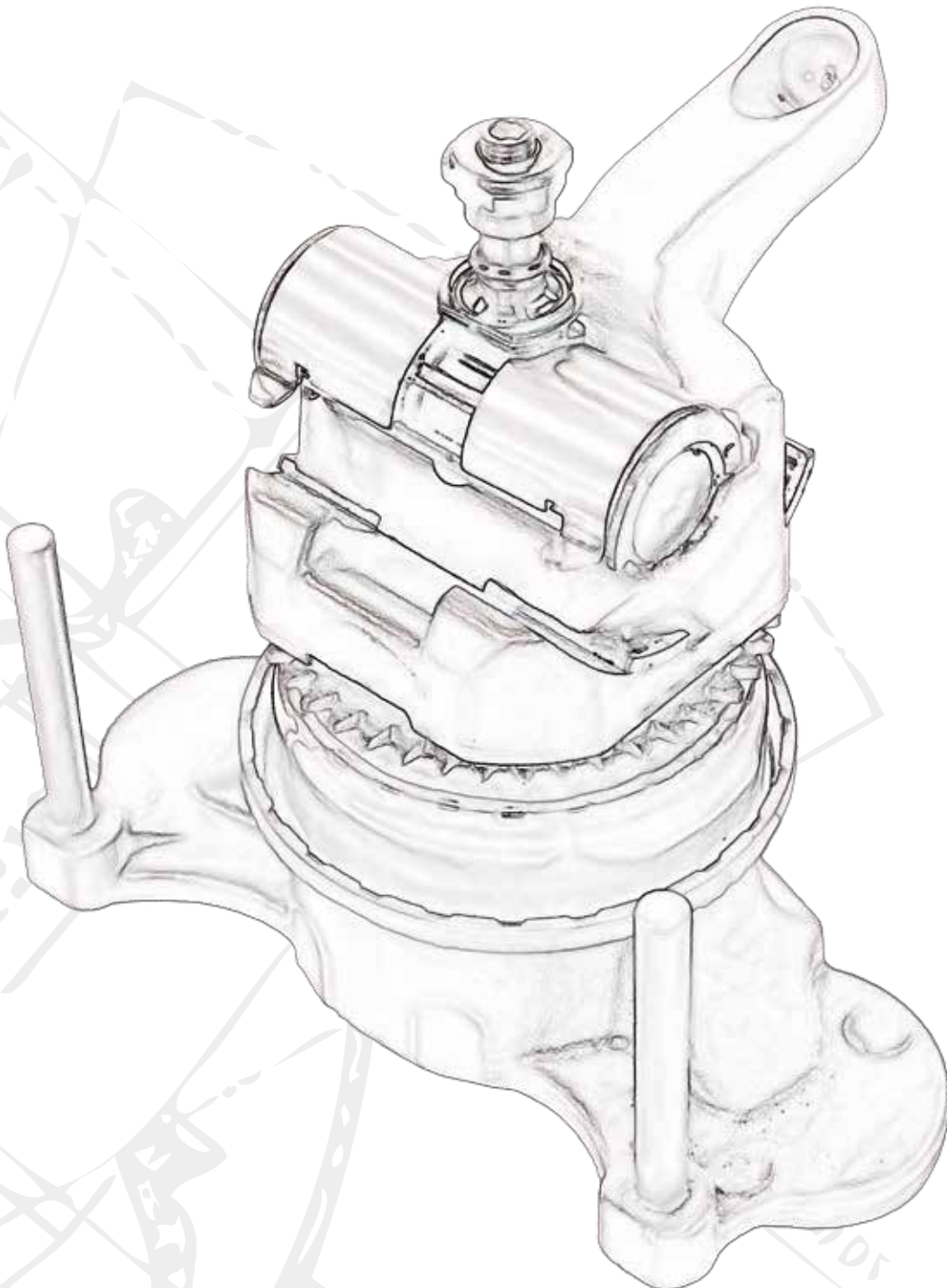
Truckexpert Nr	Description	OEM Nr	Application
346 01 411	Caliper Complete Mechanism Set		GEN 2
			
		346 00 931	Tappet Boot - 67 mm 2
		346 01 800	Spring - 67 mm 2
		346 00 731	Tappet & Calibration Bolt 2
		346 00 796	Caliper Adjusting Mechanism 1
		346 01 207	Caliper Adjusting Mechanism Gear 1
		346 01 074	Caliper Intermediate Gear 1
		346 01 208	Caliper Manuel Adjusting Gear 1
		346 00 734	Caliper Roller Bearing 1
		346 01 820	Lever Bearing 2
		346 01 862	Lever Bearing 2
		346 01 869	Caliper Roller Bearing 1
		346 01 864	Caliper Roller Bearing 1
		346 01 205	Shaft Housing 1
		346 01 813	Spring 1
		346 01 814	Ring 1
		346 01 815	Wavy Washer 1
		346 01 816	Washer 1
		346 01 076	Caliper Mechanism Plate 1
		346 01 075	Caliper Mechanism Clamp 1
		346 00 737	Caliper Lever 1
		346 01 822	Caliper Lever Pin 1
		346 01 823	Bolt 4
		346 00 744	Caliper Cover 1
		346 01 805	Adjuster Shaft 1
		346 01 804	Seal 1
		346 01 797	Plug 1

Truckexpert Nr	Description	OEM Nr	Application
346 01 245	Caliper Complete Repair Set		GEN 2
			
346 02 081	Caliper Pin - Ø 35 / 64 mm	4	
346 00 820	Pin Bolt - M14 x 2 / 42 mm	4	
346 00 898	Pin Cap - Ø 42 / 28 mm	2	
346 00 897	Steel Cap	2	
346 00 149	Pin Boot	6	
346 01 795	Plastic Bush	4	
346 01 797	Plug	1	
346 00 931	Tappet Boot - 67 mm	2	
346 01 800	Spring - 67 mm	2	
346 00 731	Tappet & Calibration Bolt	2	
346 00 796	Caliper Adjusting Mechanism	1	
346 01 207	Caliper Adjusting Mechanism Gear	1	
346 01 074	Caliper Intermediate Gear	1	
346 01 208	Caliper Manuel Adjusting Gear	1	
346 00 734	Caliper Roller Bearing	1	
346 01 820	Lever Bearing	2	
346 01 862	Lever Bearing	2	
346 01 869	Caliper Roller Bearing	1	
346 01 864	Caliper Roller Bearing	1	
346 01 205	Shaft Housing	1	
346 01 813	Spring	1	
346 01 814	Ring	1	
346 01 815	Wavy Washer	1	
346 01 816	Washer	1	
346 01 076	Caliper Mechanism Plate	1	
346 01 075	Caliper Mechanism Clamp	1	
346 00 737	Caliper Lever	1	
346 01 822	Caliper Lever Pin	1	
346 01 823	Bolt	4	
346 00 744	Caliper Cover	1	
346 01 805	Adjuster Shaft	1	
346 01 804	Seal	1	
346 01 797	Plug	1	
346 02 074	Caliper Pad Retainer	1	
346 02 075	Bolt - M10 x 1.5 / 25 mm	1	
346 02 082	Caliper Pad Spring	2	
346 01 541	Grease - 5 g	2	

346 01 245/1 Caliper Complete Repair Set Without Chrome Plated Pins

HALDEX
MODUL X

MODUL T




Truckexpert Nr	Description	OEM Nr	Application
346 01 404	Caliper Pad Retainer Kit		



346 02 072	Pad Retainer	1
346 02 073	Pad Retainer Spring	1
346 01 238	Protection Plug	1

Truckexpert Nr	Description	OEM Nr	Application
346 01 403	Caliper Reset Shaft Kit		



346 01 478	Reset Shaft	1
346 01 467	Reset Shaft Gear	1
346 01 424	Reset Shaft Plug	1


Truckexpert Nr	Description	OEM Nr	Application
346 01 402	Caliper Pin Repair Kit	95397	





346 01 824	Caliper Pin - Ø 35 / 120 mm	1
346 01 825	Caliper Pin - Ø 35.5 / 87 mm	1
346 00 138	Pin Bolt - M16 x 1.5 / 80 mm	2
346 00 364	Round Bush - Ø 35 x 39 / 30 mm	2
346 02 078	Bush - Ø39.5 x 36 / 14.5 mm	1
346 01 827	Plastic Bush - Ø 35.7 x 35.4 x 87 mm	1
346 01 826	Pin Boot	2
346 02 076	Ring	2
346 01 829	Pin Cap - Ø 42 / 26 mm	1
346 01 830	Pin Cap - Ø 45 / 22 mm	1
346 01 424	Reset Shaft Plug	1
346 01 541	Grease - 5 g	1

346 01 402/1 Caliper Pin Repair Kit Without Chrome Plated Pins

HALDEX
MODUL T


Truckexpert Nr	Description	OEM Nr	Application
346 01 246	Caliper Lever		
			

Truckexpert Nr	Description	OEM Nr	Application
346 01 247	Caliper Lever Housing		
			

Truckexpert Nr	Description	OEM Nr	Application
346 01 863	Needle Bearing		
			


Truckexpert Nr	Description	OEM Nr	Application
346 01 400	Caliper Adjusting Mechanism		
			

Truckexpert Nr	Description	OEM Nr	Application
346 02 058	Caliper Shaft Housing		
			

Truckexpert Nr	Description	OEM Nr	Application
346 01 401	Caliper Adjusting Shaft		
			

HALDEX
MODUL T

Truckexpert Nr	Description	OEM Nr	Application
346 01 930	Caliper Bearing Set		
			
		346 01 863	Needle Bearing 1
		346 01 812	Lever Roller Bearing 2


Truckexpert Nr	Description	OEM Nr	Application
346 01 931	Caliper Mechanism Bearing Set		
			
		346 01 442	Caliper Thrust Bearing 2
		346 01 426	Caliper Thrust Bearing 1
		346 02 070	Caliper Vertical Bearing 1

Truckexpert Nr	Description	OEM Nr	Application
346 02 059	Caliper Mechanism Bearing House Set		
			
		346 02 071	Mechanism Bearing House 5



MODUL T

Truckexpert Nr	Description	OEM Nr	Application
346 02 060	Caliper Mechanism Locker Set		
			
		346 01 422 Mechanism Locker	5

Truckexpert Nr	Description	OEM Nr	Application
346 01 399	Caliper Mechanism Seal Set	95399	
			
346 01 477	Adjustment Screw Bellow	1	
346 01 424	Reset Shaft Plug	1	

Truckexpert Nr	Description	OEM Nr	Application
346 02 061	Caliper Adjustment Screw Bellow Set		
			
		346 01 477 Adjustment Screw Bellow	5

HALDEX
 MODUL T

Truckexpert Nr	Description	OEM Nr	Application
346 02 062	Caliper Reset Shaft Kit	95398	
			
		346 01 478	Reset Shaft 1
		346 01 424	Reset Shaft Plug 1

Truckexpert Nr	Description	OEM Nr	Application
346 02 063	Caliper Reset Shaft Set		
			
		346 01 478	Reset Shaft 5

Truckexpert Nr	Description	OEM Nr	Application
346 02 064	Caliper Reset Shaft Plug Set		
			
		346 01 424	Reset Shaft Plug 5

Truckexpert Nr	Description	OEM Nr	Application
346 02 065	Caliper Protection Plug Set		
			
		346 01 238 Protection Plug	5

Truckexpert Nr	Description	OEM Nr	Application
346 02 066	Caliper Reset Shaft Gear Set		
			
		346 01 467 Reset Shaft Gear	5

Truckexpert Nr	Description	OEM Nr	Application
346 02 067	Caliper Mechanism Protection Cap Set		
			
		346 01 423 Mechanism Protection Cap	5

HALDEX
MODUL T

Truckexpert Nr	Description	OEM Nr	Application
----------------	-------------	--------	-------------

346 01 398

Caliper Complete Mechanism Set



346 01 246	Caliper Lever	1
346 01 863	Needle Bearing Set	1
346 01 812	Lever Roller Bearing	2
346 02 207	Caliper Needle Bearing Left	1
346 02 209	Caliper Needle Bearing Right	1
346 01 247	Caliper Lever Housing	1
346 01 401	Caliper Adjusting Shaft	1
346 02 058	Caliper Shaft Housing	1
346 01 400	Caliper Adjusting Mechanism	1
346 01 422	Mechanism Locker	1
346 01 477	Adjustment Screw Bellow	1
346 01 541	Grease - 5 g	2

Truckexpert Nr	Description	OEM Nr	Application
----------------	-------------	--------	-------------

346 01 414

Caliper Complete Repair Kit



346 01 824	Caliper Pin - Ø 35 / 120 mm	1	346 02 207	Caliper Needle Bearing Left	1
346 01 825	Caliper Pin - Ø 35.5 / 87 mm	1	346 02 209	Caliper Needle Bearing Right	1
346 00 138	Pin Bolt - M16 x 1.5 / 80 mm	2	346 01 247	Caliper Lever Housing	1
346 00 364	Round Bush - Ø 35 x 39 / 30 mm	2	346 01 401	Caliper Adjusting Shaft	1
346 02 078	Bush - Ø39.5 x 36 / 14.5 mm	1	346 02 058	Caliper Shaft Housing	1
346 01 827	Plastic Bush - Ø 35.7 x 35.4 x 87 mm	1	346 01 400	Caliper Adjusting Mechanism	1
346 01 826	Pin Boot	2	346 01 422	Mechanism Locker	1
346 02 076	Ring	2	346 01 477	Adjustment Screw Bellow	1
346 01 829	Pin Cap - Ø 42 / 26 mm	1	346 01 478	Reset Shaft	1
346 01 830	Pin Cap - Ø 45 / 22 mm	1	346 01 467	Reset Shaft Gear	1
346 01 424	Reset Shaft Plug	1	346 02 072	Pad Retainer	1
346 01 246	Caliper Lever	1	346 02 073	Pad Retainer Spring	1
346 01 863	Needle Bearing Set	1	346 01 238	Protection Plug	1
346 01 812	Lever Roller Bearing	2	346 01 541	Grease - 5 g	2

346 01 414/1 Caliper Complete Repair Kit Without Chrome Plated Pins



TSB 3709
TSB 4309
TSB 4312

BPW

www.Lkwexpert.com

Truckexpert Nr	Description	OEM Nr	Application
346 02 301	Caliper Pad Retainer Kit	09.801.07.68.1	



Truckexpert Nr	Description	OEM Nr	Application
346 02 100	Caliper Pin & Retainer Repair Kit	09.801.05.81.0	



346 01 501	Caliper Pin - Ø 37 / 123 mm	1
346 01 503	Caliper Pin - Ø 36 / 70 mm	1
346 01 504	Pin Bolt - M16 x 1.5 / 100 mm	1
346 00 809	Pin Bolt - M16 x 1.5 / 70 mm	1
346 02 301	Caliper Pad Retainer Kit	1
346 01 511	Ring (Plastic)	2
346 01 502	Pin Clips	1
346 01 541	Grease - 5 g	1

346 02 100/1 Caliper Pin Repair Kit Without Chrome Plated Pins

Truckexpert Nr	Description	OEM Nr	Application
346 01 111	Caliper Pin Repair Kit		

346 01 501	Caliper Pin - Ø 37 / 123 mm	1
346 01 503	Caliper Pin - Ø 36 / 70 mm	1
346 01 504	Pin Bolt - M16 x 1.5 / 100 mm	1
346 00 809	Pin Bolt - M16 x 1.5 / 70 mm	1
346 01 506	Bush - Ø 41 x 37 / 73 mm	1
346 01 507	Bush - Ø 41 x 37 / 30 mm	1
346 01 508	O-Ring - Ø 36 / 3.5 mm	1
346 01 509	Pin Cap (Plastic)	2
346 01 511	Ring (Plastic)	2
346 01 510	Pin Boot	2
346 01 512	Plug	1
346 01 502	Pin Clips	1
346 01 541	Grease - 5 g	1



346 01 111/1 Caliper Pin Repair Kit Without Chrome Plated Pins

Truckexpert Nr	Description	OEM Nr	Application
346 01 107	Caliper Pin Repair Kit	09.801.07.61.0	



346 01 501	Caliper Pin - Ø 37 / 123 mm	1
346 01 503	Caliper Pin - Ø 36 / 70 mm	1
346 01 504	Pin Bolt - M16 x 1.5 / 100 mm	1
346 00 809	Pin Bolt - M16 x 1.5 / 70 mm	1
346 01 506	Bush - Ø 41 x 37 / 73 mm	1
346 01 507	Bush - Ø 41 x 37 / 30 mm	1
346 01 508	O-Ring - Ø 36 / 3,5 mm	1
346 01 509	Pin Cap (Plastic)	2
346 01 502	Pin Clips	1
346 01 541	Grease - 5 g	1

346 01 107/1 Caliper Pin Repair Kit Without Chrome Plated Pins

Truckexpert Nr	Description	OEM Nr	Application
346 01 108	Caliper Seal Repair Kit	09.801.07.62.0	



346 01 506	Bush - Ø 41 x 37 / 73 mm	1
346 01 507	Bush - Ø 41 x 37 / 30 mm	1
346 01 508	O-Ring - Ø 36 / 3,5 mm	1
346 01 509	Pin Cap (Plastic)	2
346 01 510	Pin Boot	2
346 01 511	Washer (Plastic)	2
346 01 512	Plug	1

Truckexpert Nr	Description	OEM Nr	Application
346 02 310	Caliper Pad Spring Kit	TSB 3709	

Truckexpert Nr	Description	OEM Nr	Application
346 02 311	Caliper Pad Spring Kit	TSB 4309 TSB 4312	

Truckexpert Nr	Description	OEM Nr	Application												
346 01 094	Caliper Cover Set														
<table border="1" style="width: 100%; border-collapse: collapse;"> <tbody> <tr> <td style="width: 15%;">346 01 525</td> <td style="width: 65%;">Cover With Mechanism</td> <td style="width: 10%;"></td> <td style="width: 10%; text-align: right;">1</td> </tr> <tr> <td>346 01 605</td> <td>Bolt - M8 / 16 mm</td> <td></td> <td style="text-align: right;">8</td> </tr> <tr> <td>346 01 527</td> <td>Mechanism Internal Washer</td> <td></td> <td style="text-align: right;">1</td> </tr> </tbody> </table>				346 01 525	Cover With Mechanism		1	346 01 605	Bolt - M8 / 16 mm		8	346 01 527	Mechanism Internal Washer		1
346 01 525	Cover With Mechanism		1												
346 01 605	Bolt - M8 / 16 mm		8												
346 01 527	Mechanism Internal Washer		1												

BPW


Truckexpert Nr	Description	OEM Nr	Application
346 01 096	Caliper Mechanism Shaft		
			

Truckexpert Nr	Description	OEM Nr	Application						
346 01 099	Caliper Mechanism Bearing House								
									
		<table border="1"> <tbody> <tr> <td>346 01 529</td> <td>Caliper Mechanism Bushing</td> <td>1</td> </tr> <tr> <td>346 01 530</td> <td>Bearing</td> <td>1</td> </tr> </tbody> </table>	346 01 529	Caliper Mechanism Bushing	1	346 01 530	Bearing	1	
346 01 529	Caliper Mechanism Bushing	1							
346 01 530	Bearing	1							

Truckexpert Nr	Description	OEM Nr	Application
346 01 528	Caliper Mechanism Washer		
			


Truckexpert Nr	Description	OEM Nr	Application			
346 01 112	Caliper Mechanism Internal Washer Set					
						
		<table border="1"> <tbody> <tr> <td>346 01 527</td> <td>Caliper Mechanism Internal Washer</td> <td>10</td> </tr> </tbody> </table>	346 01 527	Caliper Mechanism Internal Washer	10	
346 01 527	Caliper Mechanism Internal Washer	10				



Truckexpert Nr	Description	OEM Nr	Application
346 01 089	Caliper Lever With Pin		
			
346 01 088	Caliper Lever		1
346 01 605	Pin Bolt - M8 x 1.25 / 16mm		1
346 01 531	Lever Pin		1
346 02 302	Lever Pin Washer		1

Truckexpert Nr	Description	OEM Nr	Application
346 01 088	Caliper Lever		
			

Truckexpert Nr	Description	OEM Nr	Application
346 01 093	Caliper Shaft Housing		
			

Truckexpert Nr	Description	OEM Nr	Application
346 01 091	Caliper Bearing House and Bearing		
			
346 01 090	Caliper Bearing House		1
346 01 523	Caliper Needle Bearing		2

BPW


Truckexpert Nr	Description	OEM Nr	Application
346 01 011	Roller Bearing Set		
			
346 01 936	Shaft Housing Bearing		2
346 01 937	Shaft Housing Bearing		2
346 01 938	Caliper Bearing		2


Truckexpert Nr	Description	OEM Nr	Application
346 01 013	Caliper Needle Bearing Set - (Flat)		
			
346 01 523	Caliper Needle Bearing		2


Truckexpert Nr	Description	OEM Nr	Application
346 01 085	Roller Bearing Cap Set		
			
346 01 936	Shaft Housing Bearing		2

Truckexpert Nr	Description	OEM Nr	Application
346 01 086	Roller Bearing Set		
			
346 01 937	Shaft Housing Bearing		2
346 01 938	Caliper Bearing		2

Truckexpert Nr	Description	OEM Nr	Application
346 01 087	Roller Bearing Set		
			
		346 01 936	Shaft Housing Bearing 2
		346 01 937	Shaft Housing Bearing 2
		346 01 938	Caliper Bearing 2
		346 01 523	Caliper Needle Bearing 2

Truckexpert Nr	Description	OEM Nr	Application
346 01 090	Caliper Bearing House		
			

Truckexpert Nr	Description	OEM Nr	Application
346 01 092	Caliper Mechanism House		
			

Truckexpert Nr	Description	OEM Nr	Application
346 02 206	Caliper Adjusting Mechanism Bushing		
			
346 01 090	Caliper Bearing House		1
346 01 092	Caliper Mechanism House		1
346 01 936	Shaft Housing Bearing		2
346 01 937	Shaft Housing Bearing		2
346 01 938	Caliper Bearing		2
346 01 523	Caliper Needle Bearing		2

BPW

Truckexpert Nr	Description	OEM Nr	Application
346 01 081	Caliper Seal Repair Kit		



346 01 508	O-Ring - Ø 36 / 3.5 mm	1
346 01 509	Pin Cap (Plastic)	2
346 01 510	Pin Boot	2
346 01 511	Washer (Plastic)	2
346 01 512	Plug	1


Truckexpert Nr	Description	OEM Nr	Application
346 01 082	Caliper Pin Repair Kit		



346 01 501	Caliper Pin - Ø 37 / 123 mm	1
346 01 503	Caliper Pin - Ø 36 / 70 mm	1
346 01 504	Pin Bolt - M16 x 1.5 / 100 mm	1
346 00 809	Pin Bolt - M16 x 1.5 / 70 mm	1
346 01 517	Caliper Pad Retainer Kit	1
346 01 511	Ring (Plastic)	2
346 01 502	Pin Clips	1
346 01 541	Grease - 5 g	1

346 01 082/1 Caliper Pin Repair Kit Without Chrome Plated Pins

Truckexpert Nr	Description	OEM Nr	Application
346 01 084	Caliper Manuel Adjuster Repair Kit		



346 01 521	Washer	1
346 01 533	Pinion	1
346 01 534	Spring	1
346 01 535	Seal	1
346 01 536	Bush	1
346 01 537	Ring	1

Truckexpert Nr	Description	OEM Nr	Application
346 02 411	Caliper Bearing House		TSB 3709 TSB 4309 TSB 4312



Truckexpert Nr	Description	OEM Nr	Application
346 01 114	Caliper Plug Set		



346 02 303	Plug	5
------------	------	---

Truckexpert Nr	Description	OEM Nr	Application
346 01 110	Caliper Tappet & Boot Set	09.801.07.63.1 05.801.50.90.0	





346 01 514	Tappet Boot	2
346 01 515	Cover Locker	2
346 01 516	Tappet Clamp	2
346 01 513	Tappet	2

Truckexpert Nr	Description	OEM Nr	Application
346 01 080	Caliper Tappet & Boot Set	09.801.07.63.0	



346 02 099	Tappet	2
346 01 514	Tappet Boot	2
346 01 515	Cover Locker	2
346 01 516	Tappet Clamp	2

BPW

Truckexpert Nr	Description	OEM Nr	Application																																																																		
346 01 405	Caliper Complete Mechanism Set (With Pin)																																																																				
																																																																					
																																																																					
		<table border="1"> <tbody> <tr><td>346 01 514</td><td>Tappet Boot</td><td>2</td></tr> <tr><td>346 01 515</td><td>Locker</td><td>2</td></tr> <tr><td>346 01 516</td><td>Clamp</td><td>2</td></tr> <tr><td>346 01 513</td><td>Tappet</td><td>2</td></tr> <tr><td>346 01 525</td><td>Cover With Mechanism</td><td>1</td></tr> <tr><td>346 01 605</td><td>Bolt - M8 / 16 mm</td><td>8</td></tr> <tr><td>346 01 527</td><td>Mechanism Seal</td><td>1</td></tr> <tr><td>346 01 096</td><td>Caliper Calibration Shaft</td><td>1</td></tr> <tr><td>346 01 529</td><td>Caliper Mechanism Bushing</td><td>1</td></tr> <tr><td>346 01 530</td><td>Bearing</td><td>1</td></tr> <tr><td>346 01 528</td><td>Caliper Mechanism Washer</td><td>1</td></tr> <tr><td>346 01 093</td><td>Caliper Shaft Housing</td><td>1</td></tr> <tr><td>346 01 088</td><td>Caliper Lever</td><td>1</td></tr> <tr><td>346 01 605</td><td>Pin Bolt - M8 x 1.25 / 16mm</td><td>1</td></tr> <tr><td>346 01 531</td><td>Lever Pin</td><td>1</td></tr> <tr><td>346 02 302</td><td>Lever Pin Washer</td><td>1</td></tr> <tr><td>346 01 090</td><td>Caliper Bearing House</td><td>1</td></tr> <tr><td>346 01 092</td><td>Caliper Mechanism House</td><td>1</td></tr> <tr><td>346 01 936</td><td>Shaft Housing Bearing</td><td>2</td></tr> <tr><td>346 01 937</td><td>Shaft Housing Bearing</td><td>2</td></tr> <tr><td>346 01 938</td><td>Caliper Bearing</td><td>2</td></tr> <tr><td>346 01 523</td><td>Caliper Needle Bearing</td><td>2</td></tr> </tbody> </table>	346 01 514	Tappet Boot	2	346 01 515	Locker	2	346 01 516	Clamp	2	346 01 513	Tappet	2	346 01 525	Cover With Mechanism	1	346 01 605	Bolt - M8 / 16 mm	8	346 01 527	Mechanism Seal	1	346 01 096	Caliper Calibration Shaft	1	346 01 529	Caliper Mechanism Bushing	1	346 01 530	Bearing	1	346 01 528	Caliper Mechanism Washer	1	346 01 093	Caliper Shaft Housing	1	346 01 088	Caliper Lever	1	346 01 605	Pin Bolt - M8 x 1.25 / 16mm	1	346 01 531	Lever Pin	1	346 02 302	Lever Pin Washer	1	346 01 090	Caliper Bearing House	1	346 01 092	Caliper Mechanism House	1	346 01 936	Shaft Housing Bearing	2	346 01 937	Shaft Housing Bearing	2	346 01 938	Caliper Bearing	2	346 01 523	Caliper Needle Bearing	2	
346 01 514	Tappet Boot	2																																																																			
346 01 515	Locker	2																																																																			
346 01 516	Clamp	2																																																																			
346 01 513	Tappet	2																																																																			
346 01 525	Cover With Mechanism	1																																																																			
346 01 605	Bolt - M8 / 16 mm	8																																																																			
346 01 527	Mechanism Seal	1																																																																			
346 01 096	Caliper Calibration Shaft	1																																																																			
346 01 529	Caliper Mechanism Bushing	1																																																																			
346 01 530	Bearing	1																																																																			
346 01 528	Caliper Mechanism Washer	1																																																																			
346 01 093	Caliper Shaft Housing	1																																																																			
346 01 088	Caliper Lever	1																																																																			
346 01 605	Pin Bolt - M8 x 1.25 / 16mm	1																																																																			
346 01 531	Lever Pin	1																																																																			
346 02 302	Lever Pin Washer	1																																																																			
346 01 090	Caliper Bearing House	1																																																																			
346 01 092	Caliper Mechanism House	1																																																																			
346 01 936	Shaft Housing Bearing	2																																																																			
346 01 937	Shaft Housing Bearing	2																																																																			
346 01 938	Caliper Bearing	2																																																																			
346 01 523	Caliper Needle Bearing	2																																																																			

Truckexpert Nr	Description	OEM Nr	Application																																																																																																																																	
346 02 314	Caliper Complete Repair Kit (With Pin)																																																																																																																																			
																																																																																																																																				
																																																																																																																																				
		<table border="1"> <tbody> <tr><td>346 01 513</td><td>Tappet</td><td>2</td></tr> <tr><td>346 01 514</td><td>Tappet Boot</td><td>2</td></tr> <tr><td>346 01 515</td><td>Locker</td><td>2</td></tr> <tr><td>346 01 516</td><td>Clamp</td><td>2</td></tr> <tr><td>346 01 525</td><td>Cover With Mechanism</td><td>1</td></tr> <tr><td>346 01 605</td><td>Bolt M8 X 16 mm</td><td>8</td></tr> <tr><td>346 01 527</td><td>Mechanism Internal Washer</td><td>1</td></tr> <tr><td>346 01 096</td><td>Caliper Mechanism Shaft</td><td>1</td></tr> <tr><td>346 01 529</td><td>Slot</td><td>1</td></tr> <tr><td>346 01 530</td><td>Bearing</td><td>1</td></tr> <tr><td>346 01 528</td><td>Caliper Mechanism Washer</td><td>1</td></tr> <tr><td>346 01 093</td><td>Caliper Shaft Housing</td><td>1</td></tr> <tr><td>346 01 088</td><td>Lever</td><td>1</td></tr> <tr><td>346 01 531</td><td>Lever Pin</td><td>1</td></tr> <tr><td>346 02 302</td><td>Lever Pin Washer</td><td>1</td></tr> <tr><td>346 01 605</td><td>Bolt M8 X 1,25 / 16 mm</td><td>1</td></tr> <tr><td>346 01 090</td><td>Caliper Bearing House</td><td>1</td></tr> <tr><td>346 01 092</td><td>Caliper Mechanism House</td><td>1</td></tr> <tr><td>346 01 523</td><td>Caliper Needle Bearing</td><td>2</td></tr> <tr><td>346 01 936</td><td>Shaft Housing Bearing</td><td>2</td></tr> <tr><td>346 01 937</td><td>Shaft Housing Bearing</td><td>2</td></tr> <tr><td>346 01 938</td><td>Caliper Bearing</td><td>2</td></tr> <tr><td>346 01 501</td><td>Caliper Pin Ø 37 / 123 mm</td><td>1</td></tr> <tr><td>346 01 503</td><td>Caliper Pin Ø 36 / 70 mm</td><td>1</td></tr> <tr><td>346 01 504</td><td>Pin Bolt M16 X 1.5 / 100 mm</td><td>1</td></tr> <tr><td>346 00 809</td><td>Pin Bolt M16 X 1.5 / 70 mm</td><td>1</td></tr> <tr><td>346 01 508</td><td>O-Ring Ø 36 / 3.5 mm</td><td>1</td></tr> <tr><td>346 01 506</td><td>Bush Ø 41 X 37 / 73 mm</td><td>1</td></tr> <tr><td>346 01 507</td><td>Bush Ø 41 X 37 / 30 mm</td><td>1</td></tr> <tr><td>346 01 510</td><td>Pin Boot</td><td>2</td></tr> <tr><td>346 01 511</td><td>Ring (Plastic)</td><td>2</td></tr> <tr><td>346 01 509</td><td>Pin Cap (Plastic)</td><td>2</td></tr> <tr><td>346 01 512</td><td>Plug</td><td>1</td></tr> <tr><td>346 01 533</td><td>Pinion</td><td>1</td></tr> <tr><td>346 01 534</td><td>Spring</td><td>1</td></tr> <tr><td>346 01 535</td><td>Seal</td><td>1</td></tr> <tr><td>346 01 521</td><td>Washer</td><td>1</td></tr> <tr><td>346 01 536</td><td>Bush</td><td>1</td></tr> <tr><td>346 01 537</td><td>Ring</td><td>1</td></tr> <tr><td>346 02 301</td><td>Caliper Pad Retainer Kit</td><td>1</td></tr> <tr><td>346 02 303</td><td>Plug</td><td>2</td></tr> <tr><td>346 01 502</td><td>Pin Clips</td><td>1</td></tr> <tr><td>346 01 541</td><td>Grease - 5 g</td><td>1</td></tr> </tbody> </table>	346 01 513	Tappet	2	346 01 514	Tappet Boot	2	346 01 515	Locker	2	346 01 516	Clamp	2	346 01 525	Cover With Mechanism	1	346 01 605	Bolt M8 X 16 mm	8	346 01 527	Mechanism Internal Washer	1	346 01 096	Caliper Mechanism Shaft	1	346 01 529	Slot	1	346 01 530	Bearing	1	346 01 528	Caliper Mechanism Washer	1	346 01 093	Caliper Shaft Housing	1	346 01 088	Lever	1	346 01 531	Lever Pin	1	346 02 302	Lever Pin Washer	1	346 01 605	Bolt M8 X 1,25 / 16 mm	1	346 01 090	Caliper Bearing House	1	346 01 092	Caliper Mechanism House	1	346 01 523	Caliper Needle Bearing	2	346 01 936	Shaft Housing Bearing	2	346 01 937	Shaft Housing Bearing	2	346 01 938	Caliper Bearing	2	346 01 501	Caliper Pin Ø 37 / 123 mm	1	346 01 503	Caliper Pin Ø 36 / 70 mm	1	346 01 504	Pin Bolt M16 X 1.5 / 100 mm	1	346 00 809	Pin Bolt M16 X 1.5 / 70 mm	1	346 01 508	O-Ring Ø 36 / 3.5 mm	1	346 01 506	Bush Ø 41 X 37 / 73 mm	1	346 01 507	Bush Ø 41 X 37 / 30 mm	1	346 01 510	Pin Boot	2	346 01 511	Ring (Plastic)	2	346 01 509	Pin Cap (Plastic)	2	346 01 512	Plug	1	346 01 533	Pinion	1	346 01 534	Spring	1	346 01 535	Seal	1	346 01 521	Washer	1	346 01 536	Bush	1	346 01 537	Ring	1	346 02 301	Caliper Pad Retainer Kit	1	346 02 303	Plug	2	346 01 502	Pin Clips	1	346 01 541	Grease - 5 g	1	
346 01 513	Tappet	2																																																																																																																																		
346 01 514	Tappet Boot	2																																																																																																																																		
346 01 515	Locker	2																																																																																																																																		
346 01 516	Clamp	2																																																																																																																																		
346 01 525	Cover With Mechanism	1																																																																																																																																		
346 01 605	Bolt M8 X 16 mm	8																																																																																																																																		
346 01 527	Mechanism Internal Washer	1																																																																																																																																		
346 01 096	Caliper Mechanism Shaft	1																																																																																																																																		
346 01 529	Slot	1																																																																																																																																		
346 01 530	Bearing	1																																																																																																																																		
346 01 528	Caliper Mechanism Washer	1																																																																																																																																		
346 01 093	Caliper Shaft Housing	1																																																																																																																																		
346 01 088	Lever	1																																																																																																																																		
346 01 531	Lever Pin	1																																																																																																																																		
346 02 302	Lever Pin Washer	1																																																																																																																																		
346 01 605	Bolt M8 X 1,25 / 16 mm	1																																																																																																																																		
346 01 090	Caliper Bearing House	1																																																																																																																																		
346 01 092	Caliper Mechanism House	1																																																																																																																																		
346 01 523	Caliper Needle Bearing	2																																																																																																																																		
346 01 936	Shaft Housing Bearing	2																																																																																																																																		
346 01 937	Shaft Housing Bearing	2																																																																																																																																		
346 01 938	Caliper Bearing	2																																																																																																																																		
346 01 501	Caliper Pin Ø 37 / 123 mm	1																																																																																																																																		
346 01 503	Caliper Pin Ø 36 / 70 mm	1																																																																																																																																		
346 01 504	Pin Bolt M16 X 1.5 / 100 mm	1																																																																																																																																		
346 00 809	Pin Bolt M16 X 1.5 / 70 mm	1																																																																																																																																		
346 01 508	O-Ring Ø 36 / 3.5 mm	1																																																																																																																																		
346 01 506	Bush Ø 41 X 37 / 73 mm	1																																																																																																																																		
346 01 507	Bush Ø 41 X 37 / 30 mm	1																																																																																																																																		
346 01 510	Pin Boot	2																																																																																																																																		
346 01 511	Ring (Plastic)	2																																																																																																																																		
346 01 509	Pin Cap (Plastic)	2																																																																																																																																		
346 01 512	Plug	1																																																																																																																																		
346 01 533	Pinion	1																																																																																																																																		
346 01 534	Spring	1																																																																																																																																		
346 01 535	Seal	1																																																																																																																																		
346 01 521	Washer	1																																																																																																																																		
346 01 536	Bush	1																																																																																																																																		
346 01 537	Ring	1																																																																																																																																		
346 02 301	Caliper Pad Retainer Kit	1																																																																																																																																		
346 02 303	Plug	2																																																																																																																																		
346 01 502	Pin Clips	1																																																																																																																																		
346 01 541	Grease - 5 g	1																																																																																																																																		
	346 02 314/1 Caliper Complete Repair Kit (With Pin) Without Chrome Plated Pins																																																																																																																																			

Truckexpert Nr	Description	OEM Nr	Application
----------------	-------------	--------	-------------

346 02 029 Caliper Complete Mechanism Set (Without Pin)



346 02 099	Tappet	2
346 01 514	Tappet Boot	2
346 01 515	Locker	2
346 01 516	Clamp	2
346 01 525	Cover With Mechanism	1
346 01 605	Bolt M8 X 16 mm	8
346 01 527	Mechanism Internal Washer	1
346 01 096	Caliper Mechanism Shaft	1
346 01 529	Slot	1
346 01 530	Bearing	1
346 01 528	Caliper Mechanism Washer	1
346 01 093	Caliper Shaft Housing	1
346 01 531	Lever Pin	1
346 01 088	Lever	1
346 02 302	Lever Pin Washer	1
346 01 605	Bolt M8 X 1,25 / 16 mm	1
346 01 090	Caliper Bearing House	1
346 01 092	Caliper Mechanism House	1
346 01 523	Caliper Needle Bearing	2
346 01 936	Shaft Housing Bearing	2
346 01 937	Shaft Housing Bearing	2
346 01 938	Caliper Bearing	2

Truckexpert Nr	Description	OEM Nr	Application
----------------	-------------	--------	-------------

346 02 315 Caliper Complete Repair Kit (Without Pin)

346 02 099	Tappet	2
346 01 514	Tappet Boot	2
346 01 515	Locker	2
346 01 516	Clamp	2
346 01 525	Cover With Mechanism	1
346 01 605	Bolt M8 X 16 mm	8
346 01 527	Mechanism Internal Washer	1
346 01 096	Caliper Mechanism Shaft	1
346 01 529	Slot	1
346 01 530	Bearing	1
346 01 528	Caliper Mechanism Washer	1
346 01 093	Caliper Shaft Housing	1
346 01 531	Lever Pin	1
346 01 088	Lever	1
346 02 302	Lever Pin Washer	1
346 01 605	Bolt M8 X 1,25 / 16 mm	1
346 01 090	Caliper Bearing House	1
346 01 092	Caliper Mechanism House	1
346 01 523	Caliper Needle Bearing	2
346 01 936	Shaft Housing Bearing	2
346 01 937	Shaft Housing Bearing	2
346 01 938	Caliper Bearing	2
346 01 501	Caliper Pin Ø 37 / 123 mm	1
346 01 503	Caliper Pin Ø 36 / 70 mm	1
346 01 504	Pin Bolt M16 X 1.5 / 100 mm	1
346 00 809	Pin Bolt M16 X 1.5 / 70 mm	1
346 01 508	O-Ring Ø 36 / 3.5 mm	1
346 01 506	Bush Ø 41 X 37 / 73 mm	1
346 01 507	Bush Ø 41 X 37 / 30 mm	1
346 01 510	Pin Boot	2
346 01 511	Ring (Plastic)	2
346 01 509	Pin Cap (Plastic)	2
346 01 512	Plug	1
346 01 533	Pinion	1
346 01 534	Spring	1
346 01 535	Seal	1
346 01 521	Washer	1
346 01 536	Bush	1
346 01 537	Ring	1
346 02 301	Caliper Pad Retainer Kit	1
346 02 303	Plug	2
346 01 502	Pin Clips	1
346 01 541	Grease - 5 g	1



346 02 315/1 Caliper Complete Repair Kit (Without Pin) Without Chrome Plated Pins



HYDRAULIC

www.Lkwexpert.com


HYDRAULIC

Truckexpert Nr	Description	OEM Nr	Application
346 00 515	Caliper Pin Repair Kit	SJ1022	58 FRONT 68 FRONT 58 REAR 68 REAR



346 00 868	Caliper Pin Ø 20 / 71 mm	2
346 02 023	Caliper Pin Bolt - M12 x 1,25 / 85 mm	2
346 01 955	Pin Cap Ø 24 / 12 mm	2
346 00 912	Caliper Pin Bellow (Black)	2
346 01 956	Plug	2
346 01 541	Grease - 5 g	2

Truckexpert Nr	Description	OEM Nr	Application
346 00 530	Caliper Pin Repair Kit	SP8902	60 FRONT Mercedes Type



346 02 369	Caliper Pin - Ø 20 / 80 mm	2
346 02 370	Pin Bolt - M12 x 1.25 / 95 mm	2
346 00 912	Pin Boot	2
346 01 956	Plug	2
346 01 541	Grease - 5 g	2

Truckexpert Nr	Description	OEM Nr	Application
346 02 307	Caliper Pin Repair Kit	MB 000 421 8386 ST1154	60 FRONT Iveco Type



346 00 912	Caliper Pin Bellow (Black)	2
346 01 955	Pin Cap Ø 24 / 12 mm	2
346 01 956	Plug	2

HYDRAULIC

Truckexpert Nr	Description	OEM Nr	Application
346 02 316	Caliper Pin Repair Kit	SJ1034	60 REAR



346 02 028	Caliper Pin Ø 20X71	2
346 02 023	Caliper Pin Bolt M12 x 1,25 / 85	2
346 01 955	Pin Cap Ø 24 / 12 mm	2
346 00 912	Caliper Pin Bellow (Black)	2
346 01 956	Plug	2
346 01 541	Grease - 5 g	2

Truckexpert Nr	Description	OEM Nr	Application
346 00 516	Caliper Pin Boot Kit	ST1154	



346 02 028	Caliper Pin Ø 20X71	2
346 02 023	Caliper Pin Bolt M12 x 1,25 / 85 mm	2
346 01 955	Pin Cap Ø 24 / 12 mm	2
346 00 912	Caliper Pin Bellow (Black)	2
346 01 541	Grease - 5 g	2

Truckexpert Nr	Description	OEM Nr	Application						
346 00 527	Caliper Pin Repair Kit	SP8566							
									
		<table border="1"> <tr> <td>346 00 912</td> <td>Pin Boot</td> <td>2</td> </tr> <tr> <td>346 01 956</td> <td>Plug</td> <td>2</td> </tr> </table>	346 00 912	Pin Boot	2	346 01 956	Plug	2	
346 00 912	Pin Boot	2							
346 01 956	Plug	2							

Truckexpert Nr	Description	OEM Nr	Application
346 00 517	Caliper Repair Kit	SJ1214	
			

Truckexpert Nr	Description	OEM Nr	Application
346 00 518	Caliper Repair Kit	SJ1215	
			

Truckexpert Nr	Description	OEM Nr	Application
346 02 318	Caliper Boot & Seal Repair Kit	SP9669	58 REAR
346 02 357	Piston Boot		2
346 02 358	Piston Seal		2
346 00 912	Pin Boot		2
346 00 904	Pin Cap - Ø 22 / 12 mm		2
346 00 905	Pin Cap - Ø 22 / 8 mm		2
346 02 013	O-Ring (Big)		1
346 02 009	O-Ring (Small)		2
346 02 014	Seal (Big)		1
346 02 008	Seal (Small)		2
346 02 016	Plastic Ring		1
346 02 011	Circlips Increased		1
346 02 012	Circlips		1
346 01 541	Grease - 5 g		1

Truckexpert Nr	Description	OEM Nr	Application
346 02 319	Caliper Boot & Seal Repair Kit	SJ1030	60 REAR
346 02 017	Piston Boot		2
346 02 018	Piston Seal		2
346 00 912	Pin Boot		2
346 01 955	Pin Cap -Ø 24 /12 mm		2
346 01 956	Plug		2
346 02 013	O-Ring (Big)		1
346 02 009	O-Ring (Small)		2
346 02 014	Seal (Big)		1
346 02 008	Seal (Small)		2
346 02 016	Plastic Ring		1
346 02 011	Circlips Increased		1
346 02 012	Circlips		1
346 01 541	Grease - 5 g		1

Truckexpert Nr	Description	OEM Nr	Application
346 00 528	Caliper Boot & Seal Repair Kit	SP9670	68 REAR




346 02 019	Piston Boot	2
346 02 020	Piston Seal	2
346 00 912	Pin Boot	2
346 00 904	Pin Cap - Ø 22 / 12 mm	2
346 00 905	Pin Cap - Ø 22 / 8 mm	2
346 02 013	O-Ring (Big)	1
346 02 009	O-Ring (Small)	2
346 02 014	Seal (Big)	1
346 02 008	Seal (Small)	2
346 02 016	Plastic Ring	1
346 02 011	Circlips Increased	1
346 02 012	Circlips	1
346 01 541	Grease - 5 g	2

Truckexpert Nr	Description	OEM Nr	Application
346 02 320	Caliper Boot & Seal Repair Kit	SJ1033	68 REAR



346 02 019	Piston Boot	2
346 02 020	Piston Seal	2
346 00 912	Pin Boot	2
346 01 955	Pin Cap -Ø 24 /12 mm	2
346 01 956	Plug	2
346 02 013	O-Ring (Big)	1
346 02 009	O-Ring (Small)	2
346 02 014	Seal (Big)	1
346 02 008	Seal (Small)	2
346 02 016	Plastic Ring	1
346 02 011	Circlips Increased	1
346 02 012	Circlips	1
346 01 541	Grease - 5 g	2

Truckexpert Nr	Description	OEM Nr	Application															
346 00 525	Caliper Boot Kit	SP8567	58 FRONT															
																		
<table border="1"> <tbody> <tr> <td>346 02 357</td> <td>Piston Boot</td> <td>2</td> </tr> <tr> <td>346 02 358</td> <td>Piston Seal</td> <td>2</td> </tr> <tr> <td>346 00 912</td> <td>Pin Boot</td> <td>2</td> </tr> <tr> <td>346 00 904</td> <td>Pin Cap - Ø 22 / 12 mm</td> <td>2</td> </tr> <tr> <td>346 00 905</td> <td>Pin Cap - Ø 22 / 8 mm</td> <td>2</td> </tr> </tbody> </table>				346 02 357	Piston Boot	2	346 02 358	Piston Seal	2	346 00 912	Pin Boot	2	346 00 904	Pin Cap - Ø 22 / 12 mm	2	346 00 905	Pin Cap - Ø 22 / 8 mm	2
346 02 357	Piston Boot	2																
346 02 358	Piston Seal	2																
346 00 912	Pin Boot	2																
346 00 904	Pin Cap - Ø 22 / 12 mm	2																
346 00 905	Pin Cap - Ø 22 / 8 mm	2																


Truckexpert Nr	Description	OEM Nr	Application									
346 00 526	Caliper Boot Kit	SP8597	60 FRONT									
												
<table border="1"> <tbody> <tr> <td>346 02 017</td> <td>Piston Boot</td> <td>2</td> </tr> <tr> <td>346 02 018</td> <td>Piston Seal</td> <td>2</td> </tr> <tr> <td>346 00 912</td> <td>Pin Boot</td> <td>2</td> </tr> </tbody> </table>				346 02 017	Piston Boot	2	346 02 018	Piston Seal	2	346 00 912	Pin Boot	2
346 02 017	Piston Boot	2										
346 02 018	Piston Seal	2										
346 00 912	Pin Boot	2										

Truckexpert Nr	Description	OEM Nr	Application												
346 00 514	Caliper Boot Kit	SJ1037	60 FRONT												
															
<table border="1"> <tbody> <tr> <td>346 02 017</td> <td>Piston Boot</td> <td>2</td> </tr> <tr> <td>346 02 018</td> <td>Piston Seal</td> <td>2</td> </tr> <tr> <td>346 00 912</td> <td>Pin Boot</td> <td>2</td> </tr> <tr> <td>346 01 955</td> <td>Pin Cap -Ø 24 /12 mm</td> <td>2</td> </tr> </tbody> </table>				346 02 017	Piston Boot	2	346 02 018	Piston Seal	2	346 00 912	Pin Boot	2	346 01 955	Pin Cap -Ø 24 /12 mm	2
346 02 017	Piston Boot	2													
346 02 018	Piston Seal	2													
346 00 912	Pin Boot	2													
346 01 955	Pin Cap -Ø 24 /12 mm	2													

Truckexpert Nr	Description	OEM Nr	Application															
346 00 524	Caliper Boot Kit	SP8564	68 FRONT															
																		
<table border="1"> <tbody> <tr> <td>346 02 019</td> <td>Piston Boot</td> <td>2</td> </tr> <tr> <td>346 02 020</td> <td>Piston Seal</td> <td>2</td> </tr> <tr> <td>346 00 912</td> <td>Pin Boot</td> <td>2</td> </tr> <tr> <td>346 00 904</td> <td>Pin Cap - Ø 22 / 12 mm</td> <td>2</td> </tr> <tr> <td>346 00 905</td> <td>Pin Cap - Ø 22 / 8 mm</td> <td>2</td> </tr> </tbody> </table>				346 02 019	Piston Boot	2	346 02 020	Piston Seal	2	346 00 912	Pin Boot	2	346 00 904	Pin Cap - Ø 22 / 12 mm	2	346 00 905	Pin Cap - Ø 22 / 8 mm	2
346 02 019	Piston Boot	2																
346 02 020	Piston Seal	2																
346 00 912	Pin Boot	2																
346 00 904	Pin Cap - Ø 22 / 12 mm	2																
346 00 905	Pin Cap - Ø 22 / 8 mm	2																

Truckexpert Nr	Description	OEM Nr	Application																		
346 02 321	Caliper Pin Repair Kit	000 421 0850	Brembo Type for Mercedes Sprinter																		
																					
<table border="1"> <tbody> <tr> <td>346 02 345</td> <td>Caliper Pin - Ø 18 / 66 mm</td> <td>1</td> </tr> <tr> <td>346 02 346</td> <td>Caliper Pin - Ø18 / 66 mm - With Bush Slot</td> <td>1</td> </tr> <tr> <td>346 02 347</td> <td>Pin Boot - M8 x 1.25 / 70 mm</td> <td>2</td> </tr> <tr> <td>346 02 348</td> <td>Pin Boot</td> <td>2</td> </tr> <tr> <td>346 02 349</td> <td>Rubber Bush</td> <td>1</td> </tr> <tr> <td>346 02 350</td> <td>Rubber Plug</td> <td>2</td> </tr> </tbody> </table>				346 02 345	Caliper Pin - Ø 18 / 66 mm	1	346 02 346	Caliper Pin - Ø18 / 66 mm - With Bush Slot	1	346 02 347	Pin Boot - M8 x 1.25 / 70 mm	2	346 02 348	Pin Boot	2	346 02 349	Rubber Bush	1	346 02 350	Rubber Plug	2
346 02 345	Caliper Pin - Ø 18 / 66 mm	1																			
346 02 346	Caliper Pin - Ø18 / 66 mm - With Bush Slot	1																			
346 02 347	Pin Boot - M8 x 1.25 / 70 mm	2																			
346 02 348	Pin Boot	2																			
346 02 349	Rubber Bush	1																			
346 02 350	Rubber Plug	2																			

Truckexpert Nr	Description	OEM Nr	Application															
346 02 322	Caliper Pin Repair Kit	000 423 0663	Brembo Type for Mercedes Sprinter															
																		
<table border="1"> <tbody> <tr> <td>346 02 340</td> <td>Caliper Pin - Ø 12.15 / 82 mm</td> <td>1</td> </tr> <tr> <td>346 02 341</td> <td>Caliper Pin - Ø 11.50 / 82 mm - With Bush Slot</td> <td>1</td> </tr> <tr> <td>346 02 342</td> <td>Pin Boot - M10 x 1.25 / 30 mm</td> <td>2</td> </tr> <tr> <td>346 02 343</td> <td>Pin Boot</td> <td>2</td> </tr> <tr> <td>346 02 344</td> <td>Rubber Bush</td> <td>1</td> </tr> </tbody> </table>				346 02 340	Caliper Pin - Ø 12.15 / 82 mm	1	346 02 341	Caliper Pin - Ø 11.50 / 82 mm - With Bush Slot	1	346 02 342	Pin Boot - M10 x 1.25 / 30 mm	2	346 02 343	Pin Boot	2	346 02 344	Rubber Bush	1
346 02 340	Caliper Pin - Ø 12.15 / 82 mm	1																
346 02 341	Caliper Pin - Ø 11.50 / 82 mm - With Bush Slot	1																
346 02 342	Pin Boot - M10 x 1.25 / 30 mm	2																
346 02 343	Pin Boot	2																
346 02 344	Rubber Bush	1																


Truckexpert Nr	Description	OEM Nr	Application
346 00 511	Caliper Repair Kit		
			

HYDRAULIC

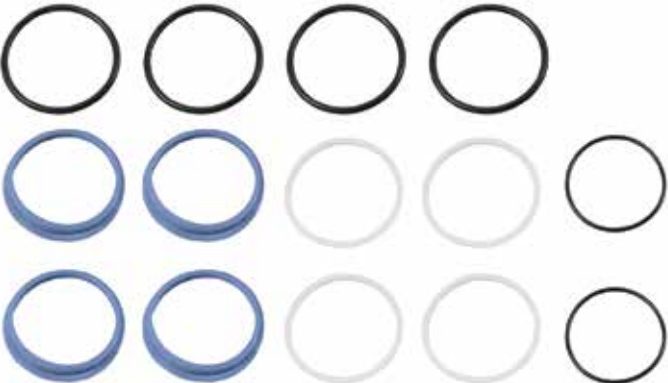
Truckexpert Nr	Description	OEM Nr	Application
346 00 510	Caliper Repair Kit	KN352798	
			

Truckexpert Nr	Description	OEM Nr	Application
346 00 512	Caliper Repair Kit		
			


Truckexpert Nr	Description	OEM Nr	Application
346 00 513	Caliper Repair Kit		
			

Truckexpert Nr	Description	OEM Nr	Application
346 00 519	Caliper Pin Repair Kit	SJ1091	
			

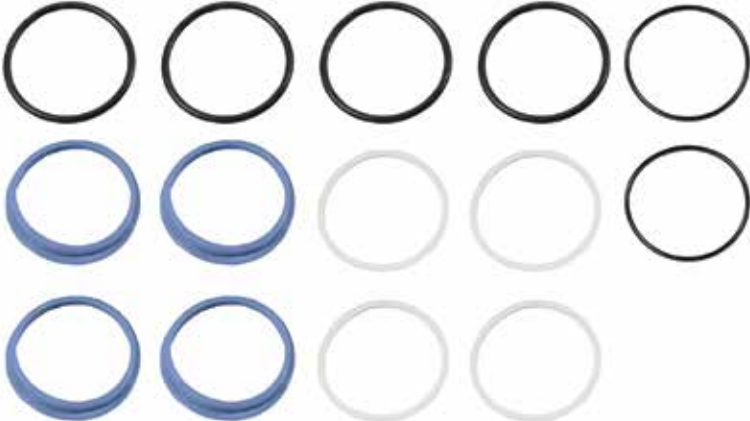
Truckexpert Nr	Description	OEM Nr	Application
346 00 520	Caliper Pin Repair Kit	SJ1092	
			

Truckexpert Nr	Description	OEM Nr	Application
346 00 521	Brake Caliper Repair Kit	VOLVO 6212908 11994196	
			

Truckexpert Nr	Description	OEM Nr	Application
346 00 522	Caliper Pin Repair Kit	VOLVO 6211532	



Truckexpert Nr	Description	OEM Nr	Application
346 00 523	Caliper Pin Repair Kit	VOLVO 6213565 11994197	



Truckexpert Nr	Description	OEM Nr	Application
346 00 529	Brake Caliper Repair Kit	SP8565	



346 00 868	Caliper Pin Ø 20 / 71 mm	2
346 00 835	Caliper Pin Bolt M12 X 1,25 / 85 mm	2
346 00 912	Caliper Pin Bellow (Black)	2
346 00 904	Caliper Pin Cap - Ø 22 / 12 mm	2
346 00 905	Caliper Pin Cap - Ø 22 / 8 mm	2
346 01 541	Grease - 5 g	2




Z-CAM


www.Lkwexpert.com

Z-CAM


Truckexpert Nr	Description	OEM Nr	Application
350 11 001	Brake Adjusting Shaft-L	ST4014 ST4023 A164061 68192565	
			


Truckexpert Nr	Description	OEM Nr	Application
350 11 002	Brake Adjusting Shaft-R	ST4013 ST4024 A164062 68192566	
			


Truckexpert Nr	Description	OEM Nr	Application
350 11 006	Brake Adjusting Pinion - L	A164052 68191510	
			


Truckexpert Nr	Description	OEM Nr	Application
350 11 007	Brake Adjusting Pinion - R	A164055 68191511	
			


Truckexpert Nr	Description	OEM Nr	Application
350 11 004	Brake Adjusting Pinion - L	ST1038	
			

Truckexpert Nr	Description	OEM Nr	Application
350 11 003	Brake Adjusting Pinion - R	ST1039	
			

Truckexpert Nr	Description	OEM Nr	Application
346 02 323	Brake Adjusting Pinion - L	68020145	
			


Truckexpert Nr	Description	OEM Nr	Application
346 02 324	Brake Adjusting Pinion - R	68020146	
			


Truckexpert Nr	Description	OEM Nr	Application
346 02 325	Brake Adjusting Pinion Set - L	SP8548	
			


Truckexpert Nr	Description	OEM Nr	Application
346 02 328	Brake Adjusting Pinion Set - R	SP8549	
			

Truckexpert Nr	Description	OEM Nr	Application
350 11 005	Brake Adjusting Cross Shaft	SP8540 ST4018 68191219	
			

Truckexpert Nr	Description	OEM Nr	Application
350 11 504	Brake Adjusting Locking Pin Set	ST1033	
			

Truckexpert Nr	Description	OEM Nr	Application
350 11 507	Brake Adjuster Locking Pin Set	ST1035 ST4022	
			

Truckexpert Nr	Description	OEM Nr	Application
350 11 503	Brake Adjuster Locking Pin Set	ST1034	
			

Truckexpert Nr	Description	OEM Nr	Application
350 11 009	Brake Adjusting Pin	137075 68192487	
			

Truckexpert Nr	Description	OEM Nr	Application
350 11 008	Brake Adjusting Pin	137074 64225252	
			

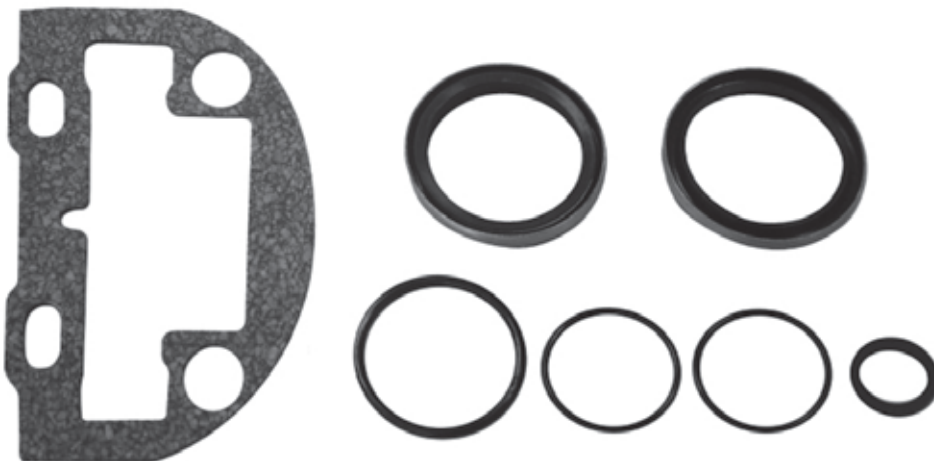
Truckexpert Nr	Description	OEM Nr	Application
350 11 010	Brake Adjusting Cover	166062 68191065	



Truckexpert Nr	Description	OEM Nr	Application
350 11 509	Brake Adjusting Cover Gasket	166063 68191066	



Truckexpert Nr	Description	OEM Nr	Application
350 11 506	Brake Adjusting Gasket Set	ST1053 ST4025	



Truckexpert Nr	Description	OEM Nr	Application
346 02 326	Brake Adjusting Shaft Cover Set	SP7984 ST4019	



350 11 015 Brake Adjusting Shaft Cover 2

Truckexpert Nr	Description	OEM Nr	Application
350 11 502	Reverse Lock Repair Kit - L	ST1036 ST4021 68191540	



Truckexpert Nr	Description	OEM Nr	Application
350 11 501	Reverse Lock Repair Kit - R	ST1037 ST4020 68191541	



Truckexpert Nr	Description	OEM Nr	Application
350 11 508	Brake Adjuster Dust Cover	68192410	





Truckexpert Nr	Description	OEM Nr	Application
350 11 011	Brake Adjuster Return Spring	167090 68192115	



Truckexpert Nr	Description	OEM Nr	Application
346 02 327	Brake Adjusting Pin	68191930	





Truckexpert Nr	Description	OEM Nr	Application
346 02 329	Complete Repair Set - L		
			
350 11 011	Brake Adjuster Return Spring		1
350 11 001	Brake Adjusting Shaft-L		1
350 11 002	Brake adjusting Shaft-R		1
350 11 005	Brake Adjusting Cross Shaft		1
350 11 508	Brake Adjuster Dust Cover		2
350 11 008	Brake Adjusting Pin		2
350 11 506	Brake Adjusting Gasket Set		1
346 02 325	Brake Adjusting Pinion Set - L		1

Truckexpert Nr	Description	OEM Nr	Application
346 02 330	Complete Repair Set - R		
			
350 11 011	Brake Adjuster Return Spring		1
350 11 001	Brake Adjusting Shaft-L		1
350 11 002	Brake adjusting Shaft-R		1
350 11 005	Brake Adjusting Cross Shaft		1
350 11 508	Brake Adjuster Dust Cover		2
350 11 008	Brake Adjusting Pin		2
350 11 506	Brake Adjusting Gasket Set		1
346 02 328	Brake Adjusting Pinion Set - R		1



Truckexpert Nr	Description	OEM Nr	Application
350 11 015	Brake Adjusting Shaft Cover		
			

Truckexpert Nr	Description	OEM Nr	Application
350 11 012	Pinion (Right)	A164055 68191511	
			

Truckexpert Nr	Description	OEM Nr	Application
350 11 013	Pinion (Left)	A164052 68191510	
			

Truckexpert Nr	Description	OEM Nr	Application
350 11 505	Brake Adjuster Repair Kit		
			

A large, stylized graphic of the IVECO logo, composed of three overlapping chevron shapes pointing to the right. The top chevron is light gray, the middle is medium gray, and the bottom is dark gray. The background is a solid red color.

IVECO

www.Lkwexpert.com

IVECO

Truckexpert Nr	Description	OEM Nr	Application
346 00 548	Dust Boot		394/381 DUPLEX



346 00 951	Brake Anchor Plunger Seal	1
346 01 103	Brake Adjusting Seal	1

Truckexpert Nr	Description	OEM Nr	Application
346 00 541	Brake Anchor Plunger Set - L	RBSK0248B.M	394/381 DUPLEX



346 01 890	Brake Adjusting Guide Screw	2
346 00 783	Brake Anchor Plunger - L	2
346 00 951	Brake Anchor Plunger Seal	2

Truckexpert Nr	Description	OEM Nr	Application
346 00 540	BrakeAnchor Plunger Set - R	RBSK0249B.M	394/381 DUPLEX



346 01 890	Brake Adjusting Guide Screw	2
346 01 881	Brake Anchor Plunger - R	2
346 00 951	Brake Anchor Plunger Seal	2

Truckexpert Nr	Description	OEM Nr	Application
346 02 333	Brake Adjusting Seal Set	RBSK0251B.M	394/381 DUPLEX



346 01 103	Brake Adjusting Seal	4
346 00 951	Brake Anchor Plunger Seal	4




Truckexpert Nr	Description	OEM Nr	Application
346 00 542	Brake Adjusting Repair Kit	RBSK0502B.M	394/381 DUPLEX




346 00 788	Brake Adjusting Guide Pawl	2
346 00 781	Brake Adjusting Actuator	2
346 00 785	Brake Adjusting Plunger	2
346 00 786	Brake Adjustin Bolt	2
346 01 103	Brake Adjusting Seal	2
344 00 003	Brake Adjusting Return Spring	2

Truckexpert Nr	Description	OEM Nr	Application
346 02 335	Brake Adjusting Bolt Set		394/381 DUPLEX




346 00 786	Brake Adjusting Bolt	2
-------------------	----------------------	---

Truckexpert Nr	Description	OEM Nr	Application
346 00 786	Brake Adjustin Bolt	42480059	394/381 DUPLEX




Truckexpert Nr	Description	OEM Nr	Application
346 00 539	Brake Adjusting Plunger Set	RBSK0549B.M	394/381 DUPLEX



346 00 788	Brake Adjusting Guide Pawl	1
346 00 781	Brake Adjusting Actuator	1
346 00 785	Brake Adjusting Plunger	1




Truckexpert Nr	Description	OEM Nr	Application			
346 01 077	Brake Wedge Set	RBSK0250B.M 7980407	394/381 DUPLEX			
		<table border="1"> <tr> <td>346 00 546</td> <td>Brake Wedge Assembly</td> <td>2</td> </tr> </table>		346 00 546	Brake Wedge Assembly	2
346 00 546	Brake Wedge Assembly	2				

Truckexpert Nr	Description	OEM Nr	Application
346 00 546	Brake Wedge Assembly	42480062	394/381 DUPLEX
			

Truckexpert Nr	Description	OEM Nr	Application
346 02 334	Brake Wedge		394/381 DUPLEX
			

Truckexpert Nr	Description	OEM Nr	Application
346 00 775	Brake Collet Nut - Short	165017	394/381 DUPLEX
			





Truckexpert Nr	Description	OEM Nr	Application
346 00 772	Brake Collet Nut - Long	165005	394/381 DUPLEX
			

Truckexpert Nr	Description	OEM Nr	Application
346 00 777	Brake Hold-Down Clip	2257M1001 2257D108	394/381 DUPLEX
			


Truckexpert Nr	Description	OEM Nr	Application
346 00 776	Hold Down Clip	2257Y1143	394/381 DUPLEX
			


Truckexpert Nr	Description	OEM Nr	Application
346 00 778	Hold Down Clip	2257P1004	394/381 DUPLEX
			


Truckexpert Nr	Description	OEM Nr	Application
346 00 773	Collet Nut (Short)	165004	394/381 DUPLEX
			

Truckexpert Nr	Description	OEM Nr	Application
346 00 774	Collet Nut (Short)	165062	394/381 DUPLEX
			

Truckexpert Nr	Description	OEM Nr	Application
346 00 783	Brake Anchor Plunger - L	2297J4820 2297K4821	394/381 DUPLEX
			

Truckexpert Nr	Description	OEM Nr	Application
346 00 781	Brake Adjusting Actuator	3280S8131	394/381 DUPLEX
			


Truckexpert Nr	Description	OEM Nr	Application
346 00 785	Brake Adjusting Plunger		394/381 DUPLEX
			

Truckexpert Nr	Description	OEM Nr	Application
346 00 788	Brake Adjusting Guide Pawl	A2297U4597	394/381 DUPLEX
			

Truckexpert Nr	Description	OEM Nr	Application																											
346 02 331	Brake Adjusting Repair Kit		360 SIMPLEX																											
																														
			<table border="1"> <tbody> <tr> <td>346 01 892</td> <td>Brake Adjusting Guide Pawl</td> <td>2</td> </tr> <tr> <td>346 02 025</td> <td>Brake Adjusting Plunger</td> <td>2</td> </tr> <tr> <td>346 01 893</td> <td>Brake Adjusting Actuator Upper</td> <td>2</td> </tr> <tr> <td>346 01 894</td> <td>Brake Adjusting Actuator Lower</td> <td>2</td> </tr> <tr> <td>346 01 897</td> <td>Brake Adjusting Bolt</td> <td>2</td> </tr> <tr> <td>346 01 887</td> <td>Brake Adjusting Seal</td> <td>2</td> </tr> <tr> <td>346 01 888</td> <td>Brake Adjusting Washer</td> <td>2</td> </tr> <tr> <td>346 01 889</td> <td>Brake Adjusting Ring</td> <td>2</td> </tr> <tr> <td>346 01 541</td> <td>Grease - 5 g</td> <td>2</td> </tr> </tbody> </table>	346 01 892	Brake Adjusting Guide Pawl	2	346 02 025	Brake Adjusting Plunger	2	346 01 893	Brake Adjusting Actuator Upper	2	346 01 894	Brake Adjusting Actuator Lower	2	346 01 897	Brake Adjusting Bolt	2	346 01 887	Brake Adjusting Seal	2	346 01 888	Brake Adjusting Washer	2	346 01 889	Brake Adjusting Ring	2	346 01 541	Grease - 5 g	2
346 01 892	Brake Adjusting Guide Pawl	2																												
346 02 025	Brake Adjusting Plunger	2																												
346 01 893	Brake Adjusting Actuator Upper	2																												
346 01 894	Brake Adjusting Actuator Lower	2																												
346 01 897	Brake Adjusting Bolt	2																												
346 01 887	Brake Adjusting Seal	2																												
346 01 888	Brake Adjusting Washer	2																												
346 01 889	Brake Adjusting Ring	2																												
346 01 541	Grease - 5 g	2																												



Truckexpert Nr	Description	OEM Nr	Application									
346 00 544	Brake Adjuster Repair Kit	12 999 403	360 SIMPLEX									
												
		<table border="1"> <tbody> <tr> <td>346 01 892</td> <td>Brake Adjusting Guide Pawl</td> <td>2</td> </tr> <tr> <td>346 01 893</td> <td>Brake Adjusting Actuator Upper</td> <td>2</td> </tr> <tr> <td>346 01 894</td> <td>Brake Adjusting Actuator Lower</td> <td>2</td> </tr> </tbody> </table>	346 01 892	Brake Adjusting Guide Pawl	2	346 01 893	Brake Adjusting Actuator Upper	2	346 01 894	Brake Adjusting Actuator Lower	2	
346 01 892	Brake Adjusting Guide Pawl	2										
346 01 893	Brake Adjusting Actuator Upper	2										
346 01 894	Brake Adjusting Actuator Lower	2										

Truckexpert Nr	Description	OEM Nr	Application									
346 02 024	Brake Wedge Repair Kit	12 999 402	360 SIMPLEX									
												
		<table border="1"> <tbody> <tr> <td>346 02 025</td> <td>Brake Adjusting Plunger</td> <td>2</td> </tr> <tr> <td>346 02 026</td> <td>Brake Wedge</td> <td>1</td> </tr> <tr> <td>346 01 541</td> <td>Grease - 5 g</td> <td>2</td> </tr> </tbody> </table>	346 02 025	Brake Adjusting Plunger	2	346 02 026	Brake Wedge	1	346 01 541	Grease - 5 g	2	
346 02 025	Brake Adjusting Plunger	2										
346 02 026	Brake Wedge	1										
346 01 541	Grease - 5 g	2										

Truckexpert Nr	Description	OEM Nr	Application															
346 00 533	Brake Screw & Boot Kit	12 999 418	360 SIMPLEX 410 SIMPLEX															
																		
		<table border="1"> <tbody> <tr> <td>346 01 897</td> <td>Brake Adjusting Bolt</td> <td>2</td> </tr> <tr> <td>346 01 887</td> <td>Brake Adjusting Seal</td> <td>2</td> </tr> <tr> <td>346 01 888</td> <td>Brake Adjusting Washer</td> <td>2</td> </tr> <tr> <td>346 01 889</td> <td>Brake Adjusting Ring</td> <td>2</td> </tr> <tr> <td>346 01 541</td> <td>Grease - 5 g</td> <td>2</td> </tr> </tbody> </table>	346 01 897	Brake Adjusting Bolt	2	346 01 887	Brake Adjusting Seal	2	346 01 888	Brake Adjusting Washer	2	346 01 889	Brake Adjusting Ring	2	346 01 541	Grease - 5 g	2	
346 01 897	Brake Adjusting Bolt	2																
346 01 887	Brake Adjusting Seal	2																
346 01 888	Brake Adjusting Washer	2																
346 01 889	Brake Adjusting Ring	2																
346 01 541	Grease - 5 g	2																



Truckexpert Nr	Description	OEM Nr	Application
346 00 549	Brake Seals Repair Kit	12 999 404	360 SIMPLEX 410 SIMPLEX



346 01 887	Brake Adjusting Seal	2
346 01 888	Brake Adjusting Washer	2
346 01 889	Brake Adjusting Ring	2

Truckexpert Nr	Description	OEM Nr	Application
346 01 886	Brake Holder & Wedge Kit	12 999 410	410 SIMPLEX



346 01 885	Brake Adjusting Plunger	2
346 01 884	Brake Wedge	1
346 01 541	Grease - 5 g	2

Truckexpert Nr	Description	OEM Nr	Application
346 00 534	Brake Adjusting Holder Set	RBSK1407.M	410 SIMPLEX



346 00 787	Brake Adjusting Guide Pawl	1
346 00 779	Brake Adjusting Actuator	1
346 00 784	Brake Adjusting Plunger	1



Truckexpert Nr	Description	OEM Nr	Application
346 02 332	Brake Adjuster Repair Kit	12 999 411	410 SIMPLEX



346 01 892	Brake Adjusting Guide Pawl	2
346 01 885	Brake Adjusting Plunger	2
346 01 893	Brake Adjusting Actuator Upper	2
346 01 894	Brake Adjusting Actuator Lower	2
346 01 897	Brake Adjusting Bolt	2
346 01 887	Brake Adjusting Seal	2
346 01 888	Brake Adjusting Washer	2
346 01 889	Brake Adjusting Ring	2
346 01 541	Grease - 5 g	2

Truckexpert Nr	Description	OEM Nr	Application
346 00 543	Brake Adjusting Repair Kit	RBSK1408.M	410 SIMPLEX




346 00 787	Brake Adjusting Guide Pawl	2
346 00 779	Brake Adjusting Actuator	2
346 00 784	Brake Adjusting Plunger	2
346 00 536	Brake Adjusting Bolt	2
346 01 876	Brake Adjusting Seal	2
346 00 746	Brake Adjusting Return Spring	1
346 02 371	Brake Adjusting Return Spring	1


Truckexpert Nr	Description	OEM Nr	Application
346 02 337	Brake Adjusting Repair Kit		410 SIMPLEX
			
346 00 787	Brake Adjusting Guide Pawl	4	
346 00 779	Brake Adjusting Actuator	4	
346 01 898	Brake Adjusting Bolt	4	
346 01 876	Brake Adjusting Plunger Seal	4	

Truckexpert Nr	Description	OEM Nr	Application
346 01 884	Brake Wedge		410 SIMPLEX
			

Truckexpert Nr	Description	OEM Nr	Application
346 00 545	Brake Wedge Set	RBSK1255.M RBSK1573.M RBSK2051.M	410 SIMPLEX
			
		346 01 882 Brake Wedge	2

Truckexpert Nr	Description	OEM Nr	Application																					
346 00 538	Brake Adjuster Repair Kit	93161560	410 SIMPLEX																					
																								
<table border="1"> <tbody> <tr> <td>346 02 240</td> <td>Caliper Pad Spring</td> <td>1</td> </tr> <tr> <td>346 02 241</td> <td>Caliper Clamping Element</td> <td>1</td> </tr> <tr> <td>346 02 242</td> <td>Buckle</td> <td>1</td> </tr> <tr> <td>346 02 243</td> <td>Caliper Pad Bar</td> <td>1</td> </tr> <tr> <td>346 02 244</td> <td>Adjusting Tool</td> <td>1</td> </tr> <tr> <td>346 02 245</td> <td>Bolt</td> <td>2</td> </tr> <tr> <td>346 02 246</td> <td>Clip</td> <td>2</td> </tr> </tbody> </table>				346 02 240	Caliper Pad Spring	1	346 02 241	Caliper Clamping Element	1	346 02 242	Buckle	1	346 02 243	Caliper Pad Bar	1	346 02 244	Adjusting Tool	1	346 02 245	Bolt	2	346 02 246	Clip	2
346 02 240	Caliper Pad Spring	1																						
346 02 241	Caliper Clamping Element	1																						
346 02 242	Buckle	1																						
346 02 243	Caliper Pad Bar	1																						
346 02 244	Adjusting Tool	1																						
346 02 245	Bolt	2																						
346 02 246	Clip	2																						

Truckexpert Nr	Description	OEM Nr	Application
346 00 551	Adjuster Screw	93161624	410 SIMPLEX
			

Truckexpert Nr	Description	OEM Nr	Application
346 00 787	Guide Pawl Assembly	A2297N6358	410 SIMPLEX
			



Truckexpert Nr	Description	OEM Nr	Application
346 00 547	Brake Adjusting Plunger Seal Kit	93161625 RBSK2030.M	410 SIMPLEX 410 DUPLEX



346 01 876	Brake Adjusting Plunger Seal	4
-------------------	------------------------------	---

Truckexpert Nr	Description	OEM Nr	Application
346 02 338	Brake Adjusting Return Spring Kit	RBSK2128.M	410 DUPLEX



Truckexpert Nr	Description	OEM Nr	Application
346 00 532	Brake Anchor Plunger Set - L	RBSK1600.M RBSK1607.M	410 DUPLEX



346 00 789	Brake Anchor Guide Screw	2
346 00 782	Brake Anchor Plunger - L	2
346 00 550	Brake Anchor Plunger Seal	2

Truckexpert Nr	Description	OEM Nr	Application
346 00 531	Brake Anchor Plunger Set - R	RBSK1599.M RBSK1606.M	410 DUPLEX



346 00 789	Brake Anchor Guide Screw	2
346 01 880	Brake Anchor Plunger - R	2
346 00 550	Brake Anchor Plunger Seal	2

Truckexpert Nr	Description	OEM Nr	Application
346 00 535	Brake Adjusting Plunger Set	42536195	410 DUPLEX



346 01 891	Brake Adjusting Guide Pawl	1
346 00 780	Brake Adjusting Actuator	1
346 00 784	Brake Adjusting Plunger	1

Truckexpert Nr	Description	OEM Nr	Application
346 02 336	Brake Adjusting Repair Kit		410 DUPLEX



346 01 891	Brake Adjusting Guide Pawl	4
346 00 780	Brake Adjusting Actuator	4
346 01 898	Brake Adjusting Bolt	4
346 01 876	Brake Adjusting Plunger Seal	4

Truckexpert Nr	Description	OEM Nr	Application
346 00 950	Brake Adjusting Repair Kit		410 DUPLEX




346 01 891	Brake Adjusting Guide Pawl	2
346 00 780	Brake Adjusting Actuator	2
346 00 784	Brake Adjusting Plunger	2
346 01 898	Brake Adjusting Bolt	2
346 01 876	Brake Adjusting Plunger Seal	2
346 00 747	Brake Adjusting Return Spring	2

Truckexpert Nr	Description	OEM Nr	Application
346 00 747	Brake Adjusting Return Spring		410 DUPLEX
			

Truckexpert Nr	Description	OEM Nr	Application
346 00 746	Brake Adjusting Return Spring		410 DUPLEX
			


Truckexpert Nr	Description	OEM Nr	Application
346 00 550	Brake Anchor Plunger Seal	42537841	410 DUPLEX
			

Truckexpert Nr	Description	OEM Nr	Application
346 00 779	Brake Adjusting Actuator	3280V8368	410 DUPLEX
			

Truckexpert Nr	Description	OEM Nr	Application
346 00 780	Brake Adjusting Actuator	3280T8964	410 DUPLEX
			

Truckexpert Nr	Description	OEM Nr	Application
346 00 782	Brake Anchor Plunger - L	2297H8354 2297J8356	410 DUPLEX
			

Truckexpert Nr	Description	OEM Nr	Application
346 00 784	Brake Adjusting Plunger		410 DUPLEX
			

Truckexpert Nr	Description	OEM Nr	Application
346 00 789	Brake Anchor Guide Screw	A3280K8435	410 DUPLEX
			

Truckexpert Nr	Description	OEM Nr	Application
346 00 552	Hold Down Clip	8121441	410 PERROT



Truckexpert Nr	Description	OEM Nr	Application
346 02 494	Brake Hold-Down Clip	8121441 13304029	360 SIMPLEX 410 SIMPLEX



Truckexpert Nr	Description	OEM Nr	Application
346 00 791	Sensor Plug	1250Y1013	



Truckexpert Nr	Description	OEM Nr	Application
346 00 792	Sensor Plug	1250Z1014	



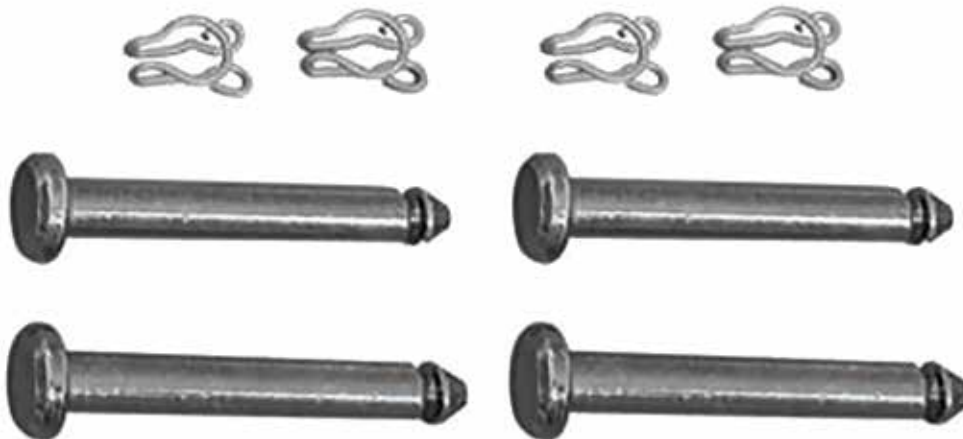
Truckexpert Nr	Description	OEM Nr	Application
346 00 790	Rubber Plug	1250L532	



Truckexpert Nr	Description	OEM Nr	Application
346 00 511	Hydraulic Caliper Tappet Cover Repair Kit	93161928	



Truckexpert Nr	Description	OEM Nr	Application
346 02 247	Brake Pad Retainer Bolt Kit	93161843	



346 02 244	Bolt	4
346 02 245	Clip	4

Truckexpert Nr	Description	OEM Nr	Application
344 55 003	Repair Kit, Brake Adjuster		410 SIMPLEX



The image shows four return springs, four hold-down clips, and four bolts with washers for the repair kit.

346 02 493	Brake Adjusting Return Spring	2
346 02 494	Brake Hold-Down Clip	4
346 02 497	Brake Adjusting Return Spring	2

Truckexpert Nr	Description	OEM Nr	Application
346 01 895	Brake Adjuster Repair Kit	12 999 411	410 SIMPLEX



The image shows two guide pawls, two actuator lowers, and two pins for the repair kit.

346 01 892	Brake Adjusting Guide Pawl	2
346 01 894	Brake Adjusting Actuator Lower	2
346 01 896	Repair Kit, Brake Adjuster	2

Truckexpert Nr	Description	OEM Nr	Application
346 02 487	Brake Adjuster Repair Kit	42536197 42558432	410 DUPLEX



The image shows two return springs, two plungers, two actuators, two seals, two guide pawls, and grease for the repair kit.

346 00 784	Brake Adjusting Plunger	2
346 00 780	Brake Adjusting Actuator	2
346 00 536	Brake Adjusting Bolt	2
346 01 876	Brake Adjusting Plunger Seal	2
346 02 488	Brake Adjusting Return Spring	2
346 01 891	Brake Adjusting Guide Pawl	2
346 01 541	Grease - 5 g	1

Truckexpert Nr	Description	OEM Nr	Application
346 02 489	Brake Adjusting Seal Set	42537884	410 DUPLEX



346 01 876	Brake Adjusting Plunger Seal	4
346 00 550	Brake Anchor Plunger Seal	4

Truckexpert Nr	Description	OEM Nr	Application
346 02 496	Brake Adjuster Mechanism		410 SIMPLEX

346 01 885	Brake Adjusting Plunger	1
346 01 894	Brake Adjusting Actuator Lower	1
346 01 897	Brake Adjusting Bolt	1
346 01 888	Brake Adjusting Washer	1
346 01 889	Brake Adjusting Ring	1
346 01 896	Repair Kit, Barake Adjuster	1
346 01 541	Grease - 5 g	1



Truckexpert Nr	Description	OEM Nr	Application
346 02 513	Brake Adjuster Mechanism	42536197 42558432	410 DUPLEX



346 01 893	Brake Adjusting Actuator Upper	1
346 01 894	Brake Adjusting Actuator Lower	1
346 01 897	Brake Adjusting Bolt	1
346 02 025	Brake Adjusting Plunger	1
346 01 888	Brake Adjusting Washer	1
346 01 889	Brake Adjusting Ring	1
346 01 541	Grease - 5 g	1

Truckexpert Nr	Description	OEM Nr	Application
346 02 495	Brake Adjuster Complete Repair Set		410 SIMPLEX
			
		346 01 884	Brake Wedge 1
		346 02 493	Brake Adjusting Return Spring 1
		346 02 497	Brake Adjusting Return Spring 1
		346 01 892	Brake Adjusting Guide Pawl 2
		346 01 885	Brake Adjusting Plunger 2
		346 01 894	Brake Adjusting Actuator Lower 2
		346 01 897	Brake Adjusting Bolt 2
		346 01 887	Brake Adjusting Seal 2
		346 01 888	Brake Adjusting Washer 2
		346 01 889	Brake Adjusting Ring 2
		346 01 896	Repair Kit, Barake Adjuster 2
		346 01 541	Grease - 5 g 1

Truckexpert Nr	Description	OEM Nr	Application
346 02 504	Brake Adjuster Repair Kit		410 SIMPLEX
			
		346 01 876	Brake Adjusting Plunger Seal 2
		346 01 891	Brake Adjusting Guide Pawl 2
		346 02 499	Brake Adjusting Actuator 2
		346 02 500	Brake Adjusting Plunger 2
		346 02 501	Brake Adjusting Bolt 2
		346 02 502	Brake Adjusting Return Spring 1
		346 02 503	Brake Adjusting Return Spring 1
		346 01 541	Grease - 5 g 1


Truckexpert Nr	Description	OEM Nr	Application
346 02 516	Brake Adjuster Complete Repair Set		360 SIMPLEX
			
		346 01 892	Brake Adjusting Guide Pawl 2
		346 01 893	Bareke Adjusting Actuator Upper 2
		346 01 894	Brake Adjusting Actuator Lower 2
		346 01 897	Brake Adjusting Bolt 2
		346 01 887	Brake Adjusting Seal 2
		346 02 025	Brake Adjusting Plunger 2
		346 01 888	Brake Adjusting Washer 2
		346 01 889	Brake Adjusting Ring 2
		346 01 541	Grease - 5 g 1
		346 02 026	Brake Wedge 1
		346 02 493	Brake Adjusting Return Spring 1
		346 01 899	Spring 1



Truckexpert Nr	Description	OEM Nr	Application
346 02 488	Brake Adjusting Return Spring		410 DUPLEX




Truckexpert Nr	Description	OEM Nr	Application
346 02 492	Brake Adjusting Return Spring Kit		410 DUPLEX



346 02 488	Brake Adjusting Return Spring	4
------------	-------------------------------	---


Truckexpert Nr	Description	OEM Nr	Application
346 02 490	Brake Collet Nut	1227K1337 93163852	410 DUPLEX 410 SIMPLEX



Truckexpert Nr	Description	OEM Nr	Application
346 02 491	Brake Adjusting Return Spring		410 DUPLEX




Truckexpert Nr	Description	OEM Nr	Application
346 02 493	Brake Adjusting Return Spring		360 SIMPLEX 410 SIMPLEX



Truckexpert Nr	Description	OEM Nr	Application
346 01 896	Brake Adjusting Actuator Upper (Ø38x21,50 mm)		410 SIMPLEX




Truckexpert Nr	Description	OEM Nr	Application
346 02 497	Brake Adjusting Return Spring		410 SIMPLEX





Truckexpert Nr	Description	OEM Nr	Application
346 02 498	Brake Adjusting Return Spring Kit		410 SIMPLEX



346 02 493	Brake Adjusting Return Spring	2
346 02 497	Brake Adjusting Return Spring	2


Truckexpert Nr	Description	OEM Nr	Application
346 02 499	Brake Adjusting Actuator		410 SIMPLEX
			


Truckexpert Nr	Description	OEM Nr	Application
346 02 500	Brake Adjusting Plunger		410 SIMPLEX
			


Truckexpert Nr	Description	OEM Nr	Application
346 02 501	Brake Adjusting Bolt		410 SIMPLEX
			

Truckexpert Nr	Description	OEM Nr	Application
346 02 502	Brake Adjusting Return Spring		410 SIMPLEX
			

Truckexpert Nr	Description	OEM Nr	Application
346 02 503	Brake Adjusting Return Spring		410 SIMPLEX
			

Truckexpert Nr	Description	OEM Nr	Application
346 02 505	Brake Anchor Plunger - Angle 5° - L	1259A1015	410 SIMPLEX
			

Truckexpert Nr	Description	OEM Nr	Application
346 02 506	Brake Anchor Plunger - Angle 5° - R	1259Z1014	410 SIMPLEX
			

Truckexpert Nr	Description	OEM Nr	Application
346 02 507	Brake Anchor Plunger - Angle 15° - L		410 SIMPLEX
			


Truckexpert Nr	Description	OEM Nr	Application
346 02 508	Brake Anchor Plunger - Angle 15° - R		410 SIMPLEX
			

Truckexpert Nr	Description	OEM Nr	Application						
346 02 509	Brake Anchor Plunger Kit - L		410 SIMPLEX						
									
<table border="1" style="width: 100%; border-collapse: collapse;"> <tbody> <tr> <td style="width: 15%;">346 02 505</td> <td>Brake Anchor Plunger - Angle 5° - L</td> <td style="text-align: right;">1</td> </tr> <tr> <td>346 02 507</td> <td>Brake Anchor Plunger - Angle 15° - L</td> <td style="text-align: right;">1</td> </tr> </tbody> </table>				346 02 505	Brake Anchor Plunger - Angle 5° - L	1	346 02 507	Brake Anchor Plunger - Angle 15° - L	1
346 02 505	Brake Anchor Plunger - Angle 5° - L	1							
346 02 507	Brake Anchor Plunger - Angle 15° - L	1							


Truckexpert Nr	Description	OEM Nr	Application						
346 02 510	Brake Anchor Plunger Kit - R		410 SIMPLEX						
									
<table border="1" style="width: 100%; border-collapse: collapse;"> <tbody> <tr> <td style="width: 15%;">346 02 506</td> <td>Brake Anchor Plunger - Angle 5° - R</td> <td style="text-align: right;">1</td> </tr> <tr> <td>346 02 508</td> <td>Brake Anchor Plunger - Angle 15° - R</td> <td style="text-align: right;">1</td> </tr> </tbody> </table>				346 02 506	Brake Anchor Plunger - Angle 5° - R	1	346 02 508	Brake Anchor Plunger - Angle 15° - R	1
346 02 506	Brake Anchor Plunger - Angle 5° - R	1							
346 02 508	Brake Anchor Plunger - Angle 15° - R	1							

Truckexpert Nr	Description	OEM Nr	Application
346 02 511	Brake Hold-Down Clip	225781004	410 SIMPLEX
			

Truckexpert Nr	Description	OEM Nr	Application
346 02 512	Brake Adjusting Return Spring Kit	93161627 93162113 RBSK2128.M	410 SIMPLEX
			

Truckexpert Nr	Description	OEM Nr	Application
346 02 514	Brake Adjusting Actuator Upper (Ø36x18,50 mm)		360 SIMPLEX
			

Truckexpert Nr	Description	OEM Nr	Application									
346 02 515	Brake Adjuster Repair Kit	12 999 135 8124815	360 SIMPLEX									
												
<table border="1" style="width: 100%; border-collapse: collapse;"> <tbody> <tr> <td style="width: 15%;">346 01 892</td> <td style="width: 75%;">Brake Adjusting Guide Pawl</td> <td style="width: 10%; text-align: right;">2</td> </tr> <tr> <td>346 01 894</td> <td>Brake Adjusting Actuator Lower</td> <td style="text-align: right;">2</td> </tr> <tr> <td>346 02 514</td> <td>Brake Adjusting Actuator Upper</td> <td style="text-align: right;">2</td> </tr> </tbody> </table>				346 01 892	Brake Adjusting Guide Pawl	2	346 01 894	Brake Adjusting Actuator Lower	2	346 02 514	Brake Adjusting Actuator Upper	2
346 01 892	Brake Adjusting Guide Pawl	2										
346 01 894	Brake Adjusting Actuator Lower	2										
346 02 514	Brake Adjusting Actuator Upper	2										

Truckexpert Nr	Description	OEM Nr	Application
346 01 899	Spring		360 SIMPLEX
			

Truckexpert Nr	Description	OEM Nr	Application						
346 02 517	Brake Adjusting Return Spring Kit		360 SIMPLEX						
 <table border="1" data-bbox="965 689 1422 748"> <tbody> <tr> <td>346 01 899</td> <td>Spring</td> <td>4</td> </tr> <tr> <td>346 02 494</td> <td>Brake Hold-Down Clip</td> <td>4</td> </tr> </tbody> </table>				346 01 899	Spring	4	346 02 494	Brake Hold-Down Clip	4
346 01 899	Spring	4							
346 02 494	Brake Hold-Down Clip	4							