



SPARE
PARTS
FOR TRUCKS
TRAILERS
& BUSES

2018
AIR TANKS



HAVA TANKLARI AIR TANKS

ÜRÜN KATALOĐU

PRODUCT CATALOGUE

HAVA TANKLARI / AIR TANKS

İÇİNDEKİLER / CONTENTS

SAYFAYI ÇIKAR

TruckExpert'e Bakış / About The Truckexpert

6

Çelik Hava Tankları / Steel Air Tanks

10

Çelik Bağlantı Parçalı Hava Tankları / Steel Air Tanks with Mounting Bracket

199

Alüminyum Hava Tankları / Aluminium Air Tanks

230

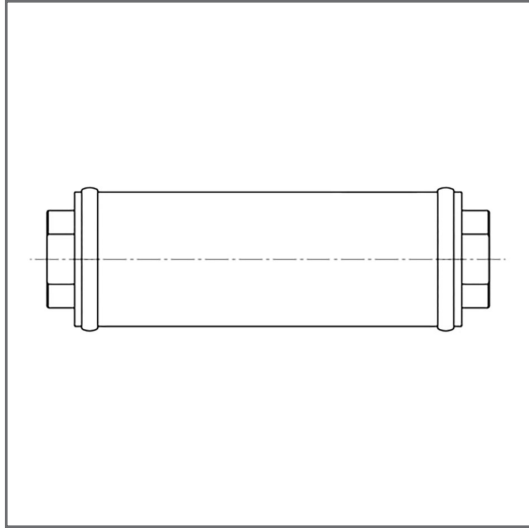
Alüminyum Bağlantı Parçalı Hava Tankları / Aluminium Air Tanks with Mounting Bracket

258

SOYLU / HAVA TANKLARI / AIR TANKS

ÇELİK / STEEL

0 - 20 Litre	11
21 - 40 Litre	97
41 - 60 Litre	174
61 - 80 Litre	189
81 - 100 Litre	195
101 - 120 Litre	197



TRUCKEXPERT NO.

480 66 001

Compressed Air Tank 1

0,2 / 50 x 158 / 12,5 bar

OE NO.	ABRB973

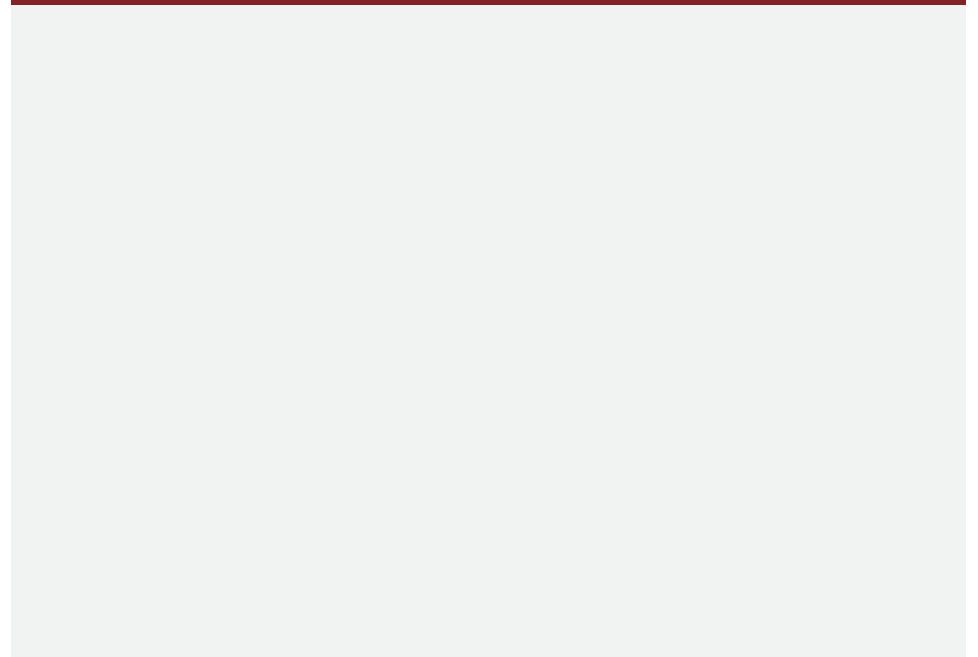
SPECIFICATIONS

Capacity [Litre]	0,2
Diameter [mm]	200
Distance / Ø [mm]	50
Length [mm]	158
Material	Steel
Operating Pressure [bar]	12,5
Threaded Connection	M22x1,5

USE

Compressed air sourcing

MODEL





TRUCKEXPERT NO.

480 00 064

Compressed Air Tank 1

0,6 / 102 x 125 / 20 bar

OE NO.	N/A

SPECIFICATIONS

Capacity [Litre]	0,6
Diameter [mm]	600
Distance / Ø [mm]	102
Length [mm]	125
Material	Steel
Number of Connecting Elements on Each Side	1
Operating Pressure [bar]	20
Threaded Connection	M22x1,5

USE

Compressed air sourcing

MODEL



TRUCKEXPERT NO:

480 00 065

Compressed Air Tank 1

1 / 102 x 170 / 20 bar

OE NO.	N/A

SPECIFICATIONS

Capacity [Litre]	1
Diameter [mm]	120
Length [mm]	170
Material	Steel
Number of Connecting Elements on Each Side	1
Operating Pressure [bar]	20
Threaded Connection	M22x1,5

USE

Compressed air sourcing

MODEL



TRUCKEXPERT NO.

480 22 001

Compressed Air Tank 1

3 / 154 x 224 / 14,5 bar

OE NO.	1887788

SPECIFICATIONS

Capacity [Litre]	3
Diameter [mm]	154
Length [mm]	224
Material	Steel
Number of Connecting Elements on Each Side	1
Operating Pressure [bar]	14,5
Threaded Connection	M22x1,5

USE

Compressed air sourcing

MODEL

Serie P,G,R,T



TRUCKEXPERT NO.

480 66 002

Compressed Air Tank 1

3,8 / 154 x 285 / 12,5 bar

OE NO.	1227894

SPECIFICATIONS

Capacity [Litre]	3,8
Diameter [mm]	154
Length [mm]	285
Material	Steel
Number of Connecting Elements on Each Side	1
Operating Pressure [bar]	12,5
Threaded Connection	M22x1,5

USE

Compressed air sourcing

MODEL

65 CF, 75 CF, 85 CF, 95 XF, 95 XF 530, F 65, F 75, F 85, F 95, FT
95 500, LF 45IV, LF 55, SB 2700, SB 3000, TB 2100



TRUCKEXPERT NO.

480 44 004

Compressed Air Tank 1

4 / 144 x 315 / 15,5 bar

OE NO.	0054320301

SPECIFICATIONS

Capacity [Litre]	4
Diameter [mm]	144
Length [mm]	315
Material	Steel
Number of Connecting Elements on Each Side	1
Operating Pressure [bar]	15,5
Plug Execution	Voss 232
Threaded Connection	M22x1,5

USE

Compressed air sourcing

MODEL

O 814, O 817



TRUCKEXPERT NO.

480 44 003

Compressed Air Tank 1

4 / 144 x 321 / 15,5 bar

OE NO.	0054323001

SPECIFICATIONS

Capacity [Litre]	4
Diameter [mm]	144
Length [mm]	321
Material	Steel
Number of Connecting Elements on Each Side	1
Operating Pressure [bar]	15,5
Plug Execution	Voss 232
Threaded Connection	M22x1,5

USE

Compressed air sourcing

MODEL

Actros, Atego, Atego up to 18 t, Axor, LPN, Tourismo, Vario



TRUCKEXPERT NO.

480 33 002

Compressed Air Tank 1

4 / 154 x 273 / 12,5 bar

OE NO.	81514010194

SPECIFICATIONS

Capacity [Litre]	4
Diameter [mm]	154
Length [mm]	273
Material	Steel
Number of Connecting Elements on Each Side	1
Operating Pressure [bar]	15,5
Plug Execution	Voss 232
Threaded Connection	M22x1,5

USE

Compressed air sourcing

MODEL

E2000, F2000, L2000, Lions City, M2000L, M2000M, TGA, TGL, TGM, TGS, TGX



TRUCKEXPERT NO.

480 44 005

Compressed Air Tank 1

5,4 / 144 x 411,5 / 15,5 bar

OE NO.	0054323101

SPECIFICATIONS

Capacity [Litre]	5,4
Capacity [ml]	5400
Diameter [mm]	144
Length [mm]	411,5
Material	Steel
Number of Connecting Elements on Each Side	1
Operating Pressure [bar]	15,5
Plug Execution	Voss 232
Threaded Connection	M22x1,5

USE

Compressed air sourcing

MODEL

Actros, Atego, Atego up to 18 t, Axor, Eonic



TRUCKEXPERT NO.

480 66 003

Compressed Air Tank 1
5,5 / 154 x 369 / 12,5 bar

OE NO.	1733548

SPECIFICATIONS

Capacity [Litre]	5,5
Diameter [mm]	154
Length [mm]	369
Material	Steel
Number of Connecting Elements on Each Side	1
Operating Pressure [bar]	12,5
Threaded Connection	M22x1,5

USE

Compressed air sourcing

MODEL

CF 75IV, CF 85IV, XF 95, XF 105



TRUCKEXPERT NO.

480 44 006

Compressed Air Tank 1

6 / 144 x 453 / 15,5 bar

OE NO.	0054322001

SPECIFICATIONS

Capacity [Litre]	6
Diameter [mm]	144
Length [mm]	453
Material	Steel
Number of Connecting Elements on Each Side	1
Operating Pressure [bar]	15,5
Plug Execution	Voss 232
Threaded Connection	M22x1,5

USE

Compressed air sourcing

MODEL

Actros, Axor



SOYLU NO.

480 11 001

Compressed Air Tank 1

6 / 164 x 401 / 20 bar

OE NO.	20714525

SPECIFICATIONS

Capacity [Litre]	6
Diameter [mm]	164
Length [mm]	401
Material	Steel
Number of Connecting Elements on Each Side	1
Operating Pressure [bar]	20
Threaded Connection	M22x1,5

USE

Compressed air sourcing

MODEL

B 6R, B 7R, B 9L, B 9R, B 9S, B 9TL, B 12B, B 12M



TRUCKEXPERT NO.

480 22 002

Compressed Air Tank 1

6 / 154 x 395 / 14,5 bar

OE NO.	1377866

SPECIFICATIONS

Capacity [Litre]	6
Diameter [mm]	154
Length [mm]	395
Material	Steel
Number of Connecting Elements on Each Side	1
Operating Pressure [bar]	14,5
Threaded Connection	M22x1,5

USE

Compressed air sourcing

MODEL

Serie 3



TRUCKEXPERT NO.

480 33 003

Compressed Air Tank 1

6 / 206 x 242 / 12,5 bar

OE NO.	81514010197

SPECIFICATIONS

Capacity [Litre]	6
Diameter [mm]	206
Length [mm]	242
Material	Steel
Number of Connecting Elements on Each Side	2
Operating Pressure [bar]	12,5
Plug Execution	Voss 232
Threaded Connection	M22x1,5

USE

Compressed air sourcing

MODEL



TRUCKEXPERT NO.

480 22 003

Compressed Air Tank 1

6 / 206 x 242 / 12,5 bar

OE NO.	1935522

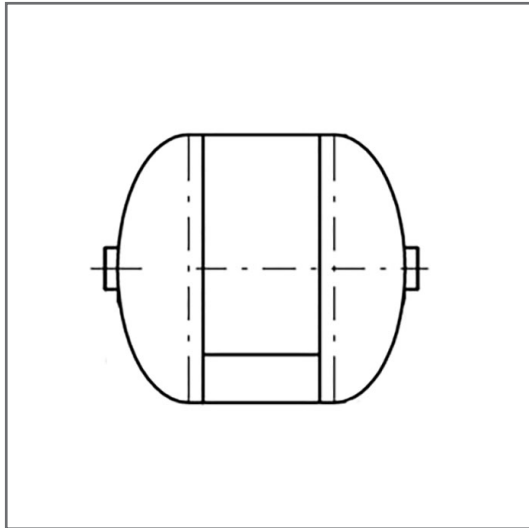
SPECIFICATIONS

Capacity [Litre]	6
Diameter [mm]	206
Distance / Ø [mm]	120
Length [mm]	242
Material	Steel
Number of Connecting Elements on Each Side	2
Operating Pressure [bar]	12,5
Plug Execution	Voss 232
Threaded Connection	M22x1,5

USE

Compressed air sourcing

MODEL



TRUCKEXPERT NO.

480 11 002

Compressed Air Tank 1

6 / 206 x 242 / 15,5 bar

OE NO.	20579593

SPECIFICATIONS

Capacity [Litre]	6
Diameter [mm]	206
Length [mm]	242
Material	Steel
Number of Connecting Elements on Each Side	1
Operating Pressure [bar]	15,5
Plug Execution	Voss 232
Threaded Connection	M22x1,5

USE

Compressed air sourcing

MODEL

B 12B, FH 12, FM, FM 12, NH 12



TRUCKEXPERT NO.

480 66 004

Compressed Air Tank 1

7 / 154 x 461 / 12,5 bar

OE NO.	1733547

SPECIFICATIONS

Capacity [Litre]	7
Diameter [mm]	154
Length [mm]	461
Material	Steel
Number of Connecting Elements on Each Side	1
Operating Pressure [bar]	12,5
Threaded Connection	M22x1,5

USE

Compressed air sourcing

MODEL

CF 75IV, CF 85, CF 85IV, XF 105



TRUCKEXPERT NO.

480 22 004

Compressed Air Tank 1

7,4 / 154 x 486 / 14,5 bar

OE NO.	1360400

SPECIFICATIONS

Capacity [Litre]	7,4
Capacity [ml]	7400
Diameter [mm]	154
Length [mm]	486
Material	Steel
Number of Connecting Elements on Each Side	1
Operating Pressure [bar]	14,5
Threaded Connection	M22x1,5

USE

Compressed air sourcing

MODEL

Bus - Serie 4, Bus - Serie F/K/N, Serie 4



TRUCKEXPERT NO.

480 44 007

Compressed Air Tank 1

7,5 / 246 x 227,5 / 15,5 bar

OE NO.	0054323201

SPECIFICATIONS

Capacity [Litre]	7,5
Capacity [ml]	7500
Diameter [mm]	246
Distance / Ø [mm]	120
Length [mm]	227,5
Material	Steel
Number of Connecting Elements on Each Side	3
Operating Pressure [bar]	15,5
Plug Execution	Voss 232
Threaded Connection	M22x1,5

USE

Compressed air sourcing

MODEL

Actros, Atego, Atego up to 18 t, Axor, Eonic



TRUCKEXPERT NO.

480 33 004

Compressed Air Tank 1

8 / 206 x 294 / 12,5 bar

OE NO.	81514016024

SPECIFICATIONS

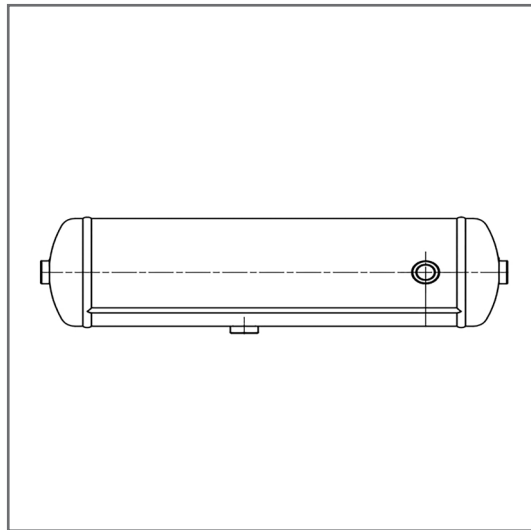
Capacity [Litre]	8
Diameter [mm]	206
Distance / Ø [mm]	120
Length [mm]	294
Material	Steel
Number of Connecting Elements on Each Side	3
Operating Pressure [bar]	12,5
Plug Execution	Voss 232
Threaded Connection	M22x1,5

USE

Compressed air sourcing

MODEL

TGA, TGL, TGM, TGS, TGX



TRUCKEXPERT NO.

480 77 001

Compressed Air Tank 1

8 / 150 x 539 / 13 bar

OE NO.	5010525415

SPECIFICATIONS

Capacity [Litre]	8
Diameter [mm]	150
Length [mm]	539
Material	Steel
Number of Connecting Elements on Each Side	1
Operating Pressure [bar]	13
Threaded Connection	M22x1,5

USE

Compressed air sourcing

MODEL

--



TRUCKEXPERT NO.

480 33 005

Compressed Air Tank 1

8 / 206 x 294 / 12,5 bar

OE NO.	81514016016

SPECIFICATIONS

Capacity [Litre]	8
Diameter [mm]	206
Length [mm]	294
Material	Steel
Number of Connecting Elements on Each Side	1
Operating Pressure [bar]	12,5
Plug Execution	Voss 232
Threaded Connection	M22x1,5

USE

Compressed air sourcing

MODEL

TGA, TGL, TGM, TGS, TGX



TRUCKEXPERT NO.

480 66 005

Compressed Air Tank 1

10 / 206 x 348 / 15,5 bar

OE NO.	ABRA621

SPECIFICATIONS

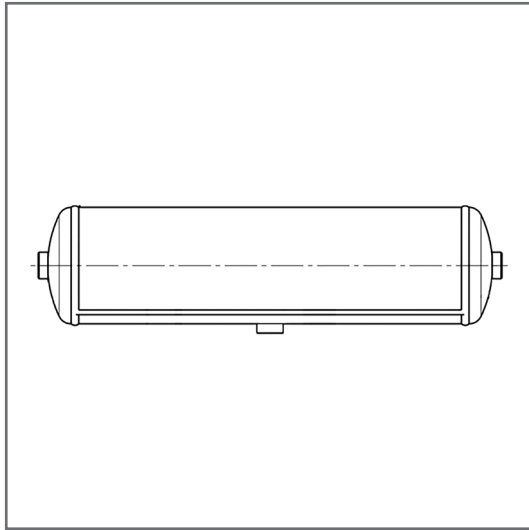
Capacity [Litre]	10
Diameter [mm]	206
Distance / Ø [mm]	120
Length [mm]	348
Material	Steel
Number of Connecting Elements on Each Side	2
Operating Pressure [bar]	15,5
Threaded Connection	M22x1,5

USE

Compressed air sourcing

MODEL

CF 65, CF 65II, CF 65IV, LF 45, LF 45IV, LF 55, LF 55IV



TRUCKEXPERT NO.

480 00 066

Compressed Air Tank 1

10 / 154 x 615 / 19 bar

OE NO.	N/A

SPECIFICATIONS

Capacity [Litre]	10
Diameter [mm]	154
Length [mm]	615
Material	Steel
Number of Connecting Elements on Each Side	1
Operating Pressure [bar]	19
Threaded Connection	M22x1,5

USE

Compressed air sourcing

MODEL



TRUCKEXPERT NO.

480 00 067

Compressed Air Tank 1

10 / 206 x 368 / 15,5 bar

OE NO.	1579200

SPECIFICATIONS

Capacity [Litre]	10
Diameter [mm]	206
Distance / Ø [mm]	120
Length [mm]	368
Material	Steel
Number of Connecting Elements on Each Side	2
Operating Pressure [bar]	15,5
Threaded Connection	M22x1,5

USE

Compressed air sourcing

MODEL

Universal



TRUCKEXPERT NO.

480 44 009

Compressed Air Tank 1

10 / 206 x 364 / 19 bar

OE NO.	0074322001

SPECIFICATIONS

Capacity [Litre]	10
Diameter [mm]	206
Distance / Ø [mm]	120
Length [mm]	364
Material	Steel
Number of Connecting Elements on Each Side	3
Operating Pressure [bar]	19
Plug Execution	Voss 232
Threaded Connection	M22x1,5

USE

Compressed air sourcing

MODEL



TRUCKEXPERT NO.

480 44 010

Compressed Air Tank 1

10 / 206 x 365 / 15,5 bar

OE NO.	6684320601

SPECIFICATIONS

Capacity [Litre]	10
Diameter [mm]	206
Distance / Ø [mm]	120
Length [mm]	365
Material	Steel
Number of Connecting Elements on Each Side	2
Operating Pressure [bar]	15,5
Plug Execution	Voss 232
Threaded Connection	M22x1,5

USE

Compressed air sourcing

MODEL

Vario



TRUCKEXPERT NO.

480 55 001

Compressed Air Tank 1

10 / 206 x 366 / 15,5 bar

OE NO.	5949779741

SPECIFICATIONS

Capacity [Litre]	10
Diameter [mm]	206
Distance / Ø [mm]	120
Length [mm]	366
Material	Steel
Number of Connecting Elements on Each Side	2
Operating Pressure [bar]	15,5
Plug Execution	Voss 232
Threaded Connection	M22x1,5

USE

Compressed air sourcing

MODEL



TRUCKEXPERT NO.

480 33 006

Compressed Air Tank 1
10 / 206 x 362 / 12,5 bar

OE NO.	81514010124

SPECIFICATIONS

Capacity [Litre]	10
Diameter [mm]	206
Distance / Ø [mm]	120
Length [mm]	362
Material	Steel
Number of Connecting Elements on Each Side	2
Operating Pressure [bar]	12,5
Plug Execution	Voss 232
Threaded Connection	M22x1,5

USE

Compressed air sourcing

MODEL

Cityliner, G90, L2000, Lions City, Lions Coach, Lions Regio, Lions Star, RH, Skyliner, Starliner, Tourliner, Trendliner



TRUCKEXPERT NO.

480 00 068

Compressed Air Tank 1
10 / 206 x 355 / 15,5 bar

OE NO.	N/A

SPECIFICATIONS

Capacity [Litre]	10
Diameter [mm]	206
Distance / Ø [mm]	120
Length [mm]	355
Material	Steel
Number of Connecting Elements on Each Side	2
Operating Pressure [bar]	15,5
Plug Execution	Voss 232
Threaded Connection	M22x1,5

USE

Compressed air sourcing

MODEL



TRUCKEXPERT NO.

480 44 011

Compressed Air Tank 1

10 / 206 x 366,5 / 15,5 bar

OE NO.	0054323301

SPECIFICATIONS

Capacity [Litre]	10
Diameter [mm]	206
Distance / Ø [mm]	120
Length [mm]	366,5
Material	Steel
Number of Connecting Elements on Each Side	3
Operating Pressure [bar]	15,5
Plug Execution	Voss 232
Threaded Connection	M22x1,5

USE

Compressed air sourcing

MODEL

Actros, Actros MP4, Antos, Arocs, Atego, Atego up to 18 t, Axor



TRUCKEXPERT NO.

480 44 012

Compressed Air Tank 1

10 / 206 x 371 / 15,5 bar

OE NO.	0034320801

SPECIFICATIONS

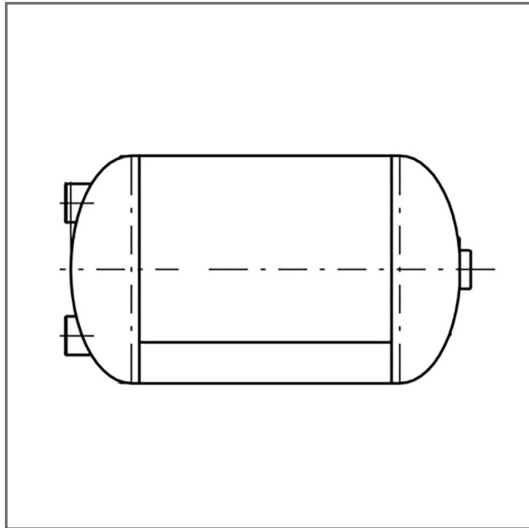
Capacity [Litre]	10
Diameter [mm]	206
Distance / Ø [mm]	120
Length [mm]	371
Material	Steel
Number of Connecting Elements on Each Side	2
Operating Pressure [bar]	15,5
Plug Execution	Voss 232 / 230
Threaded Connection	M22x1,5

USE

Compressed air sourcing

MODEL

Atego, O 302, O 303, O 304, O 330, O 340, O 500, OH 3736, Vario



TRUCKEXPERT NO.

480 11 003

Compressed Air Tank 1

10 / 206 x 366 / 15 bar

OE NO.	21018310

SPECIFICATIONS

Capacity [Litre]	10
Diameter [mm]	206
Distance / Ø [mm]	120
Length [mm]	366
Material	Steel
Number of Connecting Elements on Each Side	2
Operating Pressure [bar]	15
Threaded Connection	M22x1,5

USE

Compressed air sourcing

MODEL

FH



TRUCKEXPERT NO.

480 44 013

Compressed Air Tank 1

10 / 206 x 335 / 15,5 bar

OE NO.	0034323101

SPECIFICATIONS

Capacity [Litre]	10
Diameter [mm]	206
Distance / Ø [mm]	120
Length [mm]	335
Material	Steel
Number of Connecting Elements on Each Side	2
Operating Pressure [bar]	15,5
Plug Execution	Voss 232 / 230
Threaded Connection	M22x1,5

USE

Compressed air sourcing

MODEL

712 E, Accelo, ATRON, L 1620, L 1624, LO 915, O 302, O 303, O 304, O 330, O 340, O 370, O 371, O 373, O 404, O 405, O 407, O 408, T2



TRUCKEXPERT NO.

480 33 007

Compressed Air Tank 1

10 / 206 x 335 / 15,5 bar

OE NO.	81514010144

SPECIFICATIONS

Capacity [Litre]	10
Diameter [mm]	206
Distance / Ø [mm]	120
Length [mm]	335
Material	Steel
Number of Connecting Elements on Each Side	2
Operating Pressure [bar]	15,5
Threaded Connection	M22x1,5

USE

Compressed air sourcing

MODEL

G90



TRUCKEXPERT NO.

480 55 002

Compressed Air Tank 1

10 / 206 x 368 / 15,5 bar

OE NO.	99441880

SPECIFICATIONS

Capacity [Litre]	10
Diameter [mm]	206
Distance / Ø [mm]	120
Length [mm]	368
Material	Steel
Number of Connecting Elements on Each Side	2
Operating Pressure [bar]	15,5
Threaded Connection	M22x1,5

USE

Compressed air sourcing

MODEL



TRUCKEXPERT NO.

480 44 014

Compressed Air Tank 1
10 / 246 x 277 / 15,5 bar

OE NO.	0064328001

SPECIFICATIONS

Capacity [Litre]	10
Diameter [mm]	246
Distance / Ø [mm]	120
Length [mm]	277
Material	Steel
Number of Connecting Elements on Each Side	3
Operating Pressure [bar]	15,5
Plug Execution	Voss 232
Threaded Connection	M22x1,5

USE

Compressed air sourcing

MODEL

Actros, Arocs, Atego, Axor, O 405, O 407, O 408



TRUCKEXPERT NO.

480 44 015

Compressed Air Tank 1

10 / 246 x 277 / 15,5 bar

OE NO.	0054324001

SPECIFICATIONS

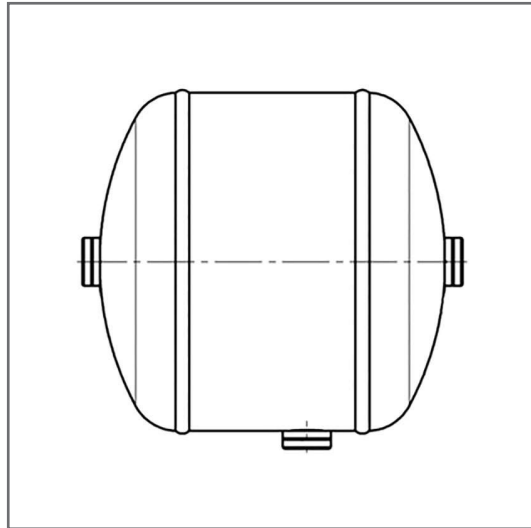
Capacity [Litre]	10
Diameter [mm]	246
Distance / Ø [mm]	120
Length [mm]	277
Material	Steel
Number of Connecting Elements on Each Side	3
Operating Pressure [bar]	15,5
Plug Execution	Voss 232
Threaded Connection	M22x1,5

USE

Compressed air sourcing

MODEL

Actros, Actros MP4, Antos, Arocs, Atego, Atego up to 18 t, Axor



TRUCKEXPERT NO.

480 33 008

Compressed Air Tank 1

10 / 246 x 274 / 12,5 bar

OE NO.	81514010125

SPECIFICATIONS

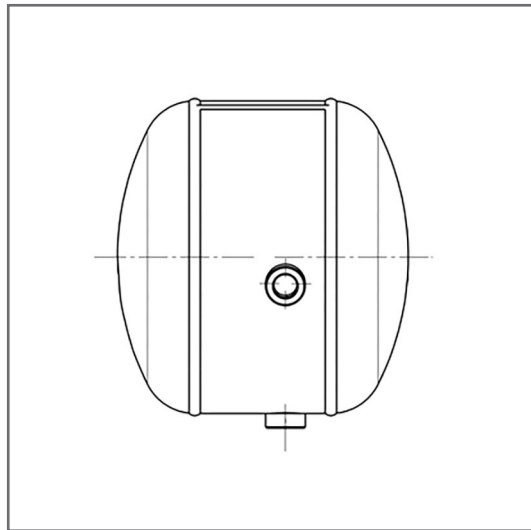
Capacity [Litre]	10
Diameter [mm]	246
Length [mm]	274
Material	Steel
Number of Connecting Elements on Each Side	1
Operating Pressure [bar]	12,5
Plug Execution	Voss 232
Threaded Connection	M22x1,5

USE

Compressed air sourcing

MODEL

--



TRUCKEXPERT NO.

480 22 005

Compressed Air Tank 1

12 / 276 x 256 / 14,5 bar

OE NO.	1871147

SPECIFICATIONS

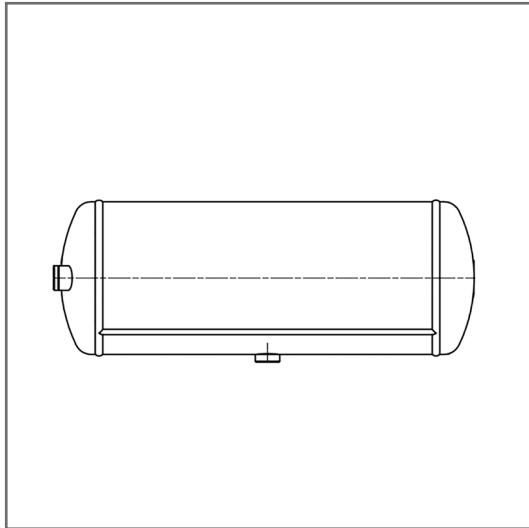
Capacity [Litre]	12
Diameter [mm]	276
Length [mm]	256
Material	Steel
Number of Connecting Elements on Each Side	
Operating Pressure [bar]	14,5
Threaded Connection	M22x1,5

USE

Compressed air sourcing

MODEL

Serie P,G,R,T



TRUCKEXPERT NO.

480 77 002

Compressed Air Tank 1

15 / 200 x 550 / 13 bar

OE NO.	5010525441

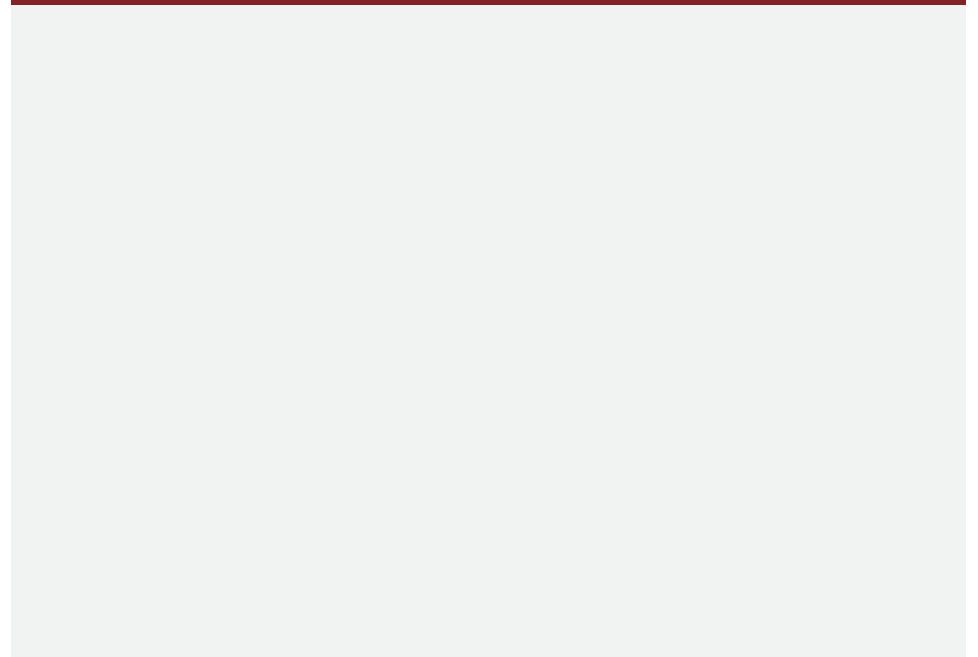
SPECIFICATIONS

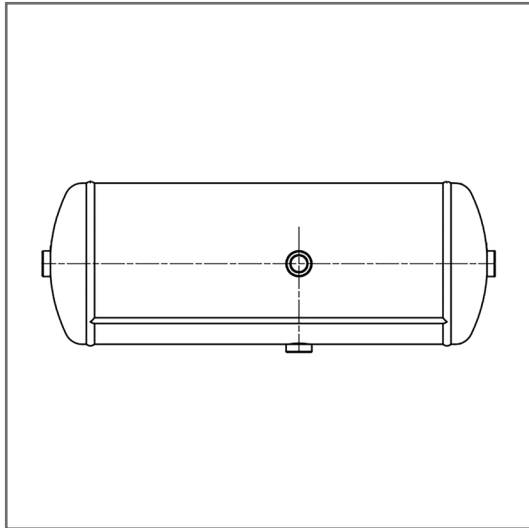
Capacity [Litre]	15
Diameter [mm]	200
Distance / Ø [mm]	120
Length [mm]	550
Material	Steel
Number of Connecting Elements on Each Side	3
Operating Pressure [bar]	13
Threaded Connection	M22x1,5

USE

Compressed air sourcing

MODEL





TRUCKEXPERT NO.

480 77 003

Compressed Air Tank 1

15 / 200 x 561 / 13 bar

OE NO.	5011525437

SPECIFICATIONS

Capacity [Litre]	15
Diameter [mm]	200
Length [mm]	561
Material	Steel
Number of Connecting Elements on Each Side	1
Operating Pressure [bar]	13
Threaded Connection	M22x1,5

USE

Compressed air sourcing

MODEL

--



TRUCKEXPERT NO.

480 66 006

Compressed Air Tank 1
15 / 246 x 380 / 15,5 bar

OE NO.	1524737

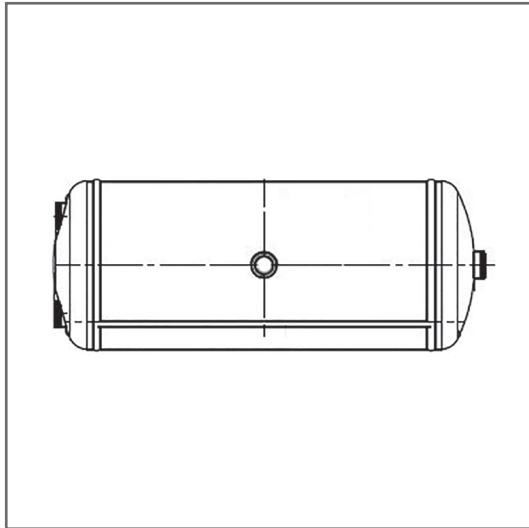
SPECIFICATIONS

Capacity [Litre]	15
Diameter [mm]	246
Distance / Ø [mm]	120
Length [mm]	380
Material	Steel
Number of Connecting Elements on Each Side	2
Operating Pressure [bar]	15,5
Threaded Connection	M22x1,5

USE

Compressed air sourcing

MODEL



TRUCKEXPERT NO.

480 55 002

Compressed Air Tank 1

15 / 206 x 526 / 12,5 bar

OE NO.	N/A

SPECIFICATIONS

Capacity [Litre]	15
Diameter [mm]	206
Distance / Ø [mm]	120
Length [mm]	526
Material	Steel
Number of Connecting Elements on Each Side	2
Operating Pressure [bar]	12,5
Threaded Connection	M22x1,5

USE

Compressed air sourcing

MODEL



TRUCKEXPERT NO.

480 22 006

Compressed Air Tank 1
15 / 206 x 513 / 14,5 bar

OE NO.	1792544

SPECIFICATIONS

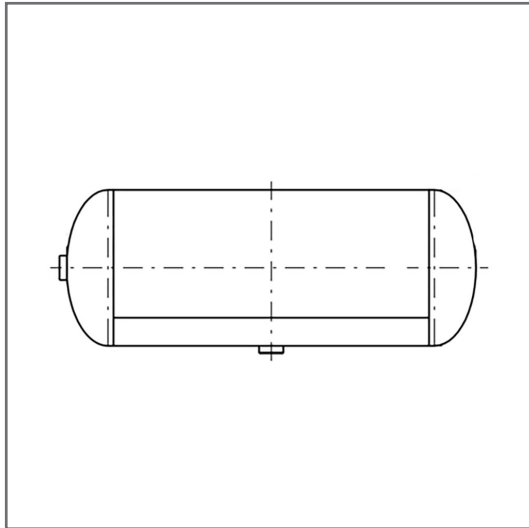
Capacity [Litre]	15
Diameter [mm]	206
Length [mm]	513
Material	Steel
Number of Connecting Elements on Each Side	1
Operating Pressure [bar]	14,5
Threaded Connection	M22x1,5

USE

Compressed air sourcing

MODEL

Serie 4, Serie P,G,R,T



TRUCKEXPERT NO.

480 00 069

Compressed Air Tank 1

15 / 206 x 550 / 15 bar

OE NO.	20904405

SPECIFICATIONS

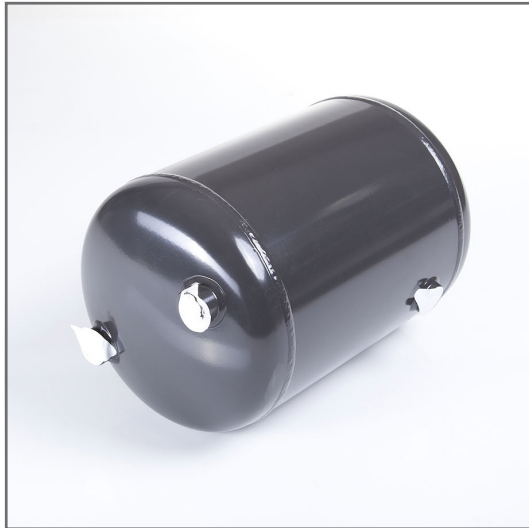
Capacity [Litre]	15
Diameter [mm]	206
Distance / Ø [mm]	120
Length [mm]	550
Material	Steel
Number of Connecting Elements on Each Side	3
Operating Pressure [bar]	15
Threaded Connection	M22x1,5

USE

Compressed air sourcing

MODEL

FL



TRUCKEXPERT NO.

480 11 004

Compressed Air Tank 1

15 / 246 x 399 / 15 bar

OE NO.	20772295

SPECIFICATIONS

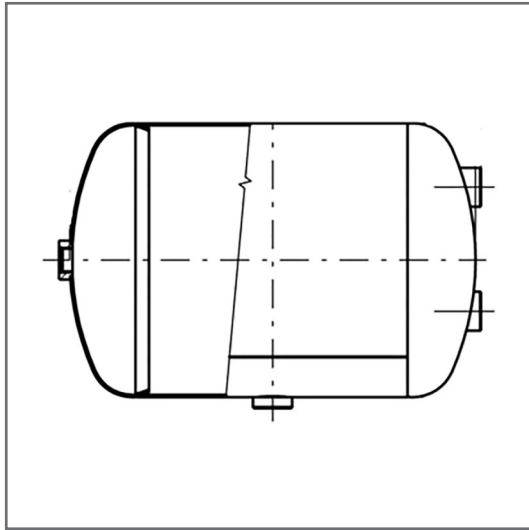
Capacity [Litre]	15
Diameter [mm]	246
Distance / Ø [mm]	160
Length [mm]	399
Material	Steel
Number of Connecting Elements on Each Side	2
Operating Pressure [bar]	15
Threaded Connection	M22x1,5

USE

Compressed air sourcing

MODEL

FH, FM



TRUCKEXPERT NO.

480 11 005

Compressed Air Tank 1

15 / 246 x 379 / 15 bar

OE NO.	21048245

SPECIFICATIONS

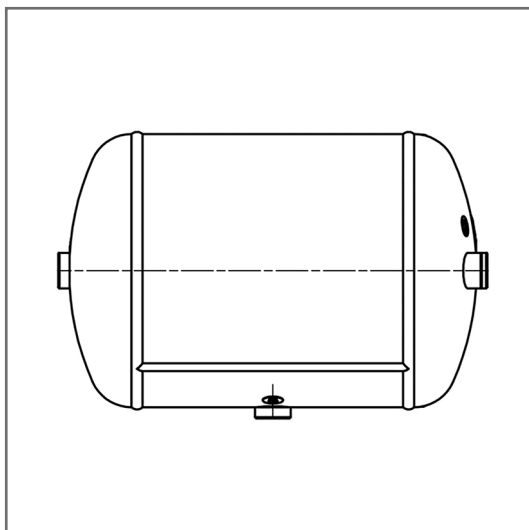
Capacity [Litre]	15
Diameter [mm]	246
Length [mm]	379
Material	Steel
Number of Connecting Elements on Each Side	2
Operating Pressure [bar]	15
Pitch Circle Ø [mm]	160
Threaded Connection	M22x1,5

USE

Compressed air sourcing

MODEL

FH, FM



TRUCKEXPERT NO.

480 11 006

Compressed Air Tank 1

15 / 246 x 385 / 15 bar

OE NO.	21187782

SPECIFICATIONS

Capacity [Litre]	15
Diameter [mm]	246
Distance / Ø [mm]	120
Length [mm]	385
Material	Steel
Number of Connecting Elements on Each Side	3
Operating Pressure [bar]	15
Threaded Connection	M22x1,5

USE

Compressed air sourcing

MODEL

FH



TRUCKEXPERT NO.

480 22 007

Compressed Air Tank 1
15 / 206 x 526 / 14,5 bar

OE NO.	1360401

SPECIFICATIONS

Capacity [Litre]	15
Diameter [mm]	206
Length [mm]	526
Material	Steel
Number of Connecting Elements on Each Side	1
Operating Pressure [bar]	14,5
Threaded Connection	M22x1,5

USE

Compressed air sourcing

MODEL

Bus - Serie 4, Bus - Serie F/K/N, Serie 4, Serie P,G,R,T



TRUCKEXPERT NO.

480 55 004

Compressed Air Tank 1

15 / 206 x 520 / 15,5 bar

OE NO.	42015440

SPECIFICATIONS

Capacity [Litre]	15
Diameter [mm]	206
Distance / Ø [mm]	120
Length [mm]	520
Material	Steel
Number of Connecting Elements on Each Side	2
Operating Pressure [bar]	15,5

USE

Compressed air sourcing

MODEL



TRUCKEXPERT NO.

480 55 005

Compressed Air Tank 1

15 / 206 x 526 / 15,5 bar

OE NO.	5949780684

SPECIFICATIONS

Capacity [Litre]	15
Diameter [mm]	206
Distance / Ø [mm]	120
Length [mm]	526
Material	Steel
Number of Connecting Elements on Each Side	2
Operating Pressure [bar]	15,5
Threaded Connection	M22x1,5

USE

Compressed air sourcing

MODEL



TRUCKEXPERT NO.

480 11 007

Compressed Air Tank 1

15 / 206 x 515 / 15 bar

OE NO.	20579600

SPECIFICATIONS

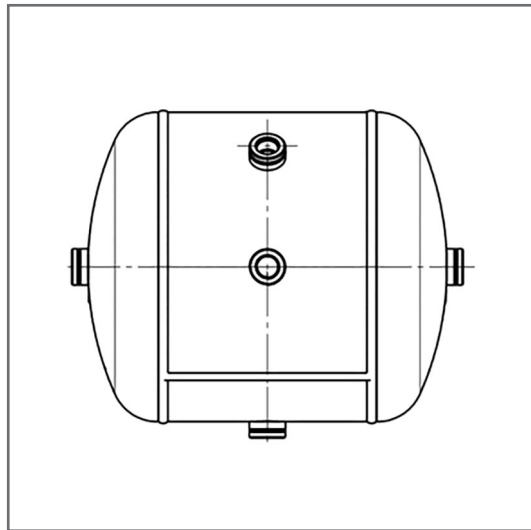
Capacity [Litre]	15
Diameter [mm]	206
Distance / Ø [mm]	120
Length [mm]	515
Material	Steel
Number of Connecting Elements on Each Side	2
Operating Pressure [bar]	15
Threaded Connection	M22x1,5

USE

Compressed air sourcing

MODEL

B 9S, B 9TL, B 12B, B 12M, FH, FH 12, FH 16, FM, FM 9, FM 12



TRUCKEXPERT NO.

480 66 007

Compressed Air Tank 1
20 / 300 x 379 / 12,5 bar

OE NO.	1736199

SPECIFICATIONS

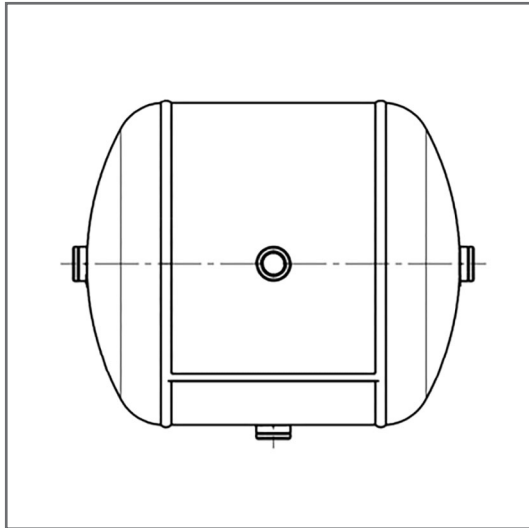
Capacity [Litre]	20
Diameter [mm]	300
Length [mm]	379
Material	Steel
Number of Connecting Elements on Each Side	1
Operating Pressure [bar]	12,5
Threaded Connection	M22x1,5

USE

Compressed air sourcing

MODEL

CF 85IV, XF 105



TRUCKEXPERT NO.

480 66 008

Compressed Air Tank 1
20 / 300 x 373 / 12,5 bar

OE NO.	1616331

SPECIFICATIONS

Capacity [Litre]	20
Diameter [mm]	300
Length [mm]	373
Material	Steel
Number of Connecting Elements on Each Side	1
Operating Pressure [bar]	12,5
Threaded Connection	M22x1,5

USE

Compressed air sourcing

MODEL

95 XF, CF 75, CF 75IV, CF 85, CF 85IV, XF 95, XF 105, YTZ 95



TRUCKEXPERT NO.

480 66 009

Compressed Air Tank 1
20 / 300 x 379 / 12,5 bar

OE NO.	1699455

SPECIFICATIONS

Capacity [Litre]	20
Diameter [mm]	300
Length [mm]	379
Material	Steel
Number of Connecting Elements on Each Side	1
Operating Pressure [bar]	12,5
Threaded Connection	M22x1,5

USE

Compressed air sourcing

MODEL

CF 75IV, CF 85, CF 85IV, XF 95, XF 105
--



TRUCKEXPERT NO.

480 33 009Compressed Air Tank 1
20 / 310 x 324 / 12,5 bar

OE NO.	81514010238

SPECIFICATIONS

Capacity [Litre]	20
Diameter [mm]	310
Distance / Ø [mm]	120
Length [mm]	324
Material	Steel
Number of Connecting Elements on Each Side	3
Operating Pressure [bar]	12,5
Plug Execution	Voss 232
Threaded Connection	M22x1,5

USE

Compressed air sourcing

MODEL

Bus, TGA, TGL, TGS, TGX



TRUCKEXPERT NO.

480 33 010

Compressed Air Tank 1
20 / 310 x 324 / 12,5 bar

OE NO.	81514016031

SPECIFICATIONS

Capacity [Litre]	20
Diameter [mm]	310
Distance / Ø [mm]	120
Length [mm]	324
Material	Steel
Number of Connecting Elements on Each Side	1
Operating Pressure [bar]	12,5
Plug Execution	Voss 232
Threaded Connection	M22x1,5

USE

Compressed air sourcing

MODEL

TGA, TGL, TGS, TGX



TRUCKEXPERT NO.

480 44 016

Compressed Air Tank 1

20 / 206 x 691 / 15,5 bar

OE NO.	0064329801

SPECIFICATIONS

Capacity [Litre]	20
Diameter [mm]	206
Distance / Ø [mm]	120
Length [mm]	691
Material	Steel
Number of Connecting Elements on Each Side	2
Operating Pressure [bar]	15,5
Threaded Connection	M22x1,5

USE

Compressed air sourcing

MODEL

Conecto, NG, O 403, O 405, Touro



TRUCKEXPERT NO.

480 00 070

Compressed Air Tank 1
20 / 206 x 691 / 15,5 bar

OE NO.	1505414

SPECIFICATIONS

Capacity [Litre]	20
Diameter [mm]	206
Distance / Ø [mm]	120
Length [mm]	691
Material	Steel
Number of Connecting Elements on Each Side	2
Operating Pressure [bar]	15,5
Threaded Connection	M22x1,5

USE

Compressed air sourcing

MODEL

Universal



TRUCKEXPERT NO.

480 55 006

Compressed Air Tank 1

20 / 206 x 685 / 15,5 bar

OE NO.	5949780685

SPECIFICATIONS

Capacity [Litre]	20
Diameter [mm]	206
Distance / Ø [mm]	120
Length [mm]	685
Material	Steel
Number of Connecting Elements on Each Side	2
Operating Pressure [bar]	15,5
Threaded Connection	M22x1,5

USE

Compressed air sourcing

MODEL



TRUCKEXPERT NO.

480 44 017

Compressed Air Tank 1

20 / 246 x 493 / 15,5 bar

OE NO.	0004324301

SPECIFICATIONS

Capacity [Litre]	20
Diameter [mm]	246
Distance / Ø [mm]	120
Length [mm]	493
Material	Steel
Number of Connecting Elements on Each Side	2
Operating Pressure [bar]	15,5
Threaded Connection	M22x1,5

USE

Compressed air sourcing

MODEL

NG, O 302, O 303, O 304, O 330, O 340, O 370, O 371, O 373, O

374, O 400, O 404, O 405, O 407, O 408



TRUCKEXPERT NO.

480 44 018

Compressed Air Tank 1
20 / 278 x 390 / 12,5 bar

OE NO.	0034321401

SPECIFICATIONS

Capacity [Litre]	20
Diameter [mm]	278
Distance / Ø [mm]	120
Length [mm]	390
Material	Steel
Number of Connecting Elements on Each Side	2
Operating Pressure [bar]	12,5
Threaded Connection	M22x1,5

USE

Compressed air sourcing

MODEL

Actros, Atego up to 18 t, Axor, O 309, O 814, O 817



TRUCKEXPERT NO.

480 44 019

Compressed Air Tank 1

20 / 276 x 411,5 / 15,5 bar

OE NO.	0054323601

SPECIFICATIONS

Capacity [Litre]	20
Diameter [mm]	276
Distance / Ø [mm]	120
Length [mm]	411,5
Material	Steel
Number of Connecting Elements on Each Side	3
Operating Pressure [bar]	15,5
Plug Execution	Voss 232
Threaded Connection	M22x1,5

USE

Compressed air sourcing

MODEL

Actros, Actros MP4, Antos, Arocs, Atego, Atego up to 18 t, Axor,

Econic



TRUCKEXPERT NO.

480 44 020

Compressed Air Tank 1

20 / 276 x 411,5 / 15,5 bar

OE NO.	0054322101

SPECIFICATIONS

Capacity [Litre]	20
Diameter [mm]	276
Distance / Ø [mm]	120
Length [mm]	411,5
Material	Steel
Number of Connecting Elements on Each Side	3
Operating Pressure [bar]	15,5
Plug Execution	Voss 232
Threaded Connection	M22x1,5

USE

Compressed air sourcing

MODEL

Actros, Actros MP4, Antos, Arocs, Atego, Atego up to 18 t, Axor,

Econic, O 814, O 817



TRUCKEXPERT NO.

480 22 008

Compressed Air Tank 1
20 / 276 x 431 / 14,5 bar

OE NO.	1448883

SPECIFICATIONS

Capacity [Litre]	20
Diameter [mm]	276
Distance / Ø [mm]	120
Length [mm]	431
Material	Steel
Number of Connecting Elements on Each Side	2
Operating Pressure [bar]	14,5
Threaded Connection	M22x1,5

USE

Compressed air sourcing

MODEL

Serie P,G,R,T



TRUCKEXPERT NO.

480 44 021

Compressed Air Tank 1

20 / 276 x 431 / 15,5 bar

OE NO.	0074321601

SPECIFICATIONS

Capacity [Litre]	20
Diameter [mm]	276
Distance / Ø [mm]	75
Length [mm]	431
Material	Steel
Number of Connecting Elements on Each Side	2
Operating Pressure [bar]	15,5
Plug Execution	Voss 232 / 230
Threaded Connection	M22x1,5

USE

Compressed air sourcing

MODEL

Serie P,G,R,T



TRUCKEXPERT NO.

480 77 004

Compressed Air Tank 1

20 / 276 x 414 / 15,5 bar

OE NO.	5021170381

SPECIFICATIONS

Capacity [Litre]	20
Diameter [mm]	276
Distance / Ø [mm]	120
Length [mm]	414
Material	Steel
Number of Connecting Elements on Each Side	2
Operating Pressure [bar]	15,5
Plug Execution	Voss 232 / 230
Threaded Connection	M22x1,5

USE

Compressed air sourcing

MODEL



TRUCKEXPERT NO.

480 55 007

Compressed Air Tank 1

20 / 246 x 498,5 / 15,5 bar

OE NO.	5949779743

SPECIFICATIONS

Capacity [Litre]	20
Diameter [mm]	246
Distance / Ø [mm]	120
Length [mm]	498,5
Material	Steel
Number of Connecting Elements on Each Side	2
Operating Pressure [bar]	15,5
Threaded Connection	M22x1,5

USE

Compressed air sourcing

MODEL



TRUCKEXPERT NO.

480 33 011

Compressed Air Tank 1

20 / 246 x 495 / 15,5 bar

OE NO.	81514010139

SPECIFICATIONS

Capacity [Litre]	20
Diameter [mm]	246
Distance / Ø [mm]	120
Length [mm]	495
Material	Steel
Number of Connecting Elements on Each Side	2
Operating Pressure [bar]	15,5
Threaded Connection	M22x1,5

USE

Compressed air sourcing

MODEL

E90, F90, G90, NL, SG, SR, SUE



TRUCKEXPERT NO.

480 44 022

Compressed Air Tank 1

20 / 246 x 496,5 / 15,5 bar

OE NO.	0054323401

SPECIFICATIONS

Capacity [Litre]	20
Diameter [mm]	246
Distance / Ø [mm]	120
Length [mm]	496,5
Material	Steel
Number of Connecting Elements on Each Side	3
Operating Pressure [bar]	15,5
Plug Execution	Voss 232
Threaded Connection	M22x1,5

USE

Compressed air sourcing

MODEL

Actros, Actros MP4, Antos, Arocs, Atego, Atego up to 18 t, Axor,
 ComfortClass 400, Integro, Intouro, MultiClass 400, S 412, S
 415, S 416, Turismo



TRUCKEXPERT NO.

480 44 023

Compressed Air Tank 1

20 / 246 x 500 / 12,5 bar

OE NO.	0034321201

SPECIFICATIONS

Capacity [Litre]	20
Diameter [mm]	246
Distance / Ø [mm]	120
Length [mm]	500
Material	Steel
Number of Connecting Elements on Each Side	2
Operating Pressure [bar]	12,5
Threaded Connection	M22x1,5

USE

Compressed air sourcing

MODEL

Actros, Actros MP4, Antos, Arocs, Atego, Atego up to 18 t, Axor,
 ComfortClass 400, Integro, Intouro, MultiClass 400, S 412, S
 415, S 416, Tourismo



TRUCKEXPERT NO.

480 00 071

Compressed Air Tank 1

20 / 246 x 493 / 15,5 bar

OE NO.	N/A

SPECIFICATIONS

Capacity [Litre]	20
Diameter [mm]	246
Distance / Ø [mm]	120
Length [mm]	493
Material	Steel
Number of Connecting Elements on Each Side	2
Operating Pressure [bar]	15,5
Threaded Connection	M22x1,5

USE

Compressed air sourcing

MODEL

Universal



TRUCKEXPERT NO.

480 66 010

Compressed Air Tank 1
20 / 246 x 533 / 12,5 bar

OE NO.	1733546

SPECIFICATIONS

Capacity [Litre]	20
Diameter [mm]	246
Length [mm]	533
Material	493
Number of Connecting Elements on Each Side	Steel
Operating Pressure [bar]	1
Threaded Connection	12,5
	M22x1,5

USE

Compressed air sourcing

MODEL

CF 75, CF 75IV, CF 85, CF 85IV, XF 95, XF 105



TRUCKEXPERT NO.

480 00 072

Compressed Air Tank 1

20 / 246 x 509 / 12,5 bar

OE NO.	0064326401

SPECIFICATIONS

Capacity [Litre]	20
Diameter [mm]	246
Distance / Ø [mm]	120
Length [mm]	509
Material	Steel
Number of Connecting Elements on Each Side	1
Operating Pressure [bar]	12,5
Plug Execution	Voss 232
Threaded Connection	M22x1,5

USE

Compressed air sourcing

MODEL

ALLIADO, Citaro, ComfortClass 400, Conecto, Econic, Integro, Intouro, Multego, MultiClass 400, O 303, O 403, O 404, O 405, O 407, O 408, O 500, O 814, OC 500, S 412, S 415, S 416, S 417, S 419, TopClass 400, TORINO, Tourino, Turismo, Touro, Travego



TRUCKEXPERT NO.

480 66 011

Compressed Air Tank 1
20 / 246 x 498 / 15,5 bar

OE NO.	ABRA361

SPECIFICATIONS

Capacity [Litre]	20
Diameter [mm]	246
Distance / Ø [mm]	120
Length [mm]	498
Material	Steel
Number of Connecting Elements on Each Side	2
Operating Pressure [bar]	15,5
Threaded Connection	M22x1,5

USE

Compressed air sourcing

MODEL

CF 65IV, LF 45IV, LF 55, LF 55IV



TRUCKEXPERT NO.

480 33 012

Compressed Air Tank 1

20 / 246 x 498 / 15,5 bar

OE NO.	81514010204

SPECIFICATIONS

Capacity [Litre]	20
Diameter [mm]	246
Distance / Ø [mm]	120
Length [mm]	498
Material	Steel
Number of Connecting Elements on Each Side	2
Operating Pressure [bar]	15,5
Plug Execution	Voss 232
Threaded Connection	M22x1,5

USE

Compressed air sourcing

MODEL

Bus, E2000, F2000, M2000L, M2000M



TRUCKEXPERT NO.

480 66 012

Compressed Air Tank 1

20 / 206 x 652 / 15,5 bar

OE NO.	ABRD557

SPECIFICATIONS

Capacity [Litre]	20
Diameter [mm]	206
Distance / Ø [mm]	120
Length [mm]	652
Material	Steel
Number of Connecting Elements on Each Side	2
Operating Pressure [bar]	15,5
Threaded Connection	M22x1,5

USE

Compressed air sourcing

MODEL

LF 45, LF 45IV



TRUCKEXPERT NO.

480 44 024

Compressed Air Tank 1
20 / 206 x 677 / 15,5 bar

OE NO.	0054324201

SPECIFICATIONS

Capacity [Litre]	20
Diameter [mm]	206
Distance / Ø [mm]	120
Length [mm]	677
Material	Steel
Number of Connecting Elements on Each Side	3
Operating Pressure [bar]	15,5
Plug Execution	Voss 232
Threaded Connection	M22x1,5

USE

Compressed air sourcing

MODEL

Actros, Actros MP4, Antos, Arocs, Axor



TRUCKEXPERT NO.

480 44 025

Compressed Air Tank 1

20 / 206 x 674 / 12,5 bar

OE NO.	0074321301

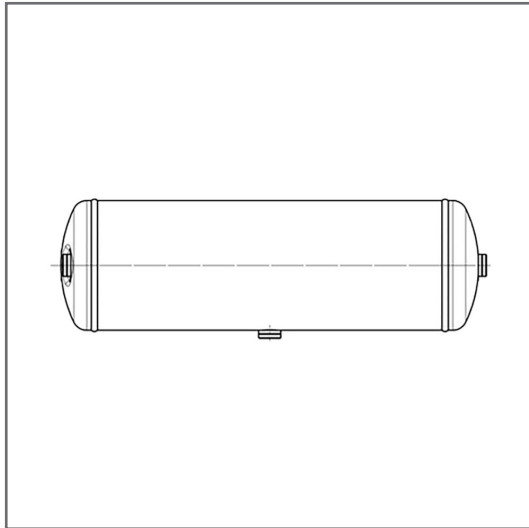
SPECIFICATIONS

Capacity [Litre]	20
Diameter [mm]	206
Distance / Ø [mm]	120
Length [mm]	674
Material	Steel
Number of Connecting Elements on Each Side	3
Operating Pressure [bar]	12,5
Plug Execution	Voss 232
Threaded Connection	M22x1,5

USE

Compressed air sourcing

MODEL



TRUCKEXPERT NO.

480 33 013

Compressed Air Tank 1

20 / 206 x 674 / 12,5 bar

OE NO.	81514010202

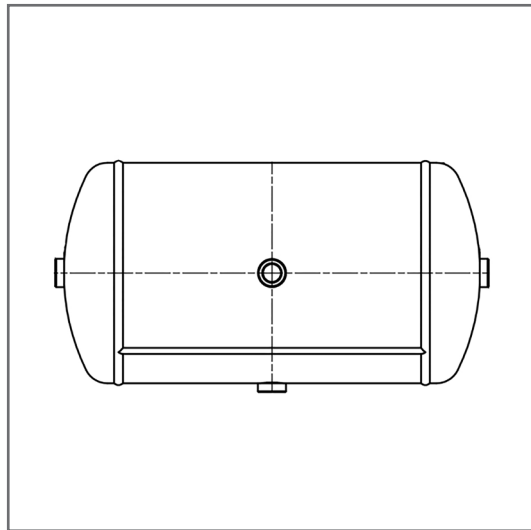
SPECIFICATIONS

Capacity [Litre]	20
Diameter [mm]	206
Distance / Ø [mm]	120
Length [mm]	674
Material	Steel
Number of Connecting Elements on Each Side	2
Operating Pressure [bar]	12,5
Plug Execution	Voss 232
Threaded Connection	M22x1,5

USE

Compressed air sourcing

MODEL



TRUCKEXPERT NO:

480 77 005

Compressed Air Tank 1

20 / 250 x 491 / 13 bar

OE NO.	5010525442

SPECIFICATIONS

Capacity [Litre]	20
Diameter [mm]	250
Length [mm]	491
Material	Steel
Number of Connecting Elements on Each Side	1
Operating Pressure [bar]	13
Threaded Connection	M22x1,5

USE

Compressed air sourcing

MODEL

Actros, Atego up to 18 t, Axor, Eonic



TRUCKEXPERT NO.

480 22 009

Compressed Air Tank 1
22 / 276 x 448 / 14,5 bar

OE NO.	469210

SPECIFICATIONS

Capacity [Litre]	22
Diameter [mm]	176
Distance / Ø [mm]	120
Length [mm]	448
Material	Steel
Number of Connecting Elements on Each Side	2
Operating Pressure [bar]	14,5
Threaded Connection	M22x1,5

USE

Compressed air sourcing

MODEL

Bus - Serie 3, Serie 3



TRUCKEXPERT NO.

480 22 010

Compressed Air Tank 1
25 / 246 x 601 / 15,5 bar

OE NO.	1935526

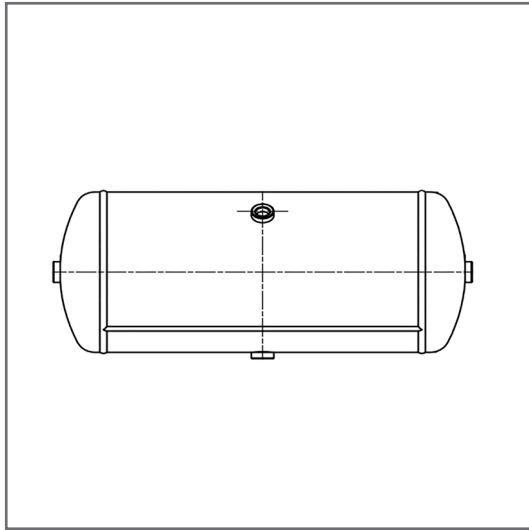
SPECIFICATIONS

Capacity [Litre]	25
Diameter [mm]	246
Distance / Ø [mm]	120
Length [mm]	601
Material	Steel
Number of Connecting Elements on Each Side	2
Operating Pressure [bar]	15,5
Threaded Connection	M22x1,5

USE

Compressed air sourcing

MODEL



TRUCKEXPERT NO.

480 77 006

Compressed Air Tank 1

25 / 250 x 597 / 13 bar

OE NO.	5010525445

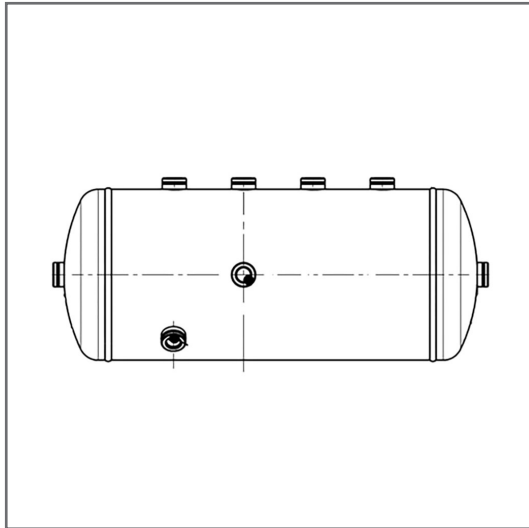
SPECIFICATIONS

Capacity [Litre]	25
Diameter [mm]	250
Length [mm]	597
Material	Steel
Number of Connecting Elements on Each Side	1
Operating Pressure [bar]	13
Threaded Connection	M22x1,5

USE

Compressed air sourcing

MODEL



TRUCKEXPERT NO.

480 66 013

Compressed Air Tank 1
25 / 246 x 625 / 12,5 bar

OE NO.	1736399

SPECIFICATIONS

Capacity [Litre]	25
Diameter [mm]	246
Length [mm]	625
Material	Steel
Number of Connecting Elements on Each Side	1
Operating Pressure [bar]	12,5
Threaded Connection	M22x1,5

USE

Compressed air sourcing

MODEL

CF 85IV, XF 105



TRUCKEXPERT NO.

480 55 008

Compressed Air Tank 1

25 / 246 x 609 / 15,5 bar

OE NO.	5801544994

SPECIFICATIONS

Capacity [Litre]	20
Diameter [mm]	246
Distance / Ø [mm]	120
Length [mm]	609
Material	Steel
Number of Connecting Elements on Each Side	2
Operating Pressure [bar]	15,5
Threaded Connection	M22x1,5

USE

Compressed air sourcing

MODEL



TRUCKEXPERT NO.

480 33 001

Compressed Air Tank 1

25 / 246 x 604,5 / 15,5 bar

OE NO.	0054323801

SPECIFICATIONS

Capacity [Litre]	25
Diameter [mm]	246
Distance / Ø [mm]	120
Length [mm]	604,5
Material	Steel
Number of Connecting Elements on Each Side	3
Operating Pressure [bar]	15,5
Plug Execution	Voss 232
Threaded Connection	M22x1,5

USE

Compressed air sourcing

MODEL

Actros, Actros MP4, Antos, Arocs, Atego, Atego up to 18 t, Axor,
Econic, LPN



TRUCKEXPERT NO.

480 00 073

Compressed Air Tank 1

25 / 246 x 588 / 15 bar

OE NO.	20904407 / 7420904407

SPECIFICATIONS

Capacity [Litre]	25
Diameter [mm]	246
Distance / Ø [mm]	120
Length [mm]	588
Material	Steel
Number of Connecting Elements on Each Side	3
Operating Pressure [bar]	15
Threaded Connection	M22x1,5

USE

Compressed air sourcing

MODEL

FL



TRUCKEXPERT NO.

480 66 014

Compressed Air Tank 1
25 / 246 x 625 / 12,5 bar

OE NO.	1694140

SPECIFICATIONS

Capacity [Litre]	25
Diameter [mm]	246
Length [mm]	625
Material	Steel
Number of Connecting Elements on Each Side	1
Operating Pressure [bar]	12,5
Threaded Connection	M22x1,5

USE

Compressed air sourcing

MODEL

CF 75IV, CF 85IV, XF 105



TRUCKEXPERT NO.

480 66 015

Compressed Air Tank 1
25 / 246 x 619 / 12,5 bar

OE NO.	1616333

SPECIFICATIONS

Capacity [Litre]	25
Diameter [mm]	246
Length [mm]	619
Material	Steel
Number of Connecting Elements on Each Side	1
Operating Pressure [bar]	12,5
Threaded Connection	M22x1,5

USE

Compressed air sourcing

MODEL

95 XF, CF 65, CF 75, CF 75IV, CF 85, CF 85IV, XF 95, XF 105



TRUCKEXPERT NO.

480 33 014

Compressed Air Tank 1

25 / 246 x 570 / 15,5 bar

OE NO.	81514010150

SPECIFICATIONS

Capacity [Litre]	25
Diameter [mm]	246
Distance / Ø [mm]	120
Length [mm]	570
Material	Steel
Number of Connecting Elements on Each Side	2
Operating Pressure [bar]	15,5
Threaded Connection	M22x1,5

USE

Compressed air sourcing

MODEL

E90, E2000, EL, F90, F2000, G90, L2000, M90, M2000L,
M2000M, ND, NG, NL, SG, SL, SR, SUE



TRUCKEXPERT NO.

480 33 015

Compressed Air Tank 1

25 / 246 x 590,5 / 12,5 bar

OE NO.	81514010209

SPECIFICATIONS

Capacity [Litre]	25
Diameter [mm]	246
Distance / Ø [mm]	120
Length [mm]	590,5
Material	Steel
Number of Connecting Elements on Each Side	2
Operating Pressure [bar]	12,5
Plug Execution	Voss 232
Threaded Connection	M22x1,5

USE

Compressed air sourcing

MODEL



TRUCKEXPERT NO.

480 44 001

Compressed Air Tank 1

25 / 276 x 494,5 / 15,5 bar

OE NO.	0054322601

SPECIFICATIONS

Capacity [Litre]	22
Diameter [mm]	276
Distance / Ø [mm]	120
Length [mm]	494,5
Material	Steel
Number of Connecting Elements on Each Side	3
Operating Pressure [bar]	15,5
Plug Execution	Voss 232
Threaded Connection	M22x1,5

USE

Compressed air sourcing

MODEL

Actros, Actros MP4, Antos, Arocs, Atego, Atego up to 18 t, Axor,
Econic



TRUCKEXPERT NO.

480 11 008

Compressed Air Tank 1

25 / 276 x 490 / 15 bar

OE NO.	20579604

SPECIFICATIONS

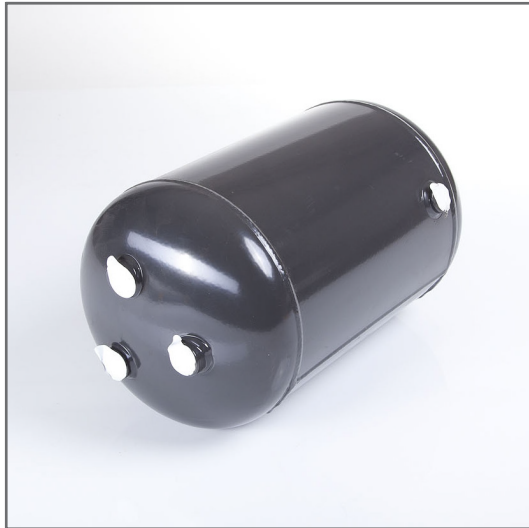
Capacity [Litre]	25
Diameter [mm]	276
Length [mm]	490
Material	Steel
Number of Connecting Elements on Each Side	3
Operating Pressure [bar]	15
Pitch Circle Ø [mm]	120
Threaded Connection	M22x1,5

USE

Compressed air sourcing

MODEL

B 7R, FH, FH 12, FH 16, FM, FM 9, FM 12



TRUCKEXPERT NO.

480 77 007

Compressed Air Tank 1

25 / 276 x 490 / 15 bar

OE NO.	7420579604

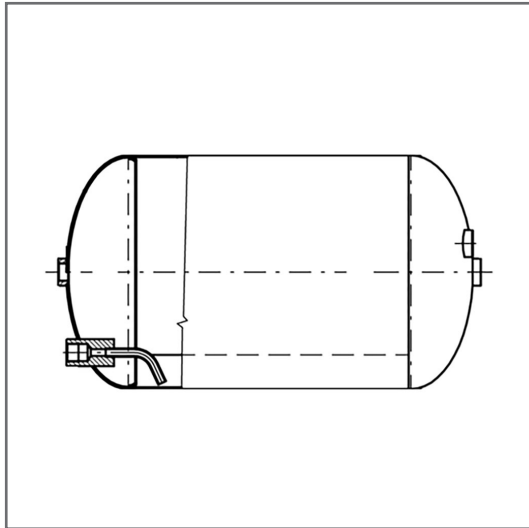
SPECIFICATIONS

Capacity [Litre]	25
Diameter [mm]	276
Length [mm]	490
Material	Steel
Number of Connecting Elements on Each Side	3
Operating Pressure [bar]	15
Pitch Circle Ø [mm]	120
Threaded Connection	M22x1,5

USE

Compressed air sourcing

MODEL



TRUCKEXPERT NO.

480 11 009

Compressed Air Tank 1

25 / 276 x 500 / 13 bar

OE NO.	20714520

SPECIFICATIONS

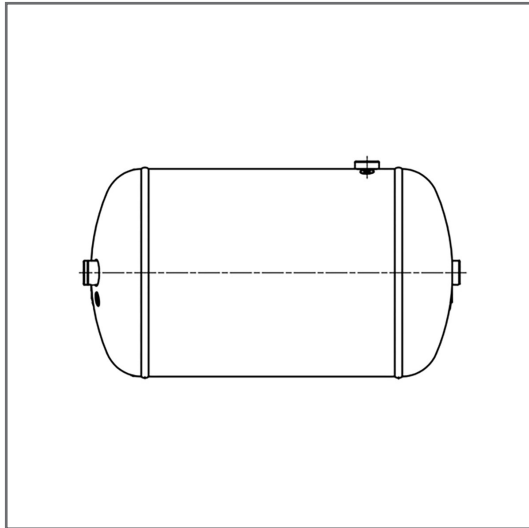
Capacity [Litre]	25
Diameter [mm]	276
Length [mm]	500
Material	Steel
Number of Connecting Elements on Each Side	3
Operating Pressure [bar]	13
Pitch Circle Ø [mm]	190
Pitch Circle Ø 1 [mm]	190
Threaded Connection	M22x1,5

USE

Compressed air sourcing

MODEL

B 9TL



TRUCKEXPERT NO.

480 00 074

Compressed Air Tank 1

25 / 276 x 501 / 15 bar

OE NO.	21187789 / 7421187789

SPECIFICATIONS

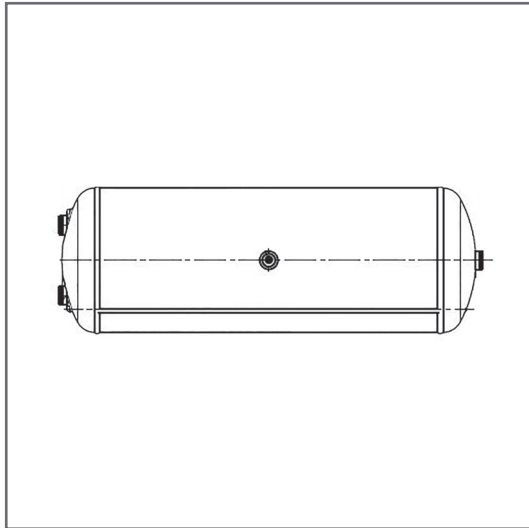
Capacity [Litre]	25
Diameter [mm]	276
Length [mm]	120
Material	501
Number of Connecting Elements on Each Side	Steel
Operating Pressure [bar]	3
Threaded Connection	15
	M22x1,5

USE

Compressed air sourcing

MODEL

FH



TRUCKEXPERT NO.

480 55 009

Compressed Air Tank 1

30 / 246 x 720 / 12,5 bar

OE NO.	5801459393

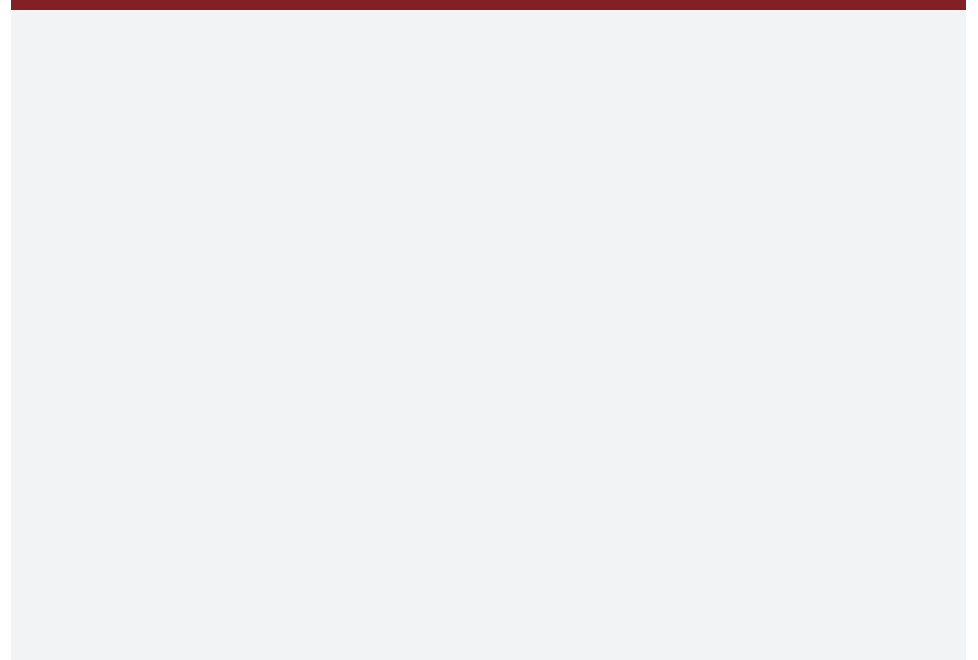
SPECIFICATIONS

Capacity [Litre]	70
Diameter [mm]	246
Distance / Ø [mm]	120
Length [mm]	720
Material	Steel
Number of Connecting Elements on Each Side	2
Operating Pressure [bar]	12,5
Threaded Connection	M22x1,5

USE

Compressed air sourcing

MODEL





TRUCKEXPERT NO.

480 11 010

Compressed Air Tank 1

30 / 206 x 991 / 15,5 bar

OE NO.	21187795
PE NO.	146.520-00A

SPECIFICATIONS

Capacity [Litre]	30
Diameter [mm]	206
Distance / Ø [mm]	120
Length [mm]	991
Material	Steel
Number of Connecting Elements on Each Side	2
Operating Pressure [bar]	12,5
Threaded Connection	M22x1,5

USE

Compressed air sourcing

MODEL

B 6



TRUCKEXPERT NO.

480 44 027

Compressed Air Tank 1

30 / 246 x 700 / 15,5 bar

OE NO.	0034321801

SPECIFICATIONS

Capacity [Litre]	25
Diameter [mm]	246
Distance / Ø [mm]	120
Length [mm]	700
Material	Steel
Number of Connecting Elements on Each Side	2
Operating Pressure [bar]	15,5
Plug Execution	Voss 232 / 230
Threaded Connection	M22x1,5

USE

Compressed air sourcing

MODEL

Actros, MK, NG, SK



TRUCKEXPERT NO.

480 00 075

Compressed Air Tank 1
30 / 246 x 700 / 15,5 bar

OE NO.	N/A

SPECIFICATIONS

Capacity [Litre]	30
Diameter [mm]	246
Distance / Ø [mm]	120
Length [mm]	700
Material	Steel
Number of Connecting Elements on Each Side	2
Operating Pressure [bar]	15,5
Plug Execution	Voss 232 / 230
Threaded Connection	M22x1,5

USE

Compressed air sourcing

MODEL

Universal



TRUCKEXPERT NO.

480 44 028

Compressed Air Tank 1

30 / 246 x 714,5 / 15,5 bar

OE NO.	0054322301

SPECIFICATIONS

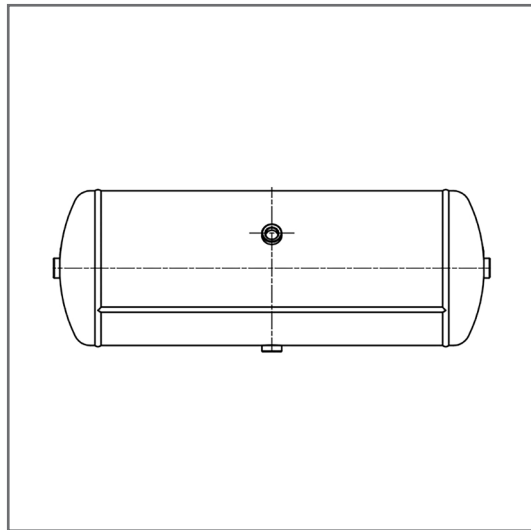
Capacity [Litre]	30
Diameter [mm]	246
Distance / Ø [mm]	120
Length [mm]	714,5
Material	Steel
Number of Connecting Elements on Each Side	3
Operating Pressure [bar]	15,5
Plug Execution	Voss 232
Threaded Connection	M22x1,5

USE

Compressed air sourcing

MODEL

Actros, Actros MP4, Antos, Arocs, Atego, Atego up to 18 t, Axor,
 ComfortClass 400, Integro, Intouro, MultiClass 400, S 411, S 412,
 S 415, S 416, S 417, S 419, TopClass 400, Turismo



TRUCKEXPERT NO.

480 77 008

Compressed Air Tank 1

30 / 250 x 705 / 13 bar

OE NO.	5011525445

SPECIFICATIONS

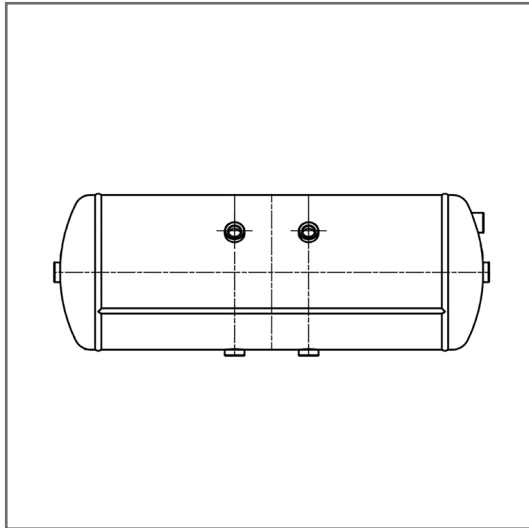
Capacity [Litre]	30
Diameter [mm]	250
Length [mm]	705
Material	Steel
Number of Connecting Elements on Each Side	1
Operating Pressure [bar]	13
Threaded Connection	M22x1,5

USE

Compressed air sourcing

MODEL

--



TRUCKEXPERT NO.

480 77 009

Compressed Air Tank 1

30 / 250 x 705 / 13 bar

OE NO.	5012525446

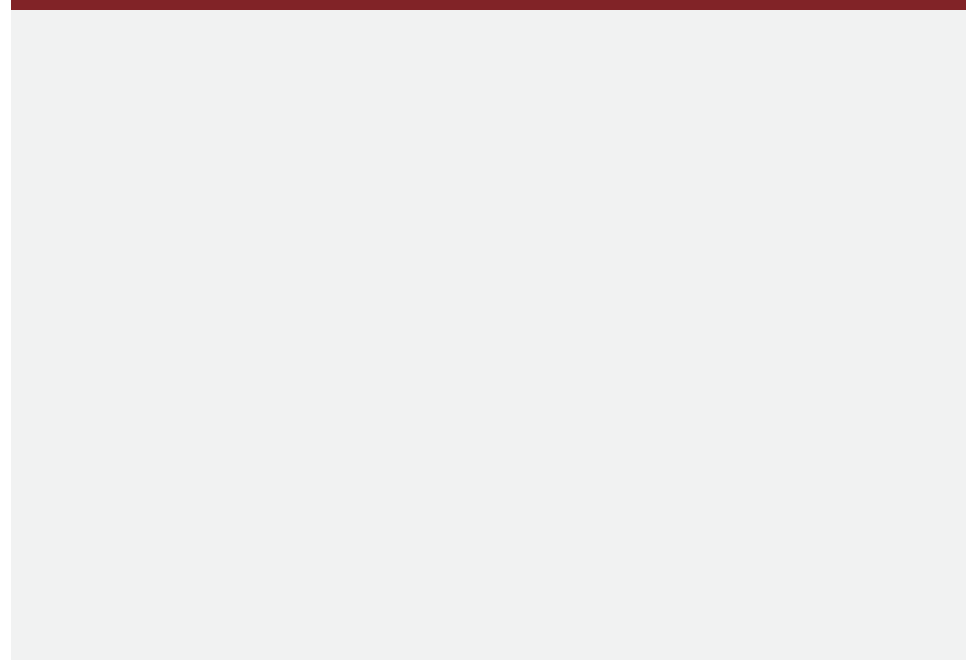
SPECIFICATIONS

Capacity [Litre]	30
Diameter [mm]	250
Length [mm]	705
Material	Steel
Number of Connecting Elements on Each Side	2
Operating Pressure [bar]	13
Pitch Circle Ø [mm]	120
Threaded Connection	M22x1,5

USE

Compressed air sourcing

MODEL





TRUCKEXPERT NO.

480 55 010

Compressed Air Tank 1

30 / 246 x 719,5 / 15,5 bar

OE NO.	5949779746

SPECIFICATIONS

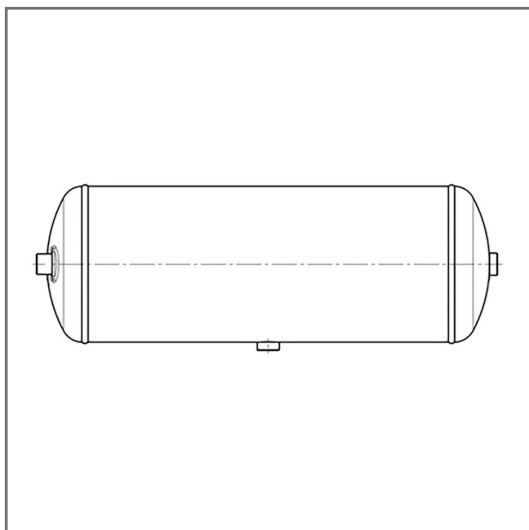
Capacity [Litre]	30
Diameter [mm]	246
Distance / Ø [mm]	120
Length [mm]	719,5
Material	Steel
Number of Connecting Elements on Each Side	1
Operating Pressure [bar]	15,5
Threaded Connection	M22x1,5

USE

Compressed air sourcing

MODEL

Actros, Actros MP4, Antos, Arocs, Atego, Atego up to 18 t, Axor,
 ComfortClass 400, Integro, Intouro, MultiClass 400, S 411, S 412,
 S 415, S 416, S 417, S 419, TopClass 400, Turismo



TRUCKEXPERT NO.

480 33 016

Compressed Air Tank 1

30 / 246 x 730 / 12,5 bar

OE NO.	81514010133

SPECIFICATIONS

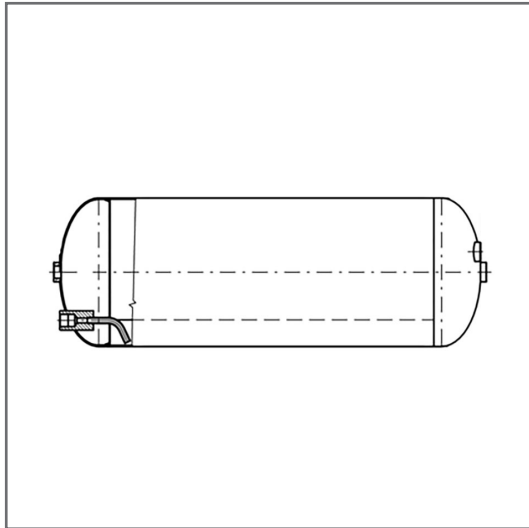
Capacity [Litre]	30
Diameter [mm]	246
Distance / Ø [mm]	120
Length [mm]	730
Material	Steel
Number of Connecting Elements on Each Side	2
Operating Pressure [bar]	12,5
Plug Execution	Voss 232
Threaded Connection	M22x1,5

USE

Compressed air sourcing

MODEL

Bus, Cityliner, E2000, EL, F90, F2000, L2000, Lions City, Lions Classic, Lions Coach, Lions Regio, Lions Star, M2000L, M2000M, ND, NG, NL, RH, SG, Skyliner, SL, Starliner, SUE, Tourliner, Trendliner, UEL



TRUCKEXPERT NO.

480 11 011

Compressed Air Tank 1

30 / 246 x 720 / 13 bar

OE NO.	20714522

SPECIFICATIONS

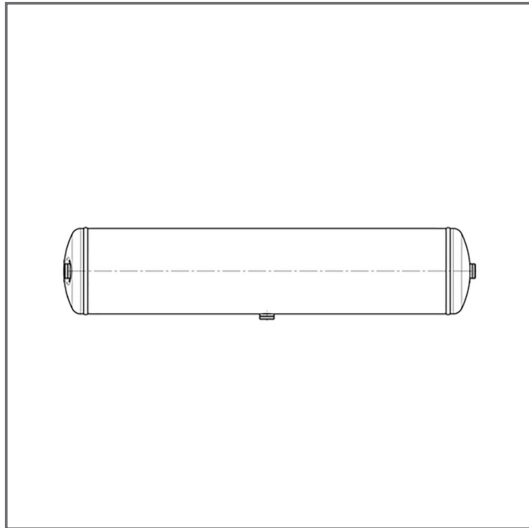
Capacity [Litre]	30
Diameter [mm]	246
Length [mm]	720
Material	Steel
Number of Connecting Elements on Each Side	3
Operating Pressure [bar]	13
Pitch Circle Ø [mm]	160
Pitch Circle Ø 1[mm]	160
Threaded Connection	M22x1,5

USE

Compressed air sourcing

MODEL

B 9L, B 9TL



TRUCKEXPERT NO.

480 33 017

Compressed Air Tank 1

30 / 206 x 993 / 12,5 bar

OE NO.	81514010211

SPECIFICATIONS

Capacity [Litre]	30
Diameter [mm]	206
Distance / Ø [mm]	120
Length [mm]	993
Material	Steel
Number of Connecting Elements on Each Side	2
Operating Pressure [bar]	12,5
Plug Execution	Voss 232
Threaded Connection	M22x1,5

USE

Compressed air sourcing

MODEL

Bus, Centroliner, Lions City, NG



TRUCKEXPERT NO.

480 11 012

Compressed Air Tank 1

30 / 276 x 575 / 15 bar

OE NO.	20579606

SPECIFICATIONS

Capacity [Litre]	30
Diameter [mm]	276
Length [mm]	120
Material	575
Number of Connecting Elements on Each Side	Steel
Operating Pressure [bar]	2
Threaded Connection	15
	M22x1,5

USE

Compressed air sourcing

MODEL

B 6R, B 7R, B 9L, B 9R, B 9S, B 9TL, B 12B, B 12M, FH, FH 12, FH 16, FM, FM 9, FM 12



TRUCKEXPERT NO.

480 44 029

Compressed Air Tank 1

30 / 276 x 599,5 / 15,5 bar

OE NO.	0074322101

SPECIFICATIONS

Capacity [Litre]	30
Diameter [mm]	276
Distance / Ø [mm]	120
Length [mm]	599,5
Material	Steel
Number of Connecting Elements on Each Side	2
Operating Pressure [bar]	15,5
Plug Execution	Voss 232 / 230
Threaded Connection	M22x1,5

USE

Compressed air sourcing

MODEL

O 301, O 402, O 814, O 817



TRUCKEXPERT NO.

480 00 059

Compressed Air Tank 1

30 / 276 x 568 / 14,5 bar

OE NO.	1357950

SPECIFICATIONS

Capacity [Litre]	30
Diameter [mm]	276
Distance / Ø [mm]	120
Length [mm]	568
Material	Steel
Number of Connecting Elements on Each Side	2
Operating Pressure [bar]	14,5
Threaded Connection	M22x1,5

USE

Compressed air sourcing

MODEL

Bus - Serie 4, Bus - Serie F/K/N, Serie 4, Serie P,G,R,T



TRUCKEXPERT NO.

480 44 030

Compressed Air Tank 1

30 / 276 x 584 / 15,5 bar

OE NO.	0054323901

SPECIFICATIONS

Capacity [Litre]	30
Diameter [mm]	276
Distance / Ø [mm]	120
Length [mm]	584
Material	Steel
Number of Connecting Elements on Each Side	3
Operating Pressure [bar]	15,5
Plug Execution	Voss 232
Position of drainage valve [mm] [#1]	184
Threaded Connection	M22x1,5

USE

Compressed air sourcing

MODEL

Actros, Axor



TRUCKEXPERT NO.

480 44 026

Compressed Air Tank 1

30 / 276 x 584,5 / 15,5 bar

OE NO.	0054322201

SPECIFICATIONS

Capacity [Litre]	30
Diameter [mm]	276
Distance / Ø [mm]	120
Length [mm]	584,5
Material	Steel
Number of Connecting Elements on Each Side	3
Operating Pressure [bar]	15,5
Plug Execution	Voss 232
Position of drainage valve [mm] [#1]	184,5
Threaded Connection	M22x1,5

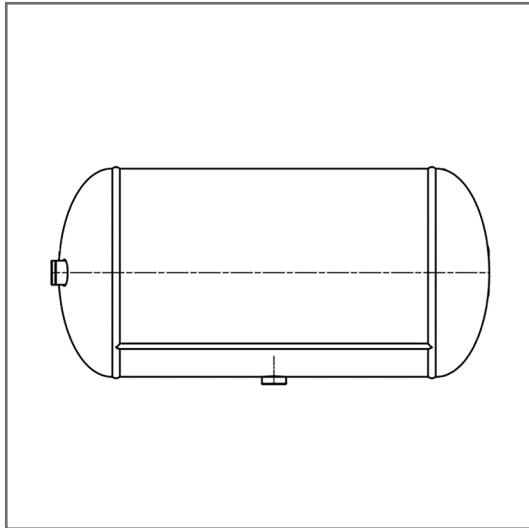
USE

Compressed air sourcing

MODEL

Actros, Actros MP4, Antos, Arocs, Atego, Atego up to 18 t, Axor,

O 814, O 817



TRUCKEXPERT NO.

480 11 013

Compressed Air Tank 1

30 / 276 x 584,5 / 15,5 bar

OE NO.	20904408

SPECIFICATIONS

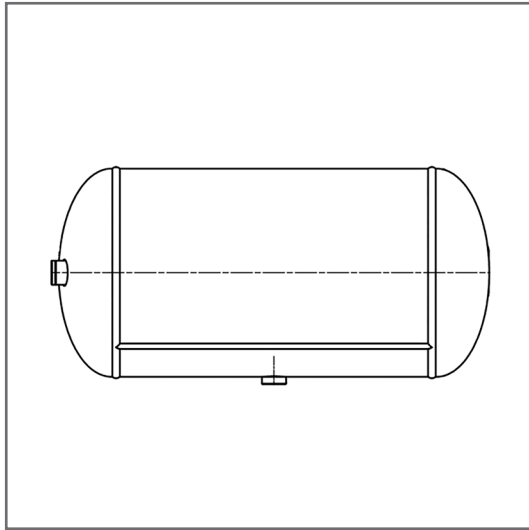
Capacity [Litre]	30
Diameter [mm]	276
Distance / Ø [mm]	120
Length [mm]	580
Material	Steel
Number of Connecting Elements on Each Side	3
Operating Pressure [bar]	15
Threaded Connection	M22x1,5

USE

Compressed air sourcing

MODEL

FE



TRUCKEXPERT NO.

480 77 010

Compressed Air Tank 1

30 / 276 x 580 / 15 bar

OE NO.	7420904408

SPECIFICATIONS

Capacity [Litre]	30
Diameter [mm]	276
Distance / Ø [mm]	120
Length [mm]	580
Material	Steel
Number of Connecting Elements on Each Side	3
Operating Pressure [bar]	15
Threaded Connection	M22x1,5

USE

Compressed air sourcing

MODEL



TRUCKEXPERT NO.

480 33 031

Compressed Air Tank 1

30 / 276 x 583 / 15,5 bar

OE NO.	0004328801

SPECIFICATIONS

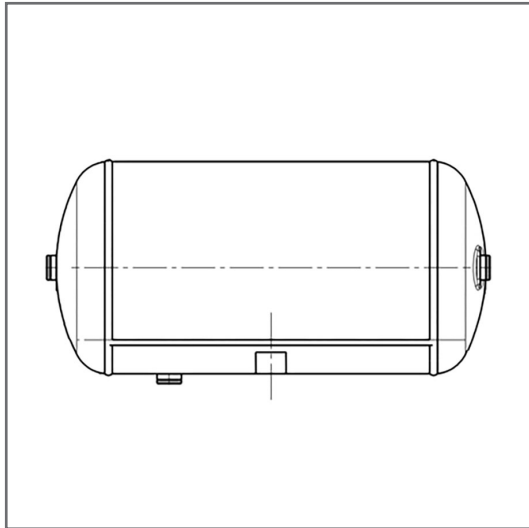
Capacity [Litre]	30
Diameter [mm]	276
Distance / Ø [mm]	120
Length [mm]	583
Material	Steel
Number of Connecting Elements on Each Side	2
Operating Pressure [bar]	15,5
Threaded Connection	M22x1,5

USE

Compressed air sourcing

MODEL

LK, LN, O 814, O 817



TRUCKEXPERT NO.

480 66 016

Compressed Air Tank 1

30 / 276 x 579 / 15,5 bar

OE NO.	ABRA383

SPECIFICATIONS

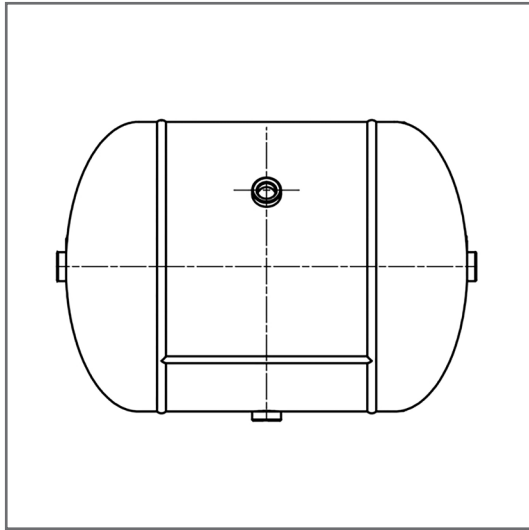
Capacity [Litre]	30
Diameter [mm]	276
Distance / Ø [mm]	120
Length [mm]	579
Material	Steel
Number of Connecting Elements on Each Side	2
Operating Pressure [bar]	15,5
Threaded Connection	M22x1,5

USE

Compressed air sourcing

MODEL

CF 65, CF 65II, CF 65IV, LF 45, LF 45IV, LF 55, LF 55IV



TRUCKEXPERT NO.

480 77 011

Compressed Air Tank 1

30 / 320 x 464 / 13 bar

OE NO.	5010525419

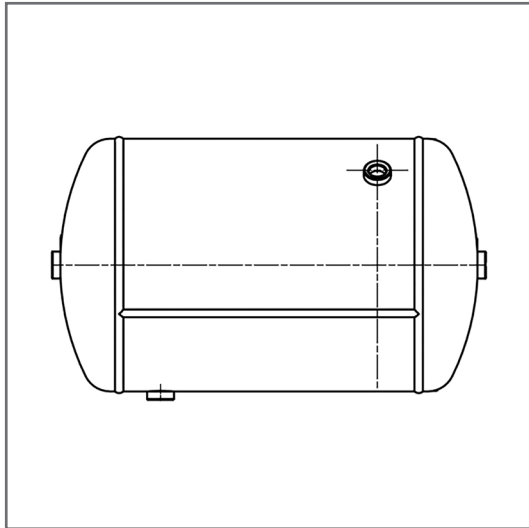
SPECIFICATIONS

Capacity [Litre]	30
Diameter [mm]	320
Length [mm]	464
Material	Steel
Number of Connecting Elements on Each Side	1
Operating Pressure [bar]	13
Threaded Connection	M22x1,5

USE

Compressed air sourcing

MODEL



TRUCKEXPERT NO.

480 77 012

Compressed Air Tank 1

30 / 300 x 515 / 13 bar

OE NO.	5010525418

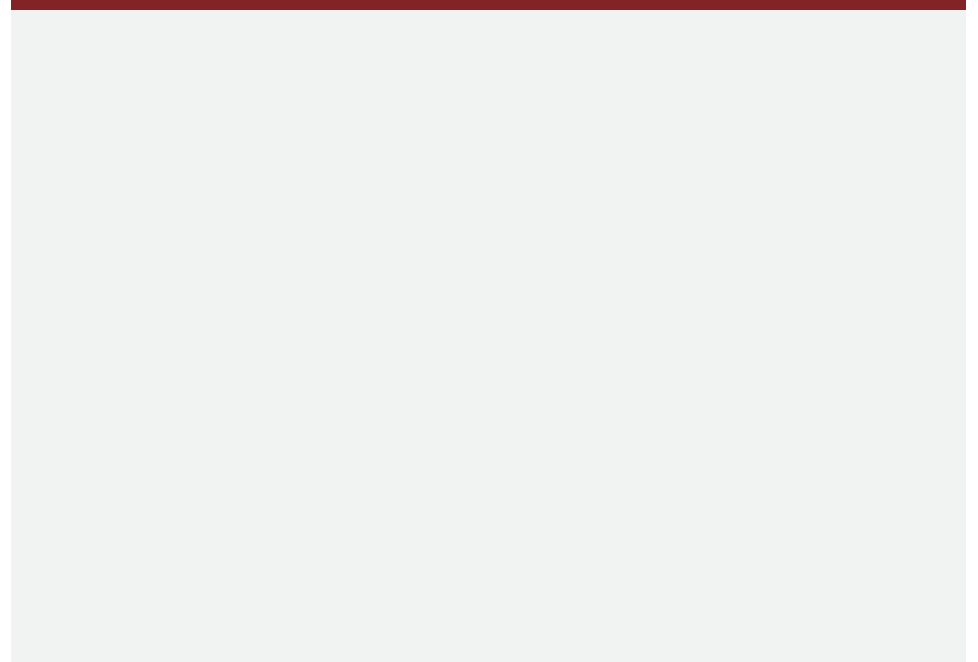
SPECIFICATIONS

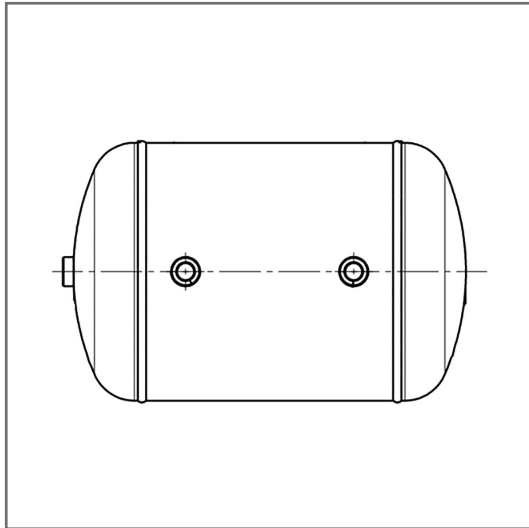
Capacity [Litre]	30
Diameter [mm]	300
Length [mm]	515
Material	Steel
Number of Connecting Elements on Each Side	1
Operating Pressure [bar]	13
Threaded Connection	M22x1,5

USE

Compressed air sourcing

MODEL





TRUCKEXPERT NO.

480 22 010

Compressed Air Tank 1

30 / 310 x 483 / 14,5 bar

OE NO.	1778889

SPECIFICATIONS

Capacity [Litre]	30
Diameter [mm]	310
Length [mm]	483
Material	Steel
Number of Connecting Elements on Each Side	1
Operating Pressure [bar]	14,5
Threaded Connection	M22x1,5

USE

Compressed air sourcing

MODEL

Serie P,G,R,T



TRUCKEXPERT NO.

480 33 018

Compressed Air Tank 1

30 / 310 x 462 / 12,5 bar

OE NO.	81514010180

SPECIFICATIONS

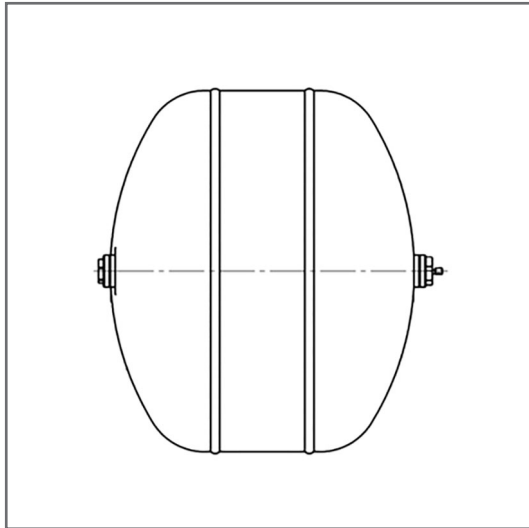
Capacity [Litre]	30
Diameter [mm]	310
Distance / Ø [mm]	120
Length [mm]	462
Material	Steel
Number of Connecting Elements on Each Side	3
Operating Pressure [bar]	12,5
Plug Execution	Voss 232
Threaded Connection	M22x1,5

USE

Compressed air sourcing

MODEL

TGA, TGL, TGM, TGS, TGX



TRUCKEXPERT NO.

480 33 019

Compressed Air Tank 1

30 / 396 x 349 / 12,5 bar

OE NO.	81514010242

SPECIFICATIONS

Capacity [Litre]	30
Diameter [mm]	396
Distance / Ø [mm]	120
Length [mm]	349
Material	Steel
Number of Connecting Elements on Each Side	2
Operating Pressure [bar]	12,5
Plug Execution	Voss 232
Threaded Connection	M22x1,5

USE

Compressed air sourcing

MODEL

TGA, TGS, TGX



TRUCKEXPERT NO.

480 44 032

Compressed Air Tank 1

35 / 246 x 821 / 15,5 bar

OE NO.	0054323501

SPECIFICATIONS

Capacity [Litre]	35
Diameter [mm]	246
Distance / Ø [mm]	120
Length [mm]	821
Material	Steel
Number of Connecting Elements on Each Side	3
Operating Pressure [bar]	15,5
Plug Execution	Voss 232
Threaded Connection	M22x1,5

USE

Compressed air sourcing

MODEL

Actros, Atego, Atego up to 18 t, Axor



TRUCKEXPERT NO.

480 44 033

Compressed Air Tank 1

35 / 276 x 662,5 / 15,5 bar

OE NO.	0054322701

SPECIFICATIONS

Capacity [Litre]	35
Diameter [mm]	276
Distance / Ø [mm]	120
Length [mm]	662,5
Material	Steel
Number of Connecting Elements on Each Side	3
Operating Pressure [bar]	15,5
Plug Execution	Voss 232
Threaded Connection	M22x1,5

USE

Compressed air sourcing

MODEL

Actros, Actros MP4, Antos, Arocs, Atego, Atego up to 18 t, Axor,

Econic



TRUCKEXPERT NO.

480 33 020

Compressed Air Tank 1

35 / 310 x 529 / 12,5 bar

OE NO.	81514016014

SPECIFICATIONS

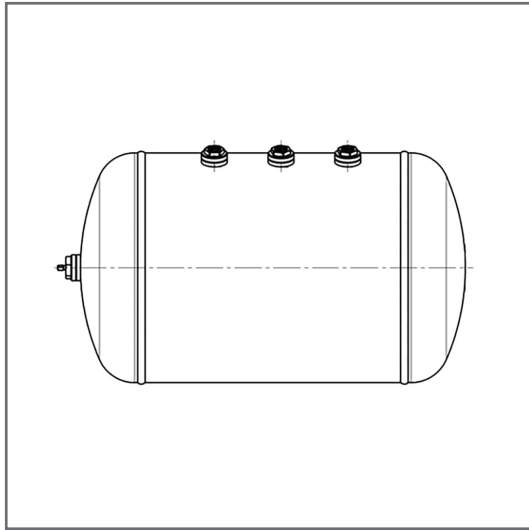
Capacity [Litre]	35
Diameter [mm]	310
Distance / Ø [mm]	120
Length [mm]	529
Material	Steel
Number of Connecting Elements on Each Side	3
Operating Pressure [bar]	12,5
Plug Execution	Voss 232
Threaded Connection	M22x1,5

USE

Compressed air sourcing

MODEL

TGA, TGM



TRUCKEXPERT NO.

480 33 021

Compressed Air Tank 1
35 / 310 x 529 / 12,5 bar

OE NO.	81514016038

SPECIFICATIONS

Capacity [Litre]	35
Diameter [mm]	310
Length [mm]	529
Material	Steel
Number of Connecting Elements on Each Side	1
Operating Pressure [bar]	12,5
Plug Execution	Voss 232
Threaded Connection	M22x1,5

USE

Compressed air sourcing

MODEL

--



TRUCKEXPERT NO.

480 66 017

Compressed Air Tank 1
36 / 300 x 609 / 12,5 bar

OE NO.	1733544

SPECIFICATIONS

Capacity [Litre]	36
Diameter [mm]	300
Length [mm]	609
Material	Steel
Number of Connecting Elements on Each Side	1
Operating Pressure [bar]	12,5
Threaded Connection	M22x1,5

USE

Compressed air sourcing

MODEL

CF 65IV, CF 75IV, CF 85, CF 85IV, LF 55, LF 55IV, XF 95, XF 105,
YTZ 95



TRUCKEXPERT NO.

480 66 018

Compressed Air Tank 1

36 / 300 x 609 / 12,5 bar

OE NO.	1696171

SPECIFICATIONS

Capacity [Litre]	36
Diameter [mm]	300
Length [mm]	609
Material	Steel
Number of Connecting Elements on Each Side	1
Operating Pressure [bar]	12,5
Threaded Connection	M22x1,5

USE

Compressed air sourcing

MODEL

CF 75, CF 75IV, CF 85, CF 85IV, XF 95, XF 105



TRUCKEXPERT NO.

480 22 012

Compressed Air Tank 1

36 / 310 x 563 / 14,5 bar

OE NO.	1448884

SPECIFICATIONS

Capacity [Litre]	35
Diameter [mm]	310
Length [mm]	563
Material	Steel
Number of Connecting Elements on Each Side	1
Operating Pressure [bar]	14,5
Threaded Connection	M22x1,5

USE

Compressed air sourcing

MODEL

Serie P,G,R,T



TRUCKEXPERT NO.

480 00 076

Compressed Air Tank 1

37 / 246 x 862 / 15,5 bar

OE NO.	N/A

SPECIFICATIONS

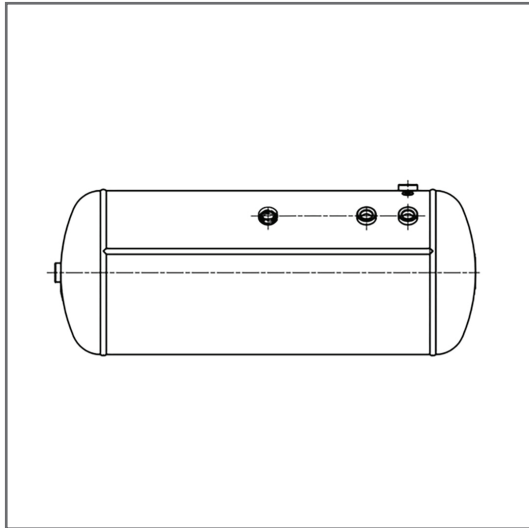
Capacity [Litre]	37
Diameter [mm]	246
Distance / Ø [mm]	120
Length [mm]	862
Material	Steel
Number of Connecting Elements on Each Side	2
Operating Pressure [bar]	15,5
Threaded Connection	M22x1,5

USE

Compressed air sourcing

MODEL

Actros, Atego, Atego up to 18 t, Axor



TRUCKEXPERT NO.

480 11 014

Compressed Air Tank 1

38 / 276 x 710 / 15 bar

OE NO.	21187793

SPECIFICATIONS

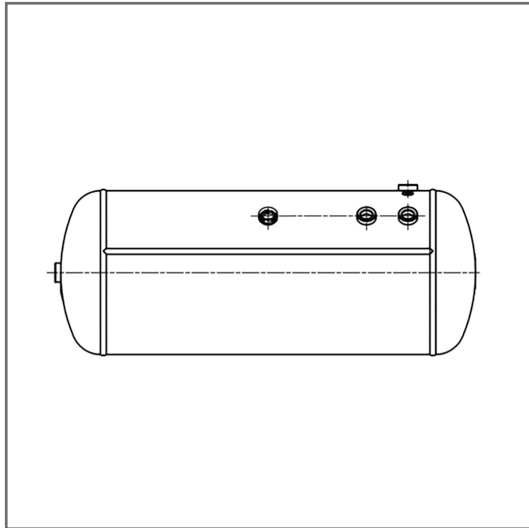
Capacity [Litre]	38
Diameter [mm]	276
Distance / Ø [mm]	120
Length [mm]	710
Material	Steel
Number of Connecting Elements on Each Side	1
Operating Pressure [bar]	15
Threaded Connection	M22x1,5

USE

Compressed air sourcing

MODEL

FH



TRUCKEXPERT NO.

480 77 013

Compressed Air Tank 1

38 / 276 x 710 / 15 bar

OE NO.	7421187793

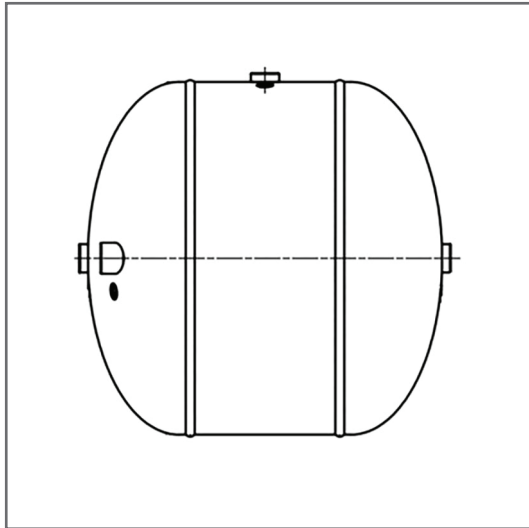
SPECIFICATIONS

Capacity [Litre]	38
Diameter [mm]	276
Distance / Ø [mm]	120
Length [mm]	710
Material	Steel
Number of Connecting Elements on Each Side	1
Operating Pressure [bar]	15
Threaded Connection	M22x1,5

USE

Compressed air sourcing

MODEL



TRUCKEXPERT NO.

480 11 015

Compressed Air Tank 1

39 / 396 x 417 / 15 bar

OE NO.	21187795

SPECIFICATIONS

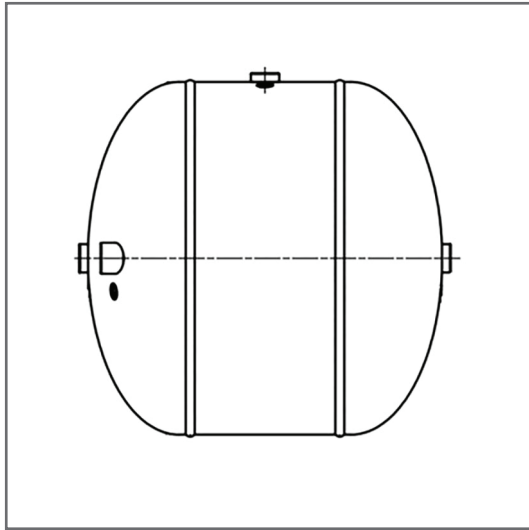
Capacity [Litre]	39
Diameter [mm]	396
Distance / Ø [mm]	280
Length [mm]	417
Material	Steel
Number of Connecting Elements on Each Side	3
Operating Pressure [bar]	15
Threaded Connection	M22x1,5

USE

Compressed air sourcing

MODEL

FH



TRUCKEXPERT NO.

480 77 014

Compressed Air Tank 1

39 / 396 x 417 / 15 bar

OE NO.	7421187795

SPECIFICATIONS

Capacity [Litre]	39
Diameter [mm]	396
Distance / Ø [mm]	280
Length [mm]	417
Material	Steel
Number of Connecting Elements on Each Side	3
Operating Pressure [bar]	15
Threaded Connection	M22x1,5

USE

Compressed air sourcing

MODEL



TRUCKEXPERT NO.

480 33 022

Compressed Air Tank 1

40 / 310 x 604 / 12,5 bar

OE NO.	81514010247

SPECIFICATIONS

Capacity [Litre]	40
Diameter [mm]	310
Distance / Ø [mm]	120
Length [mm]	604
Material	Steel
Number of Connecting Elements on Each Side	3
Operating Pressure [bar]	12,5
Plug Execution	Voss 232
Threaded Connection	M22x1,5

USE

Compressed air sourcing

MODEL

TGA, TGS, TGX



TRUCKEXPERT NO.

480 33 023

Compressed Air Tank 1

40 / 206 x 1304 / 12,5 bar

OE NO.	81514010213

SPECIFICATIONS

Capacity [Litre]	30
Diameter [mm]	206
Distance / Ø [mm]	120
Length [mm]	1304
Material	Steel
Number of Connecting Elements on Each Side	2
Operating Pressure [bar]	12,5
Plug Execution	Voss 232
Threaded Connection	M22x1,5

USE

Compressed air sourcing

MODEL

Bus, Centroliner, EL, Lions City, NG, NL, NM



TRUCKEXPERT NO.

480 44 034

Compressed Air Tank 1

40 / 246 x 927 / 15,5 bar

OE NO.	0034322301

SPECIFICATIONS

Capacity [Litre]	40
Diameter [mm]	246
Distance / Ø [mm]	120
Length [mm]	927
Material	Steel
Number of Connecting Elements on Each Side	2
Operating Pressure [bar]	15,5
Threaded Connection	M22x1,5

USE

Compressed air sourcing

MODEL

NG



TRUCKEXPERT NO.

480 00 077

Compressed Air Tank 1
40 / 310 x 618 / 12,5 bar

OE NO.	N/A

SPECIFICATIONS

Capacity [Litre]	40
Diameter [mm]	310
Distance / Ø [mm]	120
Length [mm]	618
Material	Steel
Number of Connecting Elements on Each Side	2
Operating Pressure [bar]	12,5
Threaded Connection	M22x1,5

USE

Compressed air sourcing

MODEL



TRUCKEXPERT NO.

480 33 024

Compressed Air Tank 1

40 / 310 x 605 / 12,5 bar

OE NO.	81514010182

SPECIFICATIONS

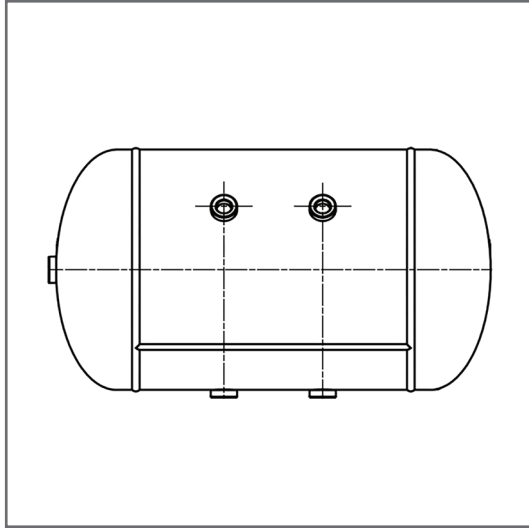
Capacity [Litre]	40
Diameter [mm]	310
Distance / Ø [mm]	120
Length [mm]	605
Material	Steel
Number of Connecting Elements on Each Side	3
Operating Pressure [bar]	12,5
Plug Execution	Voss 232
Threaded Connection	M22x1,5

USE

Compressed air sourcing

MODEL

Bus, Lions Regio, TGA, TGS, TGX, Trendliner



TRUCKEXPERT NO.

480 77 015

Compressed Air Tank 1

40 / 320 x 586 / 13 bar

OE NO.	5010525449

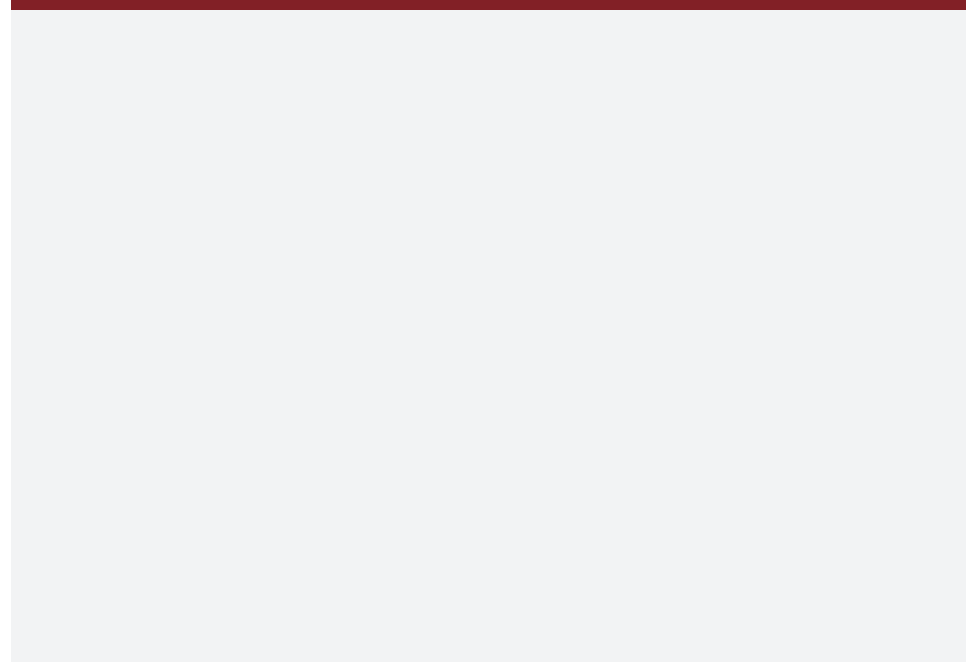
SPECIFICATIONS

Capacity [Litre]	40
Diameter [mm]	310
Length [mm]	586
Material	Steel
Number of Connecting Elements on Each Side	1
Operating Pressure [bar]	13
Threaded Connection	M22x1,5

USE

Compressed air sourcing

MODEL





TRUCKEXPERT NO.

480 00 078

Compressed Air Tank 1

40 / 246 x 927 / 15,5 bar

OE NO.	1505416

SPECIFICATIONS

Capacity [Litre]	40
Diameter [mm]	246
Distance / Ø [mm]	120
Length [mm]	927
Material	Steel
Number of Connecting Elements on Each Side	2
Operating Pressure [bar]	15,5
Threaded Connection	M22x1,5

USE

Compressed air sourcing

MODEL

Universal



TRUCKEXPERT NO.

480 44 035

Compressed Air Tank 1

40 / 246 x 932,5 / 15,5 bar

OE NO.	0054322901

SPECIFICATIONS

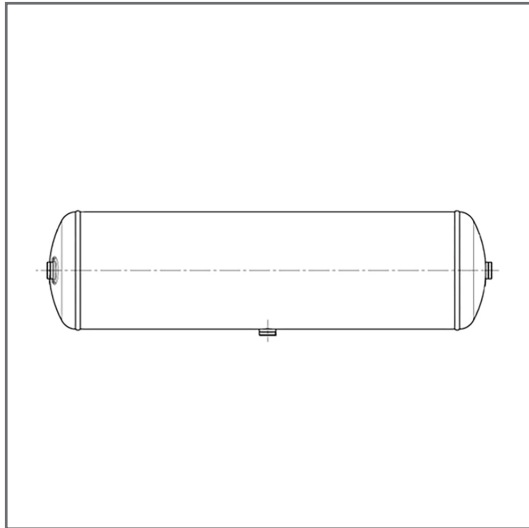
Capacity [Litre]	40
Diameter [mm]	246
Distance / Ø [mm]	120
Length [mm]	932,5
Material	Steel
Number of Connecting Elements on Each Side	3
Operating Pressure [bar]	15,5
Threaded Connection	M22x1,5

USE

Compressed air sourcing

MODEL

Actros, Actros MP4, Antos, Arocs, Atego, Atego up to 18 t, Axor,
Econic



TRUCKEXPERT NO.

480 33 025

Compressed Air Tank 1

40 / 246 x 934 / 12,5 bar

OE NO.	81514010214

SPECIFICATIONS

Capacity [Litre]	40
Diameter [mm]	246
Distance / Ø [mm]	120
Length [mm]	934
Material	Steel
Number of Connecting Elements on Each Side	2
Operating Pressure [bar]	12,5
Plug Execution	Voss 232
Threaded Connection	M22x1,5

USE

Compressed air sourcing

MODEL

Lions Classic, Lions Coach, Lions Regio, Lions Star, NM, SG, SL,
SUE, Tourliner, Trendliner



TRUCKEXPERT NO.

480 44 036

Compressed Air Tank 1

40 / 276 x 758 / 15,5 bar

OE NO.	0034322501

SPECIFICATIONS

Capacity [Litre]	40
Diameter [mm]	276
Distance / Ø [mm]	120
Length [mm]	758
Material	Steel
Number of Connecting Elements on Each Side	2
Operating Pressure [bar]	15,5
Threaded Connection	M22x1,5

USE

Compressed air sourcing

MODEL

O 817



TRUCKEXPERT NO.

480 00 080

Compressed Air Tank 1

40 / 276 x 762 / 12,5 bar

OE NO.	N/A

SPECIFICATIONS

Capacity [Litre]	40
Diameter [mm]	276
Distance / Ø [mm]	120
Length [mm]	762
Material	Steel
Number of Connecting Elements on Each Side	2
Operating Pressure [bar]	12,5
Plug Execution	Voss 232
Threaded Connection	M22x1,5

USE

Compressed air sourcing

MODEL



TRUCKEXPERT NO.

480 11 016

Compressed Air Tank 1

40 / 276 x 740 / 15 bar

OE NO.	20904411

SPECIFICATIONS

Capacity [Litre]	40
Diameter [mm]	276
Distance / Ø [mm]	120
Length [mm]	740
Material	Steel
Number of Connecting Elements on Each Side	3
Operating Pressure [bar]	15
Threaded Connection	M22x1,5

USE

Compressed air sourcing

MODEL

FE



TRUCKEXPERT NO.

480 77 016

Compressed Air Tank 1

40 / 276 x 740 / 15 bar

OE NO.	7421904411

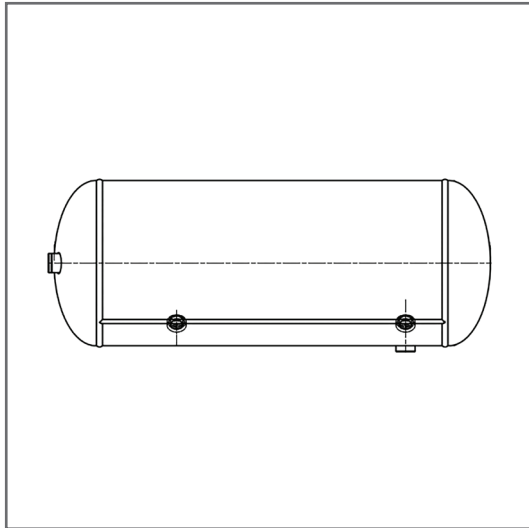
SPECIFICATIONS

Capacity [Litre]	40
Diameter [mm]	276
Distance / Ø [mm]	120
Length [mm]	740
Material	Steel
Number of Connecting Elements on Each Side	3
Operating Pressure [bar]	15
Threaded Connection	M22x1,5

USE

Compressed air sourcing

MODEL



TRUCKEXPERT NO.

480 77 017

Compressed Air Tank 1

40 / 276 x 740 / 15 bar

OE NO.	5010525149

SPECIFICATIONS

Capacity [Litre]	40
Diameter [mm]	276
Distance / Ø [mm]	120
Length [mm]	740
Material	Steel
Number of Connecting Elements on Each Side	3
Operating Pressure [bar]	15
Threaded Connection	M22x1,5

USE

Compressed air sourcing

MODEL



TRUCKEXPERT NO.

480 44 037

Compressed Air Tank 1

40 / 276 x 757,5 / 15,5 bar

OE NO.	0054322501

SPECIFICATIONS

Capacity [Litre]	40
Diameter [mm]	276
Distance / Ø [mm]	120
Length [mm]	757,5
Material	Steel
Number of Connecting Elements on Each Side	3
Operating Pressure [bar]	15,5
Plug Execution	Voss 232
Threaded Connection	M22x1,5

USE

Compressed air sourcing

MODEL

Actros, Actros MP4, Antos, Arocs, Atego, Atego up to 18 t, Axor,
 ComfortClass 400, Eonic, Integro, MultiClass 400, S 411, S 412,
 S 415, S 416, S 417, S 419, TopClass 400, Tourismo, Travego



TRUCKEXPERT NO.

480 00 079

Compressed Air Tank 1

40 / 276 x 758 / 15,5 bar

OE NO.	11117328

SPECIFICATIONS

Capacity [Litre]	40
Diameter [mm]	276
Distance / Ø [mm]	120
Length [mm]	758
Material	Steel
Number of Connecting Elements on Each Side	2
Operating Pressure [bar]	15,5
Threaded Connection	M22x1,5

USE

Compressed air sourcing

MODEL



TRUCKEXPERT NO.

480 44 038

Compressed Air Tank 1

45 / 276 x 843,5 / 15,5 bar

OE NO.	0054322801

SPECIFICATIONS

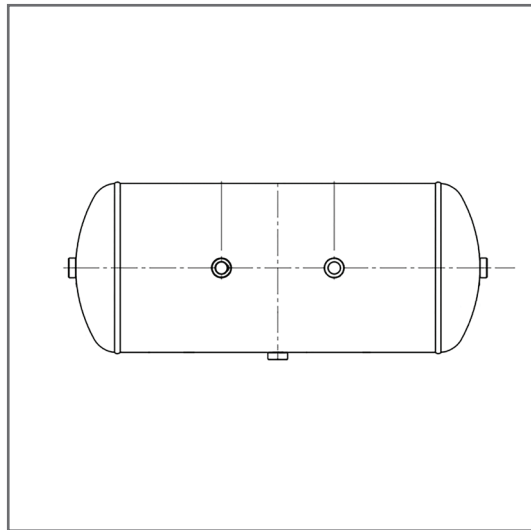
Capacity [Litre]	45
Diameter [mm]	276
Distance / Ø [mm]	120
Length [mm]	843,5
Material	Steel
Number of Connecting Elements on Each Side	3
Operating Pressure [bar]	15,5
Plug Execution	Voss 232
Threaded Connection	M22x1,5

USE

Compressed air sourcing

MODEL

Actros, Axor, Eonic



TRUCKEXPERT NO.

480 00 081

Compressed Air Tank 1
45 / 300 x 740 / 12,5 bar

OE NO.	N/A

SPECIFICATIONS

Capacity [Litre]	45
Diameter [mm]	300
Length [mm]	740
Material	Steel
Number of Connecting Elements on Each Side	1
Operating Pressure [bar]	12,5
Threaded Connection	M22x1,5

USE

Compressed air sourcing

MODEL

CF 75, CF 75IV, CF 85, CF 85IV, XF 95, XF 105



TRUCKEXPERT NO.

480 11 017

Compressed Air Tank 1

50 / 396 x 495 / 15 bar

OE NO.	20579608

SPECIFICATIONS

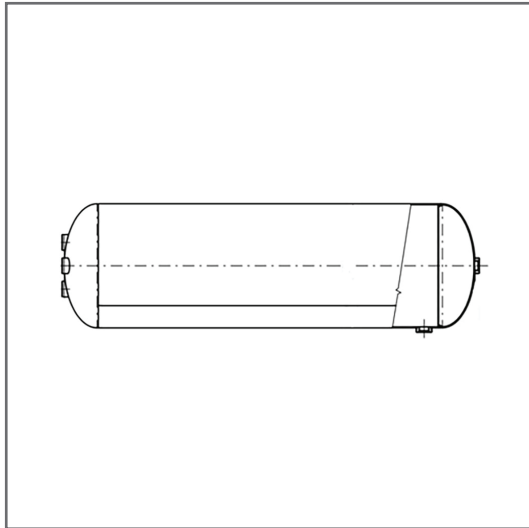
Capacity [Litre]	50
Diameter [mm]	396
Distance / Ø [mm]	280
Length [mm]	495
Material	Steel
Number of Connecting Elements on Each Side	2
Operating Pressure [bar]	15
Threaded Connection	M22x1,5

USE

Compressed air sourcing

MODEL

FH, FH 12, FH 16, FM, FM 9, FM 12



TRUCKEXPERT NO.

480 11 018

Compressed Air Tank 1

50 / 276 x 931 / 15 bar

OE NO.	20984637

SPECIFICATIONS

Capacity [Litre]	45
Diameter [mm]	276
Length [mm]	931
Material	Steel
Number of Connecting Elements on Each Side	3
Operating Pressure [bar]	15
Pitch Circle Ø [mm]	120
Threaded Connection	M22x1,5

USE

Compressed air sourcing

MODEL

FH, FM



TRUCKEXPERT NO.

480 44 039

Compressed Air Tank 1

60 / 276 x 1108 / 15,5 bar

OE NO.	0034322701

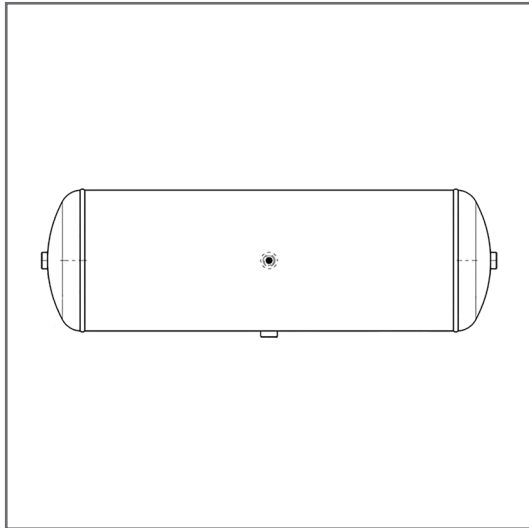
SPECIFICATIONS

Capacity [Litre]	60
Diameter [mm]	276
Distance / Ø [mm]	120
Length [mm]	1108
Material	Steel
Number of Connecting Elements on Each Side	2
Operating Pressure [bar]	15,5
Threaded Connection	M22x1,5

USE

Compressed air sourcing

MODEL



TRUCKEXPERT NO.

480 77 018

Compressed Air Tank 1
60 / 300 x 966 / 12,5 bar

OE NO.	5021170393

SPECIFICATIONS

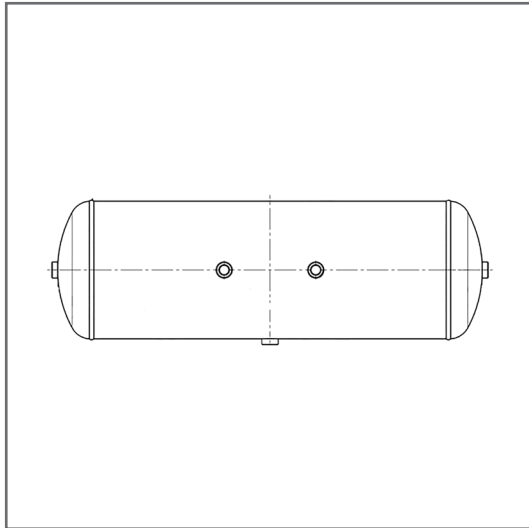
Capacity [Litre]	60
Diameter [mm]	300
Length [mm]	966
Material	Steel
Number of Connecting Elements on Each Side	1
Operating Pressure [bar]	12,5
Threaded Connection	M22x1,5

USE

Compressed air sourcing

MODEL

--



TRUCKEXPERT NO.

480 00 082

Compressed Air Tank 1
60 / 300 x 950 / 12,5 bar

OE NO.	N/A

SPECIFICATIONS

Capacity [Litre]	60
Diameter [mm]	300
Length [mm]	950
Material	Steel
Number of Connecting Elements on Each Side	1
Operating Pressure [bar]	12,5
Threaded Connection	M22x1,5

USE

Compressed air sourcing

MODEL

--



TRUCKEXPERT NO.

480 00 083

Compressed Air Tank 1
60 / 310 x 880 / 12,5 bar

OE NO.	1506421

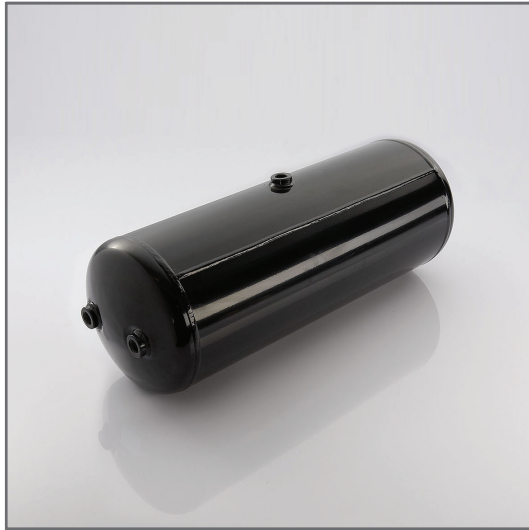
SPECIFICATIONS

Capacity [Litre]	60
Diameter [mm]	310
Distance / Ø [mm]	120
Length [mm]	880
Material	Steel
Number of Connecting Elements on Each Side	2
Operating Pressure [bar]	12,5
Threaded Connection	M22x1,5

USE

Compressed air sourcing

MODEL



TRUCKEXPERT NO.

480 00 084

Compressed Air Tank 1

60 / 396 x 580 / 10 bar

OE NO.	1524577

SPECIFICATIONS

Capacity [Litre]	60
Diameter [mm]	396
Distance / Ø [mm]	120
Length [mm]	580
Material	Steel
Number of Connecting Elements on Each Side	2
Operating Pressure [bar]	10
Threaded Connection	M22x1,5

USE

Compressed air sourcing

MODEL



TRUCKEXPERT NO.

480 00 085

Compressed Air Tank 1

60 / 396 x 580 / 12,5 bar

OE NO.	N/A

SPECIFICATIONS

Capacity [Litre]	60
Diameter [mm]	396
Distance / Ø [mm]	120
Length [mm]	580
Material	Steel
Number of Connecting Elements on Each Side	2
Operating Pressure [bar]	12,5
Threaded Connection	M22x1,5

USE

Compressed air sourcing

MODEL



TRUCKEXPERT NO.

480 44 040

Compressed Air Tank 1

60 / 246 x 1369 / 15,5 bar

OE NO.	0054324301

SPECIFICATIONS

Capacity [Litre]	60
Diameter [mm]	246
Distance / Ø [mm]	120
Length [mm]	1369
Material	Steel
Number of Connecting Elements on Each Side	3
Operating Pressure [bar]	15,5
Plug Execution	Voss 232
Threaded Connection	M22x1,5

USE

Compressed air sourcing

MODEL

Actros, Atego up to 18 t, Axor, Eonic



TRUCKEXPERT NO.

480 00 086

Compressed Air Tank 1
60 / 246 x 1365 / 15 bar

OE NO.	N/A

SPECIFICATIONS

Capacity [Litre]	60
Diameter [mm]	246
Distance / Ø [mm]	120
Length [mm]	1365
Material	Steel
Number of Connecting Elements on Each Side	2
Operating Pressure [bar]	15
Threaded Connection	M22x1,5

USE

Compressed air sourcing

MODEL

Lions Classic, Lions Coach, Lions Regio, Lions Star, NM, SG, SL,
SUE, Tourliner, Trendliner



TRUCKEXPERT NO.

480 44 041

Compressed Air Tank 1

60 / 246 x 1369 / 15,5 bar

OE NO.	54323701

SPECIFICATIONS

Capacity [Litre]	60
Diameter [mm]	246
Distance / Ø [mm]	120
Length [mm]	1365
Material	Steel
Number of Connecting Elements on Each Side	3
Operating Pressure [bar]	15,5
Plug Execution	Voss 232
Threaded Connection	M22x1,5

USE

Compressed air sourcing

MODEL

Actros, Atego up to 18 t, Axor, Eonic



TRUCKEXPERT NO.

480 00 060

Compressed Air Tank 1

60 / 276 x 1108 / 15,5 bar

OE NO.	1505417

SPECIFICATIONS

Capacity [Litre]	60
Diameter [mm]	276
Distance / Ø [mm]	120
Length [mm]	1108
Material	Steel
Number of Connecting Elements on Each Side	2
Operating Pressure [bar]	15,5
Threaded Connection	M22x1,5

USE

Compressed air sourcing

MODEL

Universal



TRUCKEXPERT NO.

480 00 088

Compressed Air Tank 1

80 / 310 x 1150 / 12,5 bar

OE NO.	N/A

SPECIFICATIONS

Capacity [Litre]	80
Diameter [mm]	310
Distance / Ø [mm]	120
Length [mm]	1150
Material	Steel
Number of Connecting Elements on Each Side	2
Operating Pressure [bar]	12,5
Threaded Connection	M22x1,5

USE

Compressed air sourcing

MODEL



TRUCKEXPERT NO.

480 55 011

Compressed Air Tank 1

80 / 396 x 750 / 12,5 bar

OE NO.	5801545818

SPECIFICATIONS

Capacity [Litre]	80
Diameter [mm]	396
Distance / Ø [mm]	120
Length [mm]	750
Material	Steel
Number of Connecting Elements on Each Side	2
Operating Pressure [bar]	12,5
Threaded Connection	M22x1,5

USE

Compressed air sourcing

MODEL



TRUCKEXPERT NO.

480 00 089

Compressed Air Tank 1

80 / 396 x 742 / 10 bar

OE NO.	N/A

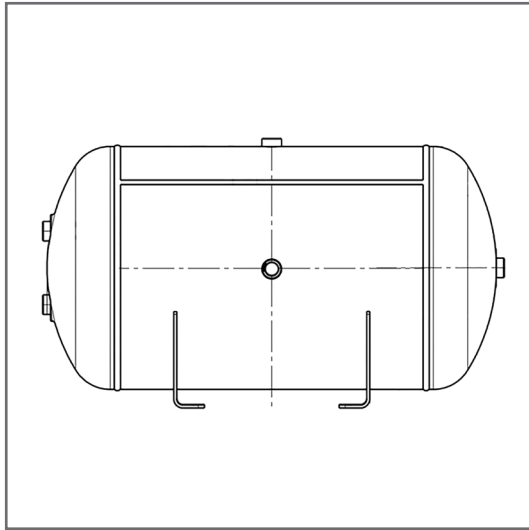
SPECIFICATIONS

Capacity [Litre]	80
Diameter [mm]	396
Distance / Ø [mm]	120
Length [mm]	742
Material	Steel
Number of Connecting Elements on Each Side	2
Operating Pressure [bar]	10
Plug Execution	Voss 232
Threaded Connection	M22x1,5

USE

Compressed air sourcing

MODEL



TRUCKEXPERT NO.

480 00 090

Compressed Air Tank 1

80 / 396 x 750 / 10 bar

OE NO.	N/A

SPECIFICATIONS

Capacity [Litre]	80
Diameter [mm]	396
Distance / Ø [mm]	120
Length [mm]	750
Material	Steel
Number of Connecting Elements on Each Side	2
Operating Pressure [bar]	10
Plug Execution	Voss 232
Threaded Connection	M22x1,5

USE

Compressed air sourcing

MODEL



TRUCKEXPERT NO.

480 00 091

Compressed Air Tank 1

85 / 276 x 1500 / 12,5 bar

OE NO.	N/A

SPECIFICATIONS

Capacity [Litre]	85
Diameter [mm]	276
Distance / Ø [mm]	120
Length [mm]	1500
Material	Steel
Number of Connecting Elements on Each Side	2
Operating Pressure [bar]	12,5
Threaded Connection	M22x1,5

USE

Compressed air sourcing

MODEL



TRUCKEXPERT NO.

480 22 013

Compressed Air Tank 1
100 / 396 x 915 / 10 bar

OE NO.	1935520

SPECIFICATIONS

Capacity [Litre]	100
Diameter [mm]	396
Distance / Ø [mm]	120
Length [mm]	915
Material	Steel
Number of Connecting Elements on Each Side	2
Operating Pressure [bar]	10
Threaded Connection	M22x1,5

USE

Compressed air sourcing

MODEL



TRUCKEXPERT NO.

480 00 092

Compressed Air Tank 1

120 / 396 x 1055 / 10 bar

OE NO.	N/A

SPECIFICATIONS

Capacity [Litre]	120
Diameter [mm]	396
Distance / Ø [mm]	120
Length [mm]	1055
Material	Steel
Number of Connecting Elements on Each Side	2
Operating Pressure [bar]	10
Threaded Connection	M22x1,5

USE

Compressed air sourcing

MODEL



OSMANLI OTOMOTİV SAN. VE TİC. LTD. ŞTİ

HEAD OFFICE

Dolapdere San. Sit. 13. Ada No:22 İkitelli / İSTANBUL
Tel : +90 212 671 07 71 Faks : +90 212 671 06 56
e-mail: info@Lkwexpert.com

WAREHOUSE

Velimeşe Organize Sanayi Bölgesi Hacı Şeremet Mevkii
5. Sokak No: 10/14 - 2 Ergene / TEKİRDAĞ
Tel : +90 282 676 43 50-51

SALES OFFICE

Bağdat Cad. Kuruçayırılı Sanayi Sitesi 1167 Sokak
No:11 Ostim / ANKARA
Tel : +90 312 385 87 78 Faks : +90 312 386 12 56

SALES OFFICE

5.Sanayi Sitesi 7419/12 Sokak No:35/37
Pınarbaşı Bornova / İZMİR
Tel : +90 232 479 95 95 Faks : +90 232 479 80 97

FACTORY

Kobisan 2 Sanayi Sitesi Fevzi Çakmak Mahallesi10762
Sokak C Blok No:7J-7K Karatay / KONYA
Tel : +90 332 501 97 77 Faks : +90 332 501 97 78

WWW.TRUCKEXPERT-X.COM